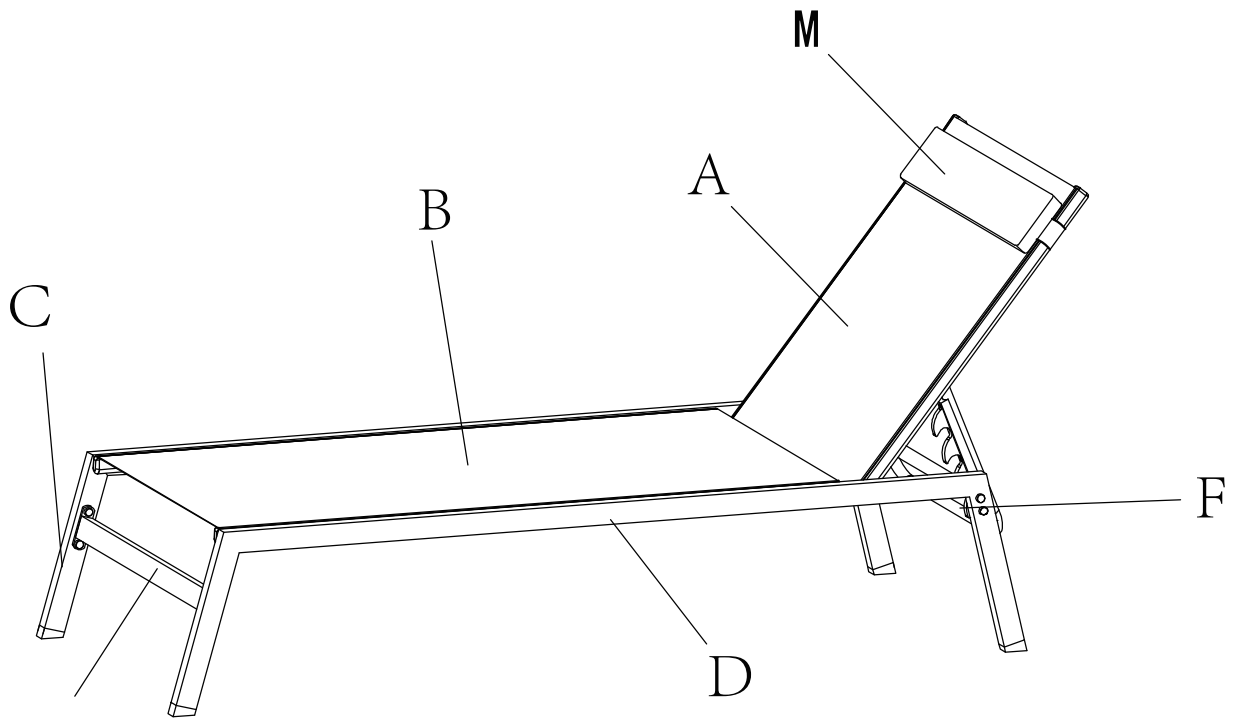


TGLSTL0059_Bill of Material



part	Designation	Material	Dimension(mm)	Quantity
A	Backrest	steel Q195 + texilene cover	674x563x77 ± 5%	1
B	Seat	steel Q195 + texilene cover	1196x566x77 ± 5%	1
C	Leg	Steel Q195	1643x326x20 ± 5%	1
D	Leg	Steel Q195	1643x326x20 ± 5%	1
E	Tube	Steel Q195	570x80x20 ± 5%	1
F	Tube	Steel Q195	570x50x25 ± 5%	1
M	Pillow	Texilene + Filling PP cotton	530x200x55 ± 5%	1
	Screw set	Galvanized screw + screw caps + tool	M6x30: 2pcs M6x30: 2pcs M6x16: 4pcs M6x35: 12pcs K: 2pcs L: 1pc	1set

