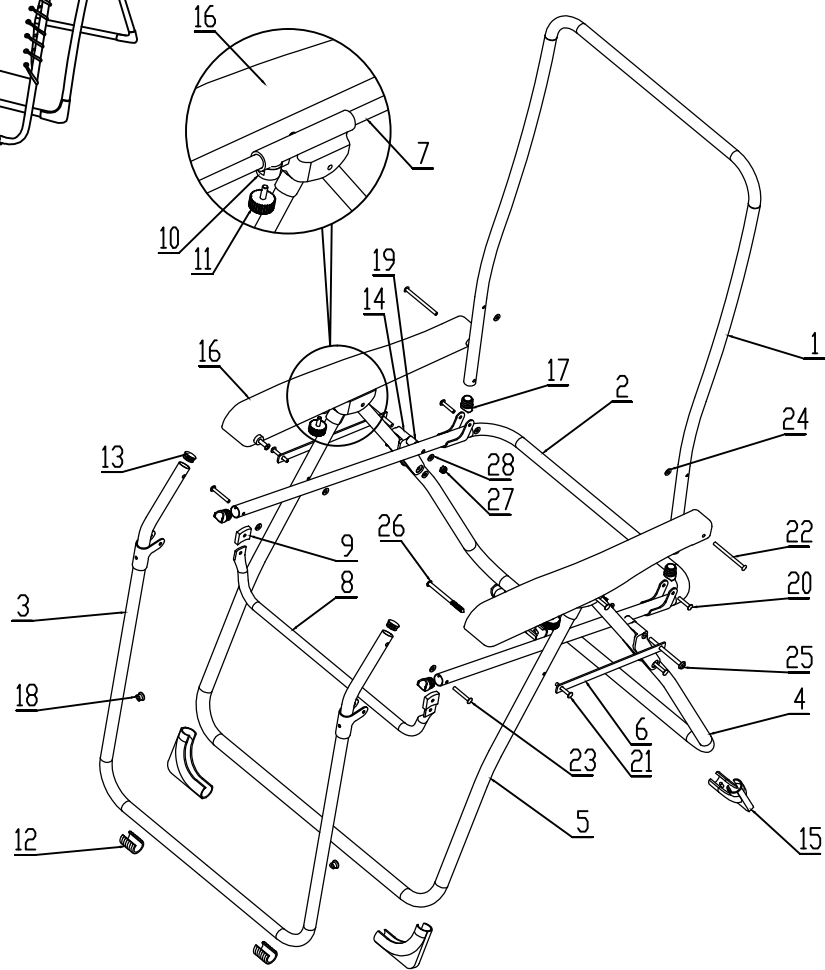
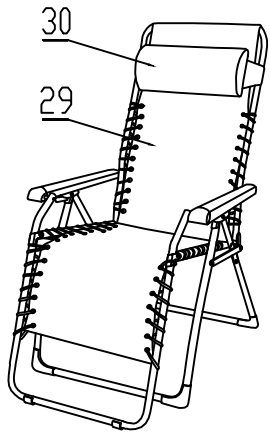


3276007102918_2895_0778_2871_2901_0785_2888_GCS1041_2D&BOM



part	Designation	Material	Dimension(mm)	Quantity
30	pillow	Texilene + PP cotton filling	390*160*70 ± 5%	1
29	cover	Texilene	440x1610 ± 5%	1
28	plain washer	galvanized steel	D6 ±1	4
27	locknut	galvanized steel	M6 ±1	2
26	screw	galvanized steel	ST6.3*85 ± 5%	2
25	screw	galvanized steel	M6*77 ± 5%	2
24	plain washer	galvanized steel	D5 ±1	12
23	rebite	alum	D5*37 ± 5%	4
22	rebite	alum	D5*73 ± 5%	2
21	rebite	alum	D5*33 ± 5%	4
20	rebite	alum	D5*27 ± 5%	2
19	plastic washer	PP	not suitable	2
18	plastic washer	PP	not suitable	2
17	cap	PP	not suitable	4
16	armrest	PP	not suitable	2
15	leg corner	PP	not suitable	4
14	part	PP	not suitable	2
13	cap	PP	not suitable	2
12	leg protector	PP	not suitable	2
11	adjust screw	PP+galvanized steel	not suitable	2
10	ring	PP	not suitable	2
9	cap	PP	not suitable	2
8	connection tube	steel Q195	D16*1.0 ± 5%	1
7	tube	galvanized steel	D16*1.1 ± 5%	2
6	connect part	steel Q195	15X25 ± 5%	2
5	front leg	steel Q195	D22*0.8 ± 5%	1
4	back leg	steel Q195	D22*1.0 ± 5%	1
3	footrest	steel Q195	D20*0.8 ± 5%	1
2	seat	steel Q195	D20*1.0 ± 5%	1
1	back	steel Q195	D20*0.8 ± 5%	1