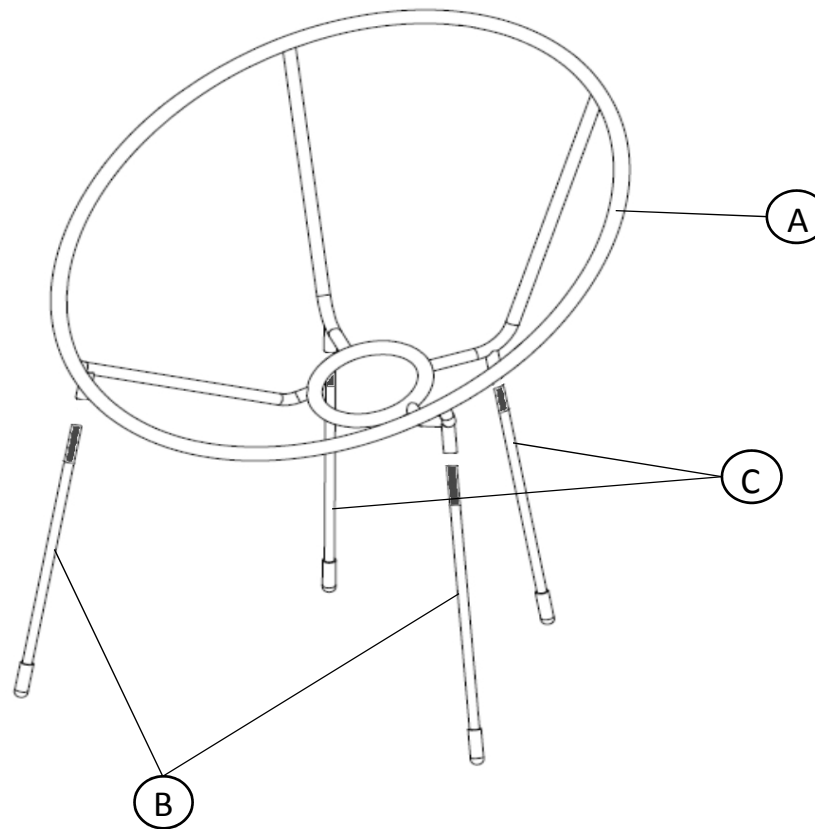


# FAUTEUIL ACAPULCO - VUE ÉCLATÉE



**A** x1  
889939A

**B** x2  
889939B

L46.5cm

**C** x2  
889939C

L45.5cm

POSITION	QTE	REFERENCE	DESIGNATION
A	1	889939A	ASSISE
B	2	889939B	PIEDS AVANT
C	2	889939C	PIEDS ARRIERE

EAN Code : 3267070009440 / 3267070009457 / 3267070009471 / 3267070009464 - FAUTEUIL ACAPULCO