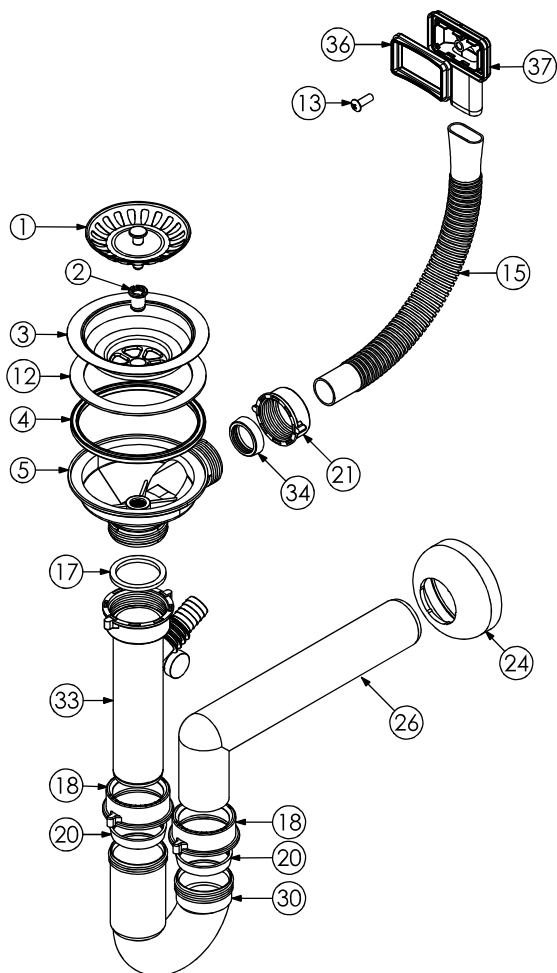


| | | | | | |
|------|--|-----|----------|------|-------------|
| 37 | UK: RECTANGULAR OVERFLOW HEAD FR: TETE DE TROP-PLEIN RECTANGULAIRE | 1 | PP | | S7338 |
| 36 | UK: GASKET DOUBLE-FACE (FLAT AND CONCAVE) FOR RECTANGULAR OVERFLOW FR: JOINT DOUBLE-FACE (PLAT ET CONCAVE) POUR TROP-PLAIN RECTANGULAIRE | 1 | PVC | | S7337 |
| 34 | UK: CONICAL GASKET FOR WHITE FLEXIBLE PIPE FR: JOINT CONIQUE POUR TUYAU FLEXIBLE | 1 | PVC | | S7160 |
| 33 | UK: CONNECTION PIPE WITH INTEGRATED DISHWASHER CONNECTION AND FIXING NUT FR: RACCORDEMENT AVEC PRISE POUR LAVE-VAISSELLE INTEGRE' ET ECROU DE FISSAGE | 1 | PP | | S6550/G |
| 30 | UK: U CURVED PIPE D. 40 FR: COUDE A U D. 40 | 1 | PP | | S6206 |
| 26 | UK: OUTLET CURVED PIPE 90° INT L.225 FR: COUDE 90° INT. L. 225 | 1 | PP | | S6158 |
| 24 | UK: WALL COVER ROSE FR: ROSACE | 1 | PP | | S6144 |
| 21 | UK: FIXING NUT D. 32 FR: ECROU DE FISSAGE D. 32 | 1 | PP | | S6131 |
| 20 | UK: CONICAL GASKET D. 40 FR: JOINT CONIQUE D. 40 | 2 | PE | | S6127 |
| 18 | UK: FIXING NUT 1"1/2 D. 46 FR: ECROU DE FISSAGE 1"1/2 D. 46 | 2 | PP | | S6028 |
| 17 | UK: FLAT ROUND GASKET FOR SIPHON FR: JOINT PLAT POUR SIPHON | 1 | PP | | S6026 |
| 15 | UK: WHITE FLEXIBLE PIPE FR: TUYAU FLEXIBLE | 1 | | | A7483 |
| 13 | UK: SCREW M6 X 16 T 1/2 CROSS D. 10 X 2,5 A2 FR: VIS M6 X 16 T 1/2 CROIX D. 10 X 2,5 A2 | 1 | | | A6929 |
| 12 | UK: WHITE GASKET M.M. 1.5 FOR 3"1/2 WASTE FR: JOINT BLANC M.M 1.5 POUR BONDE 3"1/2 | 1 | | | A6197 |
| 5 | UK: 3"1/2 WASTE WITH METAL INSERT WITH OVERFLOW OUTLET FR: BONDE 3"1/2 AVEC INSERT METALLIQUE ET SORTIE POUR TROP-PLEIN | 1 | PP | | S7071 |
| 4 | UK: ROUND GASKET FOR 3"1/2 WASTE FR: JOINT POUR LA BONDE 3"1/2 | 1 | PVC | | S7295 |
| 3 | UK: 3"1/2 WASTE FLANGE FR: 3"1/2 COUPELLE INOX | 1 | AISI 304 | | S7086/B |
| 2 | UK: FIXING SCREW 1,75 X 17 FOR FLANGE FR: VIS DE FISSAGE POUR FLANGE 1,75 X 17 | 1 | CW614N | | A6252/17 |
| 1 | UK: BASKET STRAINER FR: PANIER | 1 | AISI 304 | | S7184/01 |
| Item | Title | Qty | Material | Part | Part_Number |

BILL OF MATERIALS / LISTE DES COMPOSANTS



| | | | | | |
|------|--|-----|----------|------|-------------|
| 37 | UK: RECTANGULAR OVERFLOW HEAD FR: TETE DE TROP-PLEIN RECTANGULAIRE | 1 | PP | | S7338 |
| 36 | UK: GASKET DOUBLE-FACE (FLAT AND CONCAVE) FOR RECTANGULAR OVERFLOW FR: JOINT DOUBLE-FACE (PLAT ET CONCAVE) POUR TROP-PLAIN RECTANGULAIRE | 1 | PVC | | S7337 |
| 34 | UK: CONICAL GASKET FOR WHITE FLEXIBLE PIPE FR: JOINT CONIQUE POUR TUYAU FLEXIBLE | 1 | PVC | | S7160 |
| 33 | UK: CONNECTION PIPE WITH INTEGRATED DISHWASHER CONNECTION AND FIXING NUT FR: RACCORDEMENT AVEC PRISE POUR LAVE-VAISSELLE INTEGRE' ET ECROU DE FISSAGE | 1 | PP | | S6550/G |
| 30 | UK: U CURVED PIPE D. 40 FR: COUDE A U D. 40 | 1 | PP | | S6206 |
| 26 | UK: OUTLET CURVED PIPE 90° INT L.225 FR: COUDE 90° INT. L. 225 | 1 | PP | | S6158 |
| 24 | UK: WALL COVER ROSE FR: ROSACE | 1 | PP | | S6144 |
| 21 | UK: FIXING NUT D. 32 FR: ECROU DE FISSAGE D. 32 | 1 | PP | | S6131 |
| 20 | UK: CONICAL GASKET D. 40 FR: JOINT CONIQUE D. 40 | 2 | PE | | S6127 |
| 18 | UK: FIXING NUT 1"1/2 D. 46 FR: ECROU DE FISSAGE 1"1/2 D. 46 | 2 | PP | | S6028 |
| 17 | UK: FLAT ROUND GASKET FOR SIPHON FR: JOINT PLAT POUR SIPHON | 1 | PP | | S6026 |
| 15 | UK: WHITE FLEXIBLE PIPE FR: TUYAU FLEXIBLE | 1 | | | A7483 |
| 13 | UK: SCREW M6 X 16 T 1/2 CROSS D. 10 X 2,5 A2 FR: VIS M6 X 16 T 1/2 CROIX D. 10 X 2,5 A2 | 1 | | | A6929 |
| 12 | UK: WHITE GASKET M.M. 1.5 FOR 3"1/2 WASTE FR: JOINT BLANC M.M 1.5 POUR BONDE 3"1/2 | 1 | | | A6197 |
| 5 | UK: 3"1/2 WASTE WITH METAL INSERT WITH OVERFLOW OUTLET FR: BONDE 3"1/2 AVEC INSERT METALLIQUE ET SORTIE POUR TROP-PLEIN | 1 | PP | | S7071 |
| 4 | UK: ROUND GASKET FOR 3"1/2 WASTE FR: JOINT POUR LA BONDE 3"1/2 | 1 | PVC | | S7295 |
| 3 | UK: 3"1/2 WASTE FLANGE FR: 3"1/2 COUPELLE INOX | 1 | AISI 304 | | S7086/B |
| 2 | UK: FIXING SCREW 1,75 X 17 FOR FLANGE FR: VIS DE FISSAGE POUR FLANGE 1,75 X 17 | 1 | CW614N | | A6252/17 |
| 1 | UK: BASKET STRAINER FR: PANIER | 1 | AISI 304 | | S7184/01 |
| Item | Title | Qty | Material | Part | Part_Number |

BILL OF MATERIALS / LISTE DES COMPOSANTS