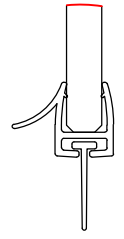


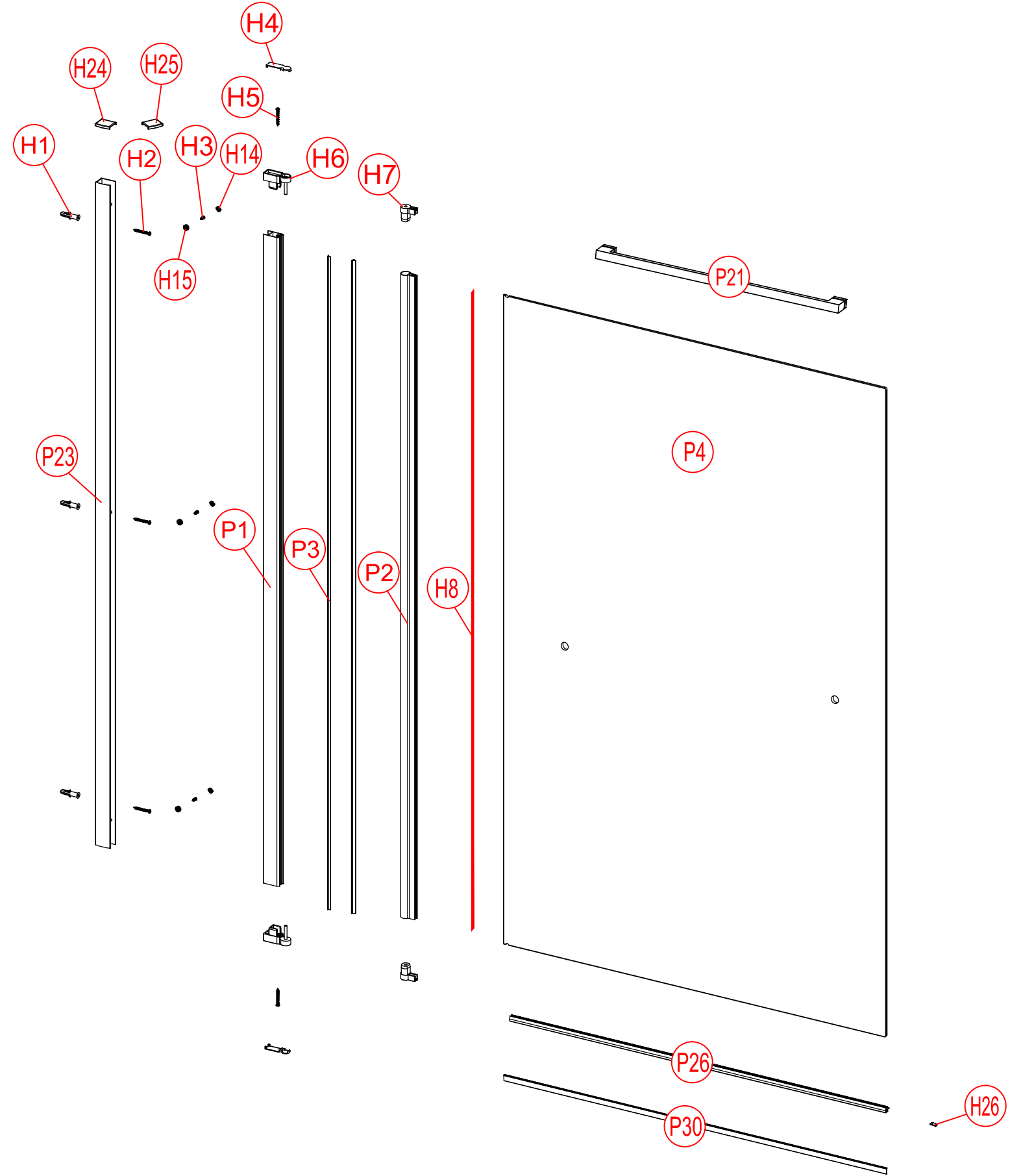
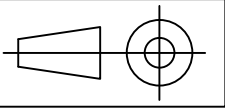
A-A



B-B

H26	0401826	1	PVC
H25	0401741	1	ABS
H24	0401740	1	ABS
H15	2301007-2	3	ABS
H14	2301007-1	3	ABS
H3	2001051	3	SS
H2	2001111	3	SS
H1	2005004	3	PP
P21	1002063	1	SS
P30	0202530845	1	PVC
P26	0202520830	1	PVC
P24	LR70090050S02	1	Glass
P23	3205011400D1	1	Aluminium
NO.	SPARE PARTS	QTY	Material

00				Ningbo Guanghe Sanitary Ware Co., Ltd. Tel: 0574-88168960 Fax: 0574-87588324		
REV	Modification		DEL	Modification No	MODEL: II Exploded Views	SCALE: 1:15
	NAME:	DATE:			DWG. NO. REBS90SC	UNIT: mm
DRAWN	610	2020.03.30			Controlled range: 050	SHEET 1 of 13
CHECKED	312	2020.03.30				
ENG APPR	529	2020.03.30				
MFG APPR	862	2020.03.30				



H3	2001051	3	SS	H26	0401826	1	PVC
H2	2001111	3	SS	H25	0401741	1	ABS
H1	2005004	3	PP	H24	0401740	1	ABS
P21	1002063	1	SS	H15	2301007-2	3	ABS
P30	0202530845	1	PVC	H14	2301007-1	3	ABS
P26	0202520830	1	PVC	H8	2404001		SILICON
P4	2905050139	1	Glass	H7	0401814GR	2	Nylon
P23	3205011400D1	1	Aluminium	H6	0402813	2	ZAC
P3	0202271382GR	2	PVC	H5	2001099	2	SS
P2	3202541358D1	1	Aluminium	H4	0401815	2	ABS
P1	3205021370D1	1	Aluminium				
NO.	SPARE PARTS	QTY	Material	NO.	SPARE PARTS	QTY	Material

				Ningbo Guanghe Sanitary Ware Co.,Ltd. Tel: 0574-88168960 Fax: 0574-87588324				
00								
REV	Modification			DEL	Modification No		MODEL: III Exploded Views	SCALE: 1:15
	NAME:	DATE:						
DRAWN	610	2020.03.30						
CHECKED	312	2020.03.30						
ENG APPR	529	2020.03.30						
MFG APPR	862	2020.03.30						
				DWG. NO.		UNIT: mm		
				REBS90SC		SHEET		
				Controlled range:		2 of 13		
				050				