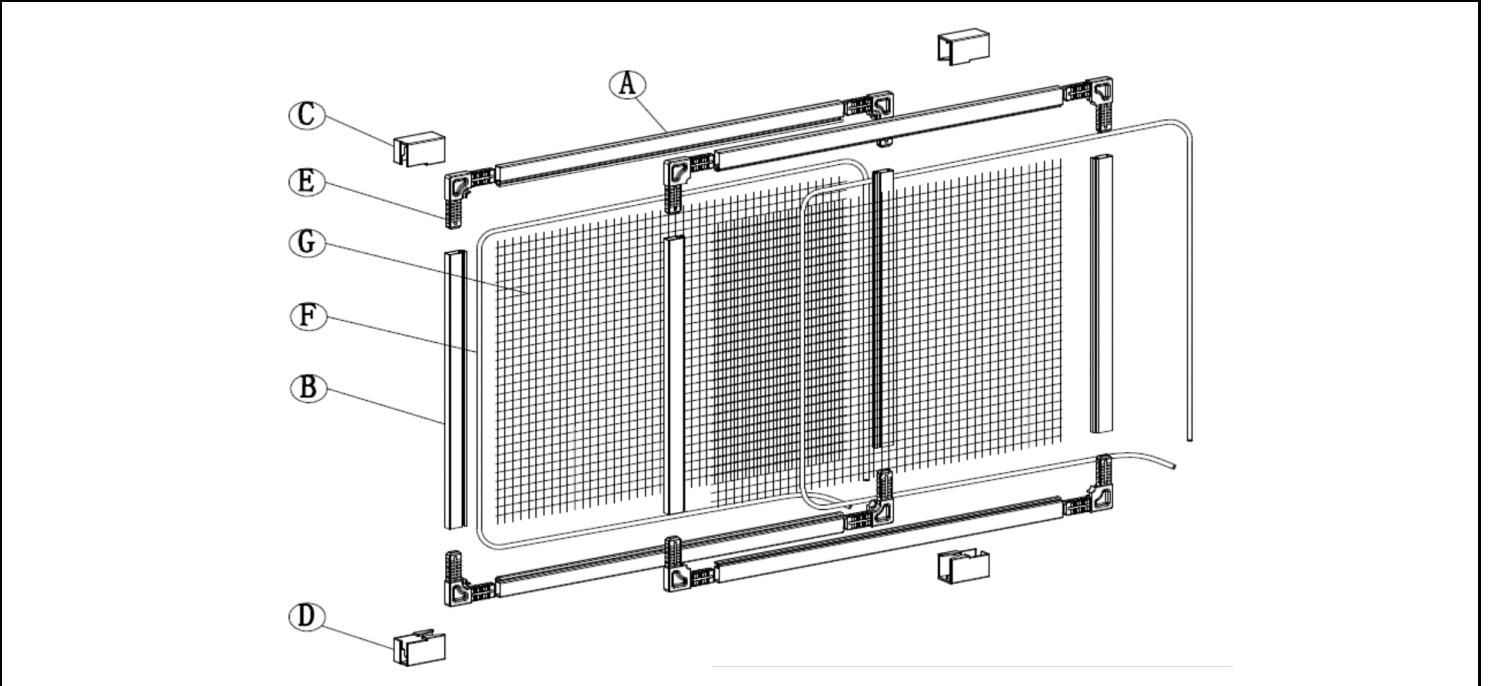


BOM List for Products

ADEO Ref	827693
EAN Code	3276007175042

Explosion Drawing



Parts No.	Quantity	Spec	Material & Surface process
A	4	655mm	Aluminium
B	4	455mm	Aluminium
C	2		PP
D	2		PP
E	8		PP
F	2	2220mm	TPE
G	2	655X455mm	Fiberglass