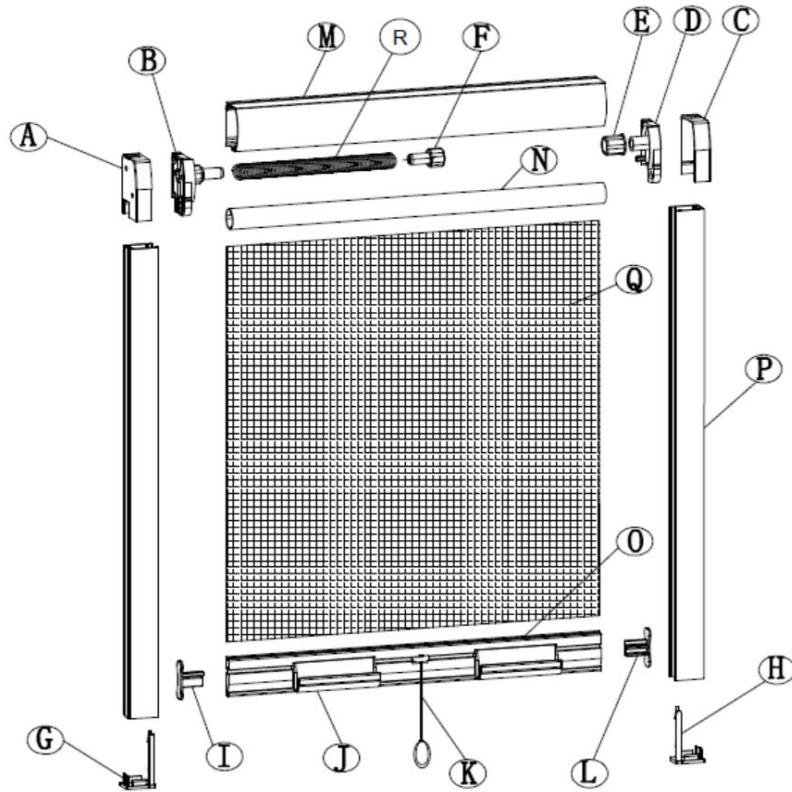


BOM List for Products

ADEO Ref	827727
EAN Code	3276007175233

Explosion Drawing



Parts No.	Quantity	Spec	Material & Surface process
A	1		PA6
B	1		PA6
C	1		PA6
D	1		PA6
E	2		PA6
F	1		PA6
G	1		PA6
H	1		PA6
I	1		PA6
J	1		PA6
K	1		PA6
L	1		PA6
M	1	1579mm	Aluminium
N	1	1579mm	Aluminium
O	1	1579mm	Aluminium
P	2	1550mm	Aluminium
Q	1	1600X1600mm	Fiberglass
R	1	450mm	Spring Steel