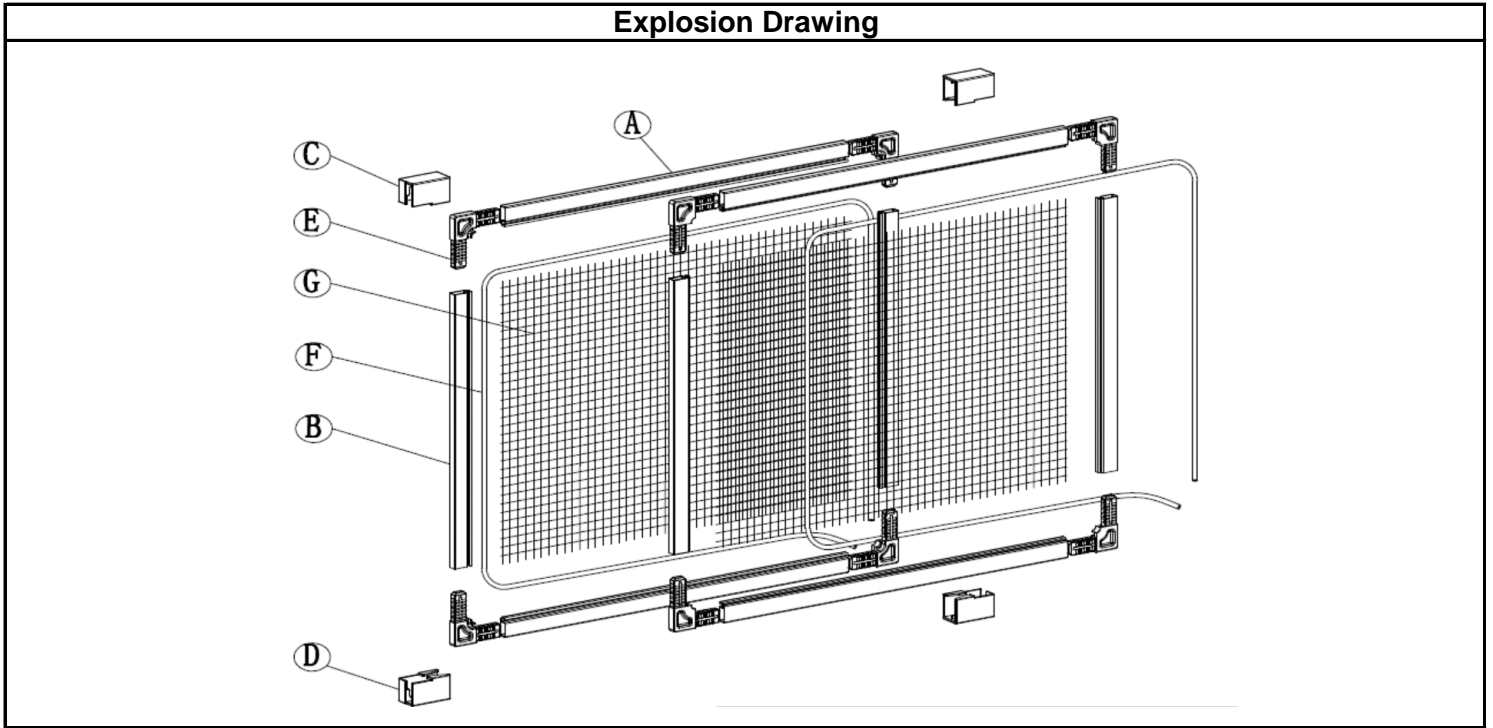


BOM List for Products

ADEO Ref	827729
EAN Code	3276007175066



Parts No.	Quantity	Spec	Material & Surface process
A	4	955mm	Aluminium
B	4	655mm	Aluminium
C	2		PP
D	2		PP
E	8		PP
F	2	3220mm	TPE
G	2	955X655mm	Fiberglass