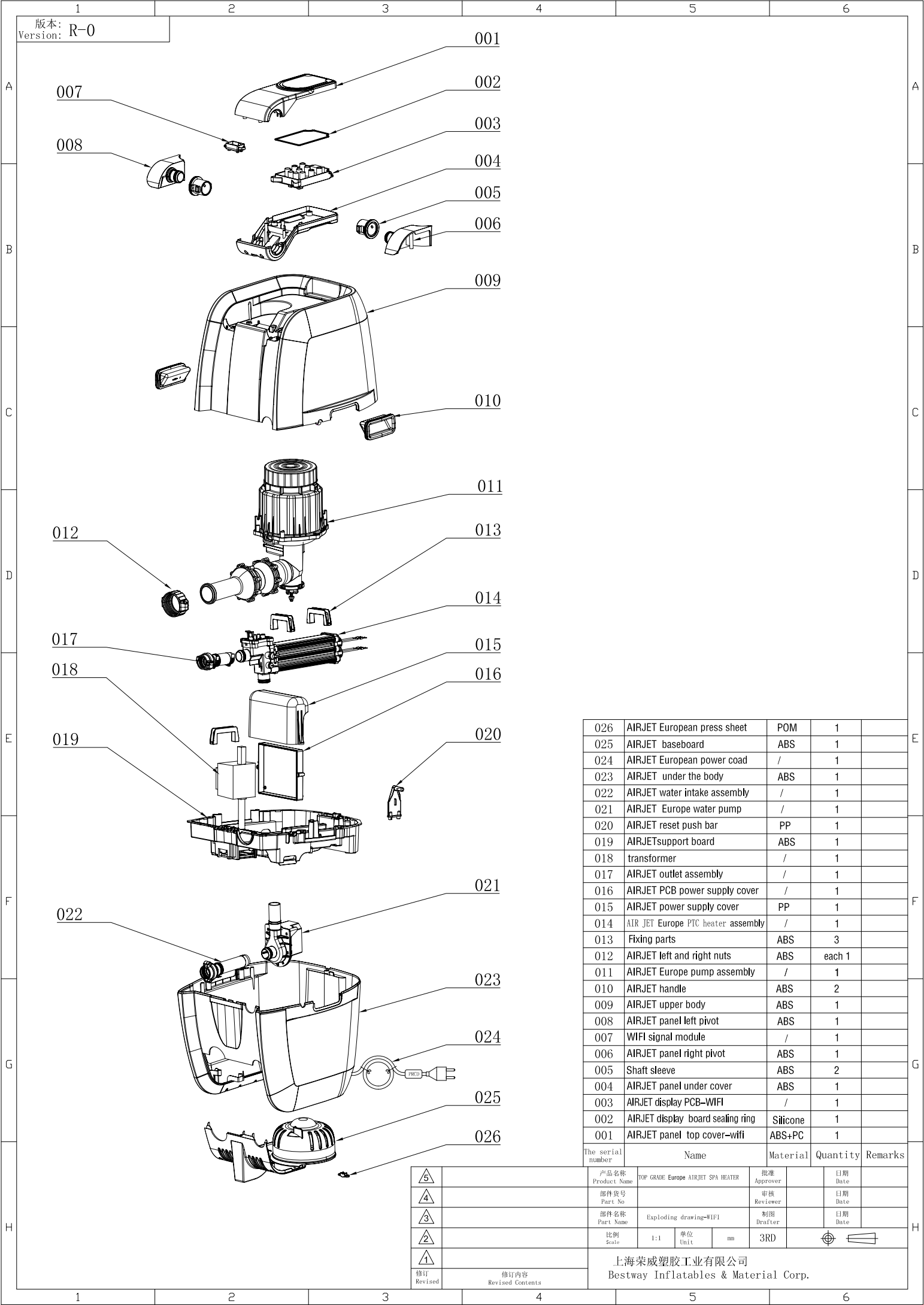


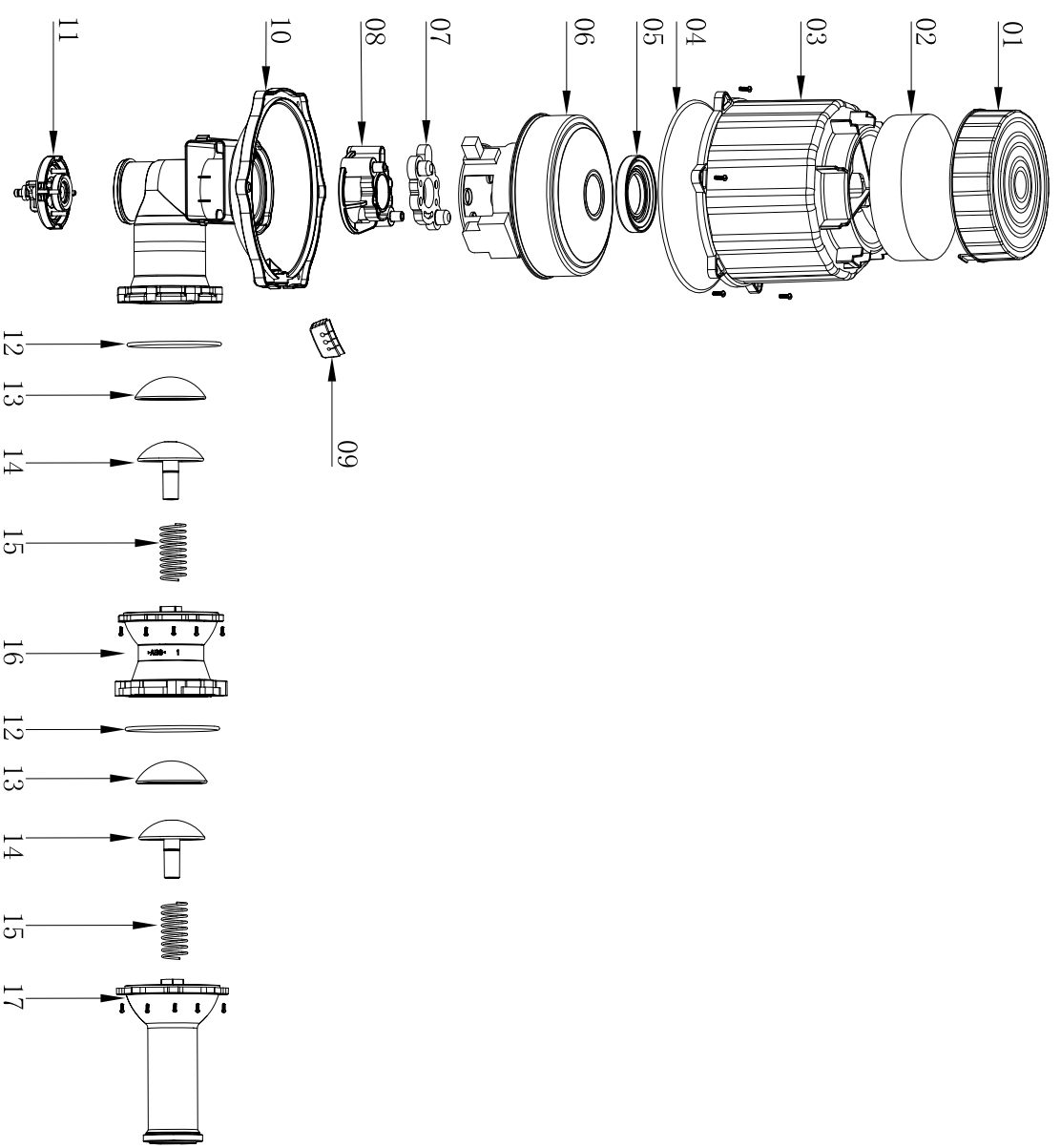
版本: R-0  
Version: R-0



|     |                                   |          |        |  |
|-----|-----------------------------------|----------|--------|--|
| 026 | AIRJET European press sheet       | POM      | 1      |  |
| 025 | AIRJET baseboard                  | ABS      | 1      |  |
| 024 | AIRJET European power cord        | /        | 1      |  |
| 023 | AIRJET under the body             | ABS      | 1      |  |
| 022 | AIRJET water intake assembly      | /        | 1      |  |
| 021 | AIRJET Europe water pump          | /        | 1      |  |
| 020 | AIRJET reset push bar             | PP       | 1      |  |
| 019 | AIRJET support board              | ABS      | 1      |  |
| 018 | transformer                       | /        | 1      |  |
| 017 | AIRJET outlet assembly            | /        | 1      |  |
| 016 | AIRJET PCB power supply cover     | /        | 1      |  |
| 015 | AIRJET power supply cover         | PP       | 1      |  |
| 014 | AIRJET Europe PTC heater assembly | /        | 1      |  |
| 013 | Fixing parts                      | ABS      | 3      |  |
| 012 | AIRJET left and right nuts        | ABS      | each 1 |  |
| 011 | AIRJET Europe pump assembly       | /        | 1      |  |
| 010 | AIRJET handle                     | ABS      | 2      |  |
| 009 | AIRJET upper body                 | ABS      | 1      |  |
| 008 | AIRJET panel left pivot           | ABS      | 1      |  |
| 007 | WIFI signal module                | /        | 1      |  |
| 006 | AIRJET panel right pivot          | ABS      | 1      |  |
| 005 | Shaft sleeve                      | ABS      | 2      |  |
| 004 | AIRJET panel under cover          | ABS      | 1      |  |
| 003 | AIRJET display PCB-WIFI           | /        | 1      |  |
| 002 | AIRJET display board sealing ring | Silicone | 1      |  |
| 001 | AIRJET panel top cover-wifi       | ABS+PC   | 1      |  |

The serial number      Name      Material      Quantity      Remarks

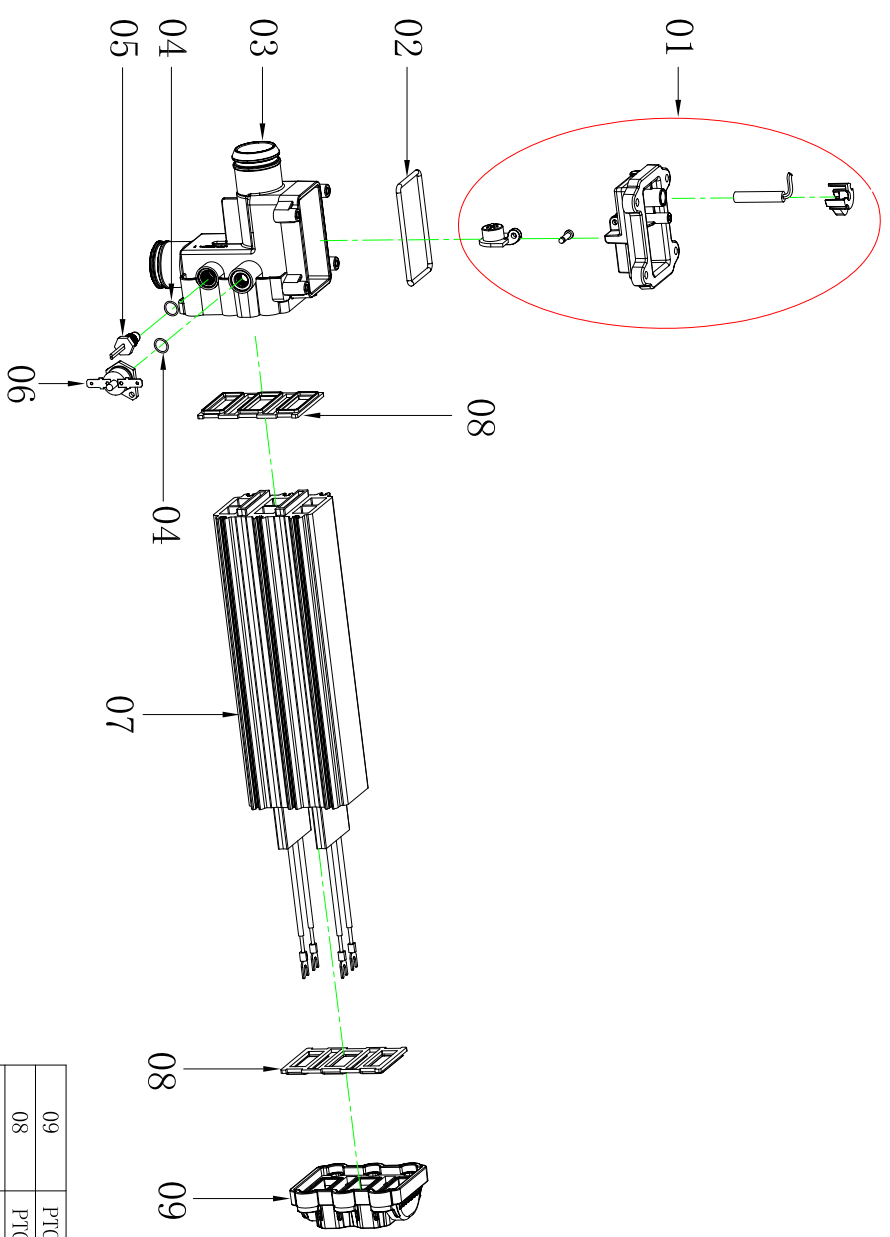
|    |                          |  |            |    |                |            |
|----|--------------------------|--|------------|----|----------------|------------|
| △5 | 产品名称<br>Product Name     | TOP GRADE Europe AIRJET SPA HEATER                   |            |    | 批准<br>Approver | 日期<br>Date |
| △4 | 部件序号<br>Part No          |  |            |    | 审核<br>Reviewer | 日期<br>Date |
| △3 | 部件名称<br>Part Name        | Exploding drawing-WIFI                               |            |    | 制图<br>Drafter  | 日期<br>Date |
| △2 | 比例<br>Scale              | 1:1  | 单位<br>Unit | mm | 3RD            |            |
| △1 | 修订内容<br>Revised Contents | 上海荣成塑胶工业有限公司<br>Bestway Inflatables & Material Corp. |            |    |                |            |



| 017               | SPA long valae stand               | ABS      | 1        |         |
|-------------------|------------------------------------|----------|----------|---------|
| 016               | Air pump check vale body           | ABS      | 1        |         |
| 015               | Air valve spring                   | SUS      | 2        |         |
| 014               | Stem                               | ABS      | 2        |         |
| 013               | Stem seal sleeve                   | Silicone | 2        |         |
| 012               | Air valve seal ring                | Silicone | 2        |         |
| 011               | Drain valve assembly               |          | 1        |         |
| 010               | Air pump motor support             | ABS      | 1        |         |
| 009               | Eaf outlet seal                    | Silicone | 1        |         |
| 008               | Air pump motor positioning support | PP+GF15  | 1        |         |
| 007               | Air pump motor positioning seal    | Silicone | 1        |         |
| 006               | Air pump motor(230V/50HZ)          |          | 1        |         |
| 005               | Motor body shock cushion           | Silicone | 1        |         |
| 004               | Air pump motor body sealing ring   | Silicone | 1        |         |
| 003               | AIRJET air pump motor body         | ABS      | 1        |         |
| 002               | Silencer cotton                    |          | 1        |         |
| 001               | Silencer cotton cover              | PP       | 1        |         |
| The serial number | Name                               | Material | Quantity | Remarks |

|   |      |     |      |
|---|------|-----|------|
| 5 | 修订内容 | 修订人 | 修订日期 |
| 4 | 修订内容 | 修订人 | 修订日期 |
| 3 | 修订内容 | 修订人 | 修订日期 |
| 2 | 修订内容 | 修订人 | 修订日期 |
| 1 | 修订内容 | 修订人 | 修订日期 |

上海荣威塑胶工业有限公司  
Bestway Inflatables & Material Corp.



| 09                | PTC end cover                             | PP+15%GF   | 1        |         |
|-------------------|---|------------|----------|---------|
| 08                | PTC body sealing ring                     | Silicone   | 2        |         |
| 07                | AIRJET European PTC heater                | 230V/2000W | 1        |         |
| 06                | Manually reset temperature controller     |            | 1        |         |
| 05                | Temperature probe                         |            | 1        |         |
| 04                | Temperature sensing probe<br>sealing ring | Silicone   | 2        |         |
| 03                | PTC in and out of the water cover         | PP+15%GF   | 1        |         |
| 02                | Water flow switch seal ring               | Silicone   | 1        |         |
| 01                | Water flow switch assembly                |            | 1        |         |
| The serial number | Name                                      | Material   | Quantity | Remarks |

|   |                      |                             |                |            |
|---|----------------------|-----------------------------|----------------|------------|
| 5 | 产品名称<br>Product Name | TOP GRADE AIRJET SPA HEATER | 批准<br>Approver | 日期<br>Date |
| 4 | 部件编号<br>Part No.     |                             | 审核<br>Reviewer | 日期<br>Date |
| 3 | 部件名称<br>Part Name    | AIR JET Europe PTC HEATER   | 制图<br>Drafter  | 日期<br>Date |
| 2 | 比例<br>Scale          | 1:1                         | 单位<br>Units    | mm         |
| 1 | 修订<br>Revised        | 修订内容<br>Revised Contents    | 3RD            |            |