

# PARTS LIST

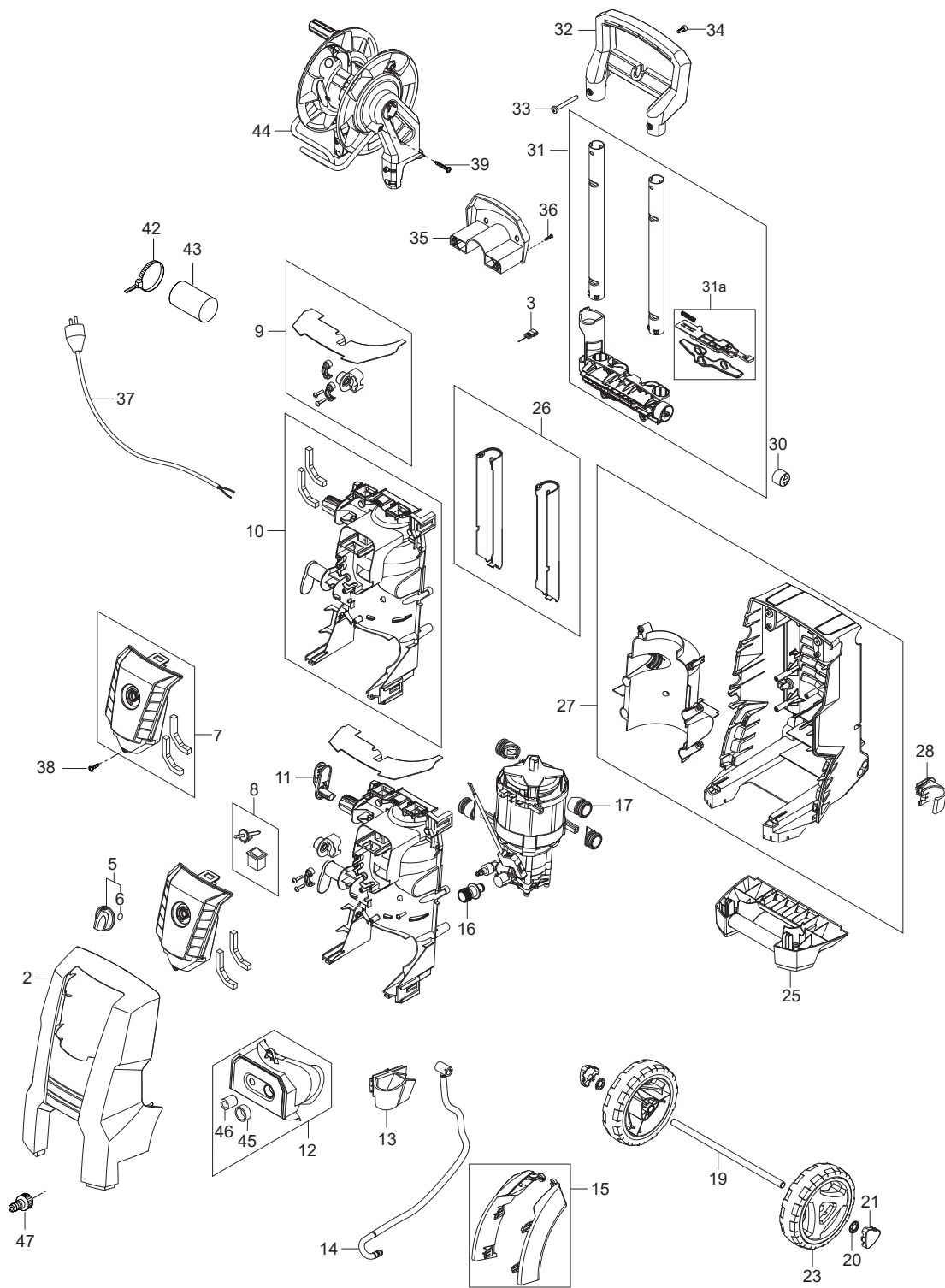


2020.11.01

# TABLE OF CONTENTS

---

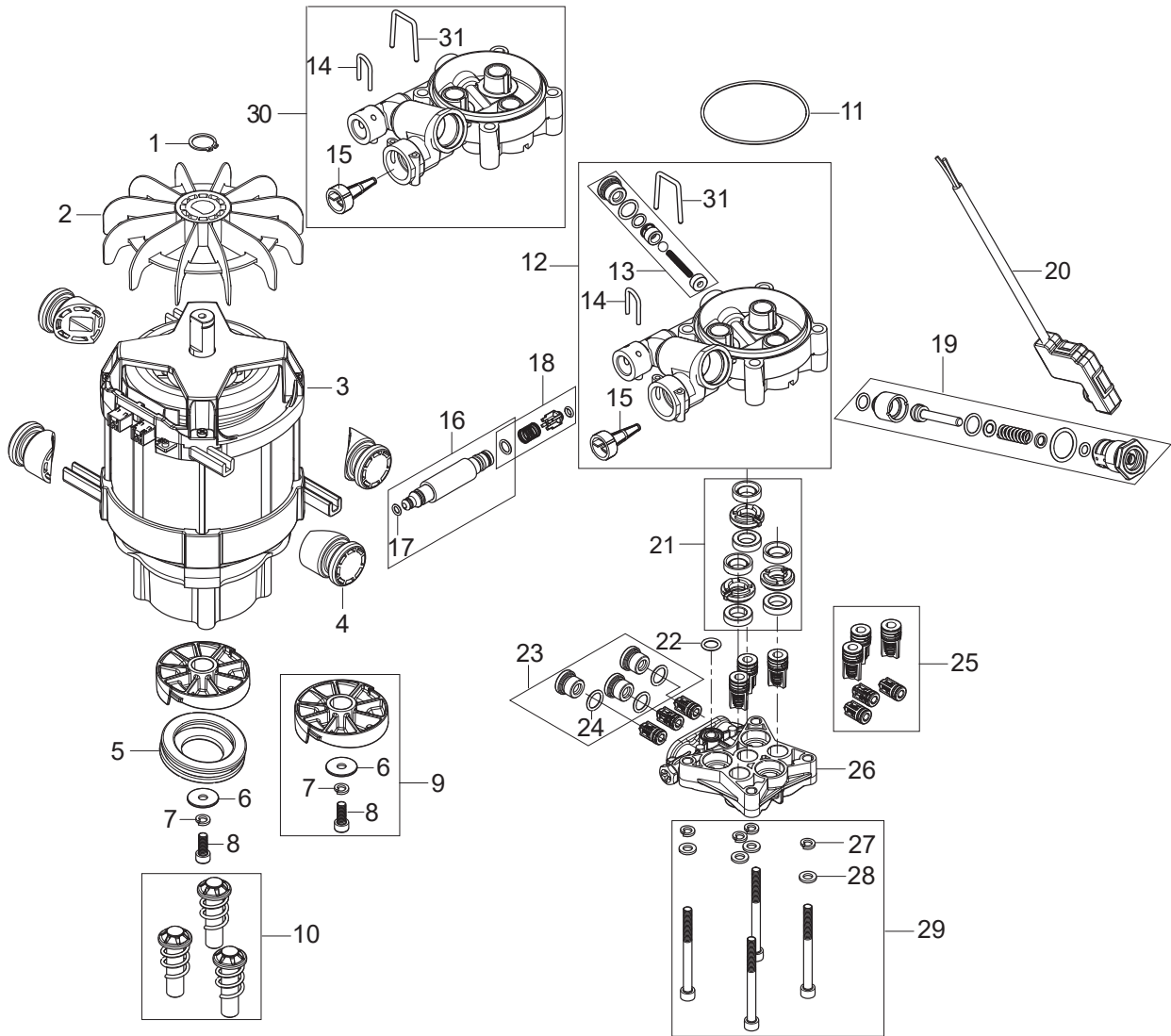
|                  |   |
|------------------|---|
| Overview .....   | 1 |
| Motor pump ..... | 3 |
| Hose reel .....  | 5 |



| Pos. | Réf article | Qté | Désignation                         | Notes |
|------|-------------|-----|-------------------------------------|-------|
| NS   | 128500989   | 1   | 10PCS 4C BOX E145.4-9               |       |
| NS   | 128500990   | 1   | 10PCS 4C BOX E150.2-10 XTRA         |       |
| 2    | 128501159   | 1   | FRONT CABINET W. PRINT E145.4       |       |
| 2    | 128501160   | 1   | FRONT CABINET W. PRINT E150.2       |       |
| 3    | 6520844     | 1   | AIGUILLE À NETTOYER                 |       |
| 5    | 128500547   | 1   | BOUTON BLEU D INTERRUPTEUR M/A      |       |
| 6    | 9868        | 1   | JOINT TORIQUE 10.2X2.5 NBR 70       |       |
| 7    | 128500928   | 1   | CAPOT INTERRUPTEUR                  |       |
| 8    | 128500507   | 1   | KIT INTERRUPTEUR MARCHE/ARRET       |       |
| 9    | 128500815   | 1   | KIT CABLE DE RECHANGE               |       |
| 10   | 128500927   | 1   | CARTER AVANT AVEC JOINT             |       |
| 11   | 128500549   | 1   | ENROULEUR DE CABLE BLEU             |       |
| 12   | 128500550   | 1   | COVERCLE INT/EXT NOIR STD           |       |
| 12   | 128500551   | 1   | COVERCLE INT/EXT NOIR XTRA          |       |
| 13   | 128500512   | 1   | SUPPORT DE LANCE                    |       |
| 14   | 128500513   | 1   | FLEXIBLE INTERNE                    |       |
| 15   | 128500514   | 1   | GARDE BOUE DE ROUE                  |       |
| 16   | 128500515   | 1   | PIPE ARRIVEE D EAU NA01             |       |
| 17   | 128500604   | 4   | SILENT BLOC                         |       |
| 19   | 128500517   | 1   | AXE DE ROUE                         |       |
| 20   | 127440210   | 1   | CLIPS DE ROUE                       |       |
| 21   | 128500552   | 1   | CAPUCHON DE ROUE                    |       |
| 23   | 128500553   | 1   | ROUE                                |       |
| 25   | 128500520   | 1   | AVANT HAUT                          |       |
| 26   | 128500521   | 1   | GUIDE DE TUBE                       |       |
| 27   | 128500522   | 1   | MPU COUVERCLE NOIR AVEC CHASSIS     |       |
| 28   | 128500523   | 1   | BLOCAGE DE LANCE                    |       |
| 30   | 128500554   | 1   | BOUTON BLEU DE VERROUILLAGE POIGNEE |       |
| 31   | 128500931   | 1   | HANDLE TUBE AND ACC STORAGE         |       |
| 31a  | 128500932   | 1   | SYSTÈME DE RESSORT POUR LOQUET      |       |
| 32   | 128500527   | 1   | POIGNEE                             |       |
| 33   | 128500528   | 1   | ECROU DE VERROUILLAGE DE POIGNEE    |       |
| 34   | 128500529   | 1   | VIS M4X8 ISO7045 A2-50-H PH         |       |
| 35   | 128500530   | 1   | CROCHET DE TUYAU                    |       |
| 36   | 1814732     | 2   | VIS K50X18                          |       |
| 37   | 128500822   | 1   | POWER CABLE EU                      |       |
| 37   | 128500823   | 1   | POWER CABLE UK                      |       |
| 37   | 128500881   | 1   | POWER CABLE PVC AU/NZ               | [1]   |
| 38   | 107141838   | 33  | VIS K50X18 WN1451 NOIR TORX20       |       |
| 39   | 128500595   | 2   | VIS K50X35 WN1452 NOIR TORX         |       |
| 42   | 1814741     | 1   | ATTACHE POUR CABLE                  |       |
| 43   | 128500636   | 1   | CONDENSATEUR 25UF                   |       |
| 44   |             | 1   | Hose reel complete                  | [2]   |
| 45   | 128500578   | 1   | JOINT ENTREE                        |       |
| 46   | 128500579   | 1   | OUTLET GASKET                       |       |
| 47   | 106404529   | 1   | RACCORD GARDENA MALE 3/4"           |       |
| NS   | 128501129   | 1   | 10 PCS 4C BOX DP E130.3 E140.3      |       |

## Part Notes:

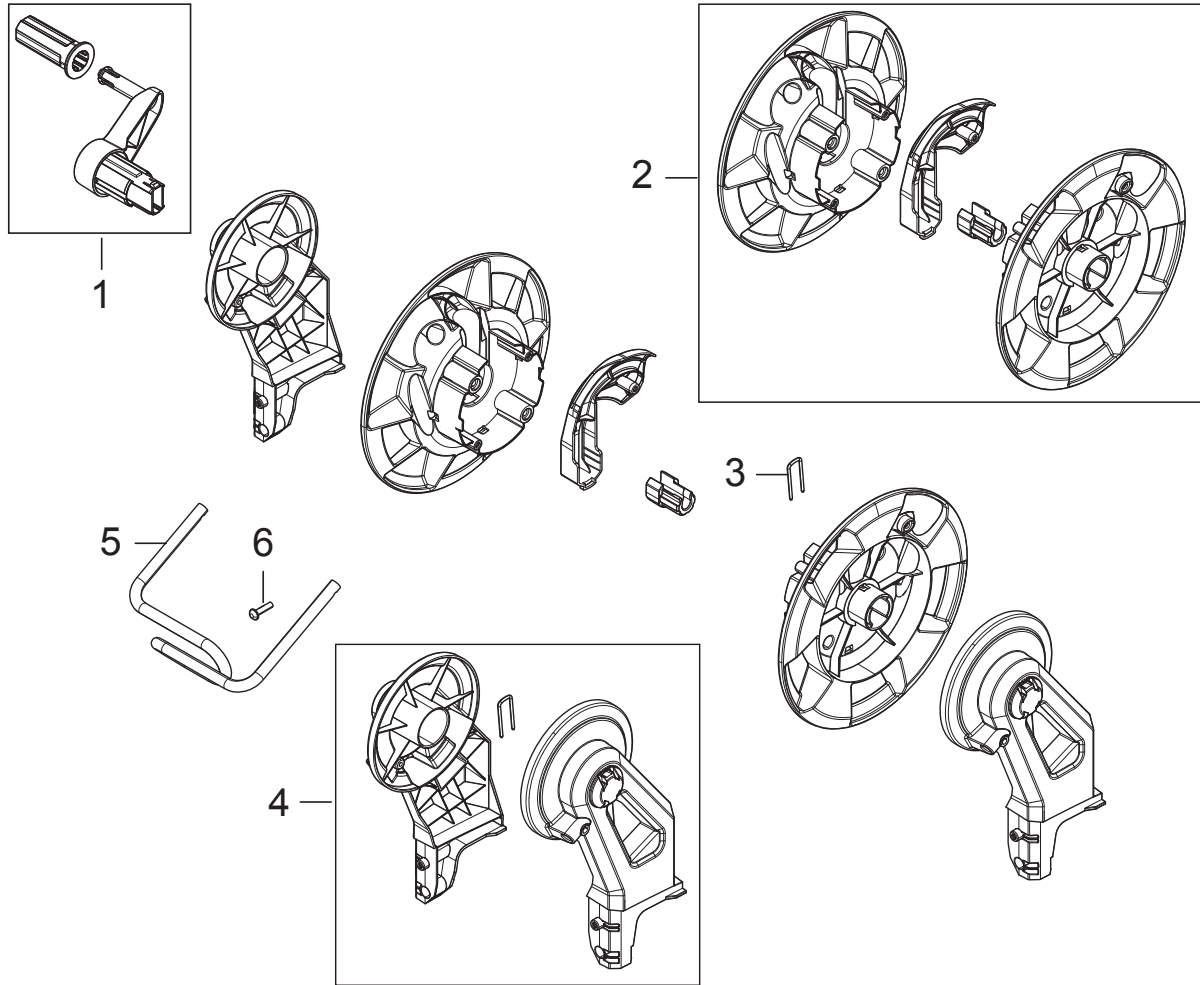
- [1] - STOCK COVERS GUARANTEE  
 [2] - Hose reel



| Pos. | Réf article | Qté | Désignation                             | Notes |
|------|-------------|-----|---|-------|
| 1    | 127500051   | 1   | CIRCLIP                                 |       |
| 2    | 127500040   | 1   | VENTILATEUR                             |       |
| 3    | 128500601   | 1   | MOTEUR 230V/50HZ 2.1KW                  |       |
| 4    | 128500604   | 4   | SILENT BLOC                             |       |
| 5    | 128500605   | 1   | BILLE AVEC JOINT                        |       |
| 6    | 127130066   | 1   | RONDELLE D22X6.4X1.5                    |       |
| 7    | 127500050   | 1   | RESSORT                                 |       |
| 8    | 128500608   | 1   | VIS M6X16 10.9 FZB ISO4762              |       |
| 9    | 128500615   | 1   | DISQUE KIT 10.7 DEG                     |       |
| 10   | 128500616   | 1   | KIT PISTONS 3PCS                        |       |
| 11   | 127440078   | 1   | RONDELLE 2X2 SH90                       |       |
| 12   | 128500618   | 1   | BLOQUE CYLINDRIQUE KIT DE DEMARRAGE     |       |
| 13   | 128500619   | 1   | KIT DE DEMARRAGE                        |       |
| 14   | 128500620   | 1   | GOUPILLE EN U EXTERIEUR                 |       |
| 15   | 128500195   | 1   | TAMIS                                   |       |
| 16   | 128500622   | 1   | INSERT EXT D'ACCOUPEMENT RAPIDE         |       |
| 17   | 3004304     | 1   | JOINT TORIQUE 5.1X1.6                   |       |
| 18   | 128500624   | 1   | VANNE ANTI RETOUR COMPLETE              |       |
| 19   | 128501513   | 1   | START/STOP VALVE D.2.95 - REV. 2 - NA01 | [1]   |
| 20   | 128500628   | 1   | BOITIER MICROSWITCH COMPLET             |       |
| 21   | 128500993   | 1   | THRUST COLLAR WATER KIT                 |       |
| 22   | 128500630   | 1   | JOINT 10.0X2.2 NBR 90                   |       |
| 23   | 128500851   | 1   | PRISE SOUPEPE PRESSION                  |       |
| 24   | 127440085   | 3   | RONDELLE 11.7X2.0 SH90                  |       |
| 25   | 128500855   | 1   | KIT SOUPAPES 6 PIECES                   |       |
| 26   | 128500633   | 1   | CULASSE DROITE                          |       |
| 27   | 127500029   | 4   | RONDELLE                                |       |
| 28   | 127500050   | 4   | RESSORT                                 |       |
| 29   | 127500071   | 1   | VIS                                     |       |
| 30   | 128500634   | 1   | BLOQUE CYLINDRIQUE                      |       |
| 31   | 128500675   | 1   | AGRAPHE                                 |       |

Part Notes:

- [1] - TSB-CON-HPW-2019-001 - Excellent-Dynamic -start-stop system  
DE TSB-CON-HPW-2019-001 Excellent Dynamic Start-Stop System



| Pos. | Réf article | Qté | Désignation                        | Notes |
|------|-------------|-----|------------------------------------|-------|
| 0    | 128500531   | 1   | ENROULEUR CPLT                     |       |
| 1    | 128500590   | 1   | POIGNEE D ENROULEUR DE FLEXIBLE HP |       |
| 2    | 128500591   | 1   | KIT ENROULEUR                      |       |
| 3    | 128500592   | 1   | EPINGLE DE FIXATION                |       |
| 4    | 128500593   | 1   | KIT FLEXIBLE SUPPORT ENROULEUR     |       |
| 5    | 128500594   | 1   | GUIDE DE FLEXIBLE                  |       |
| 6    | 128500595   | 2   | VIS K50X35 WN1452 NOIR TORX        |       |
| 7    | 107141838   | 2   | VIS K50X18 WN1451 NOIR TORX20      |       |



