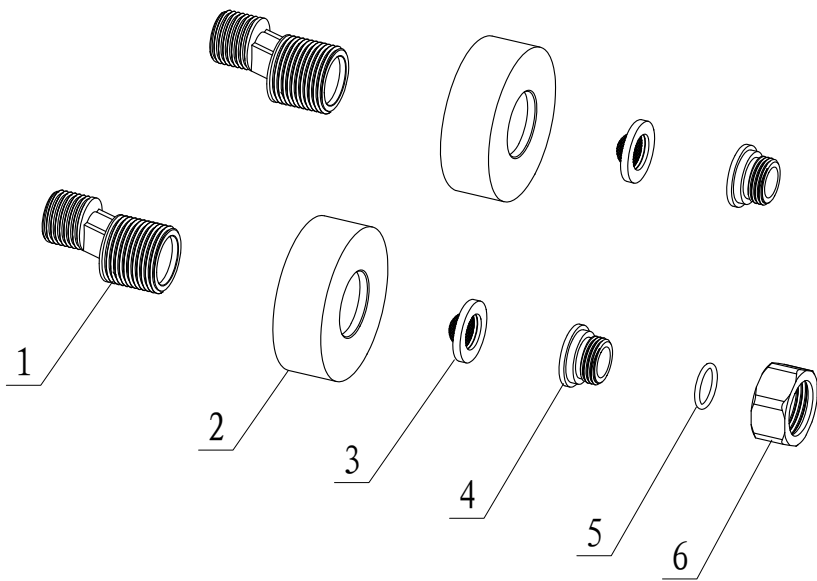
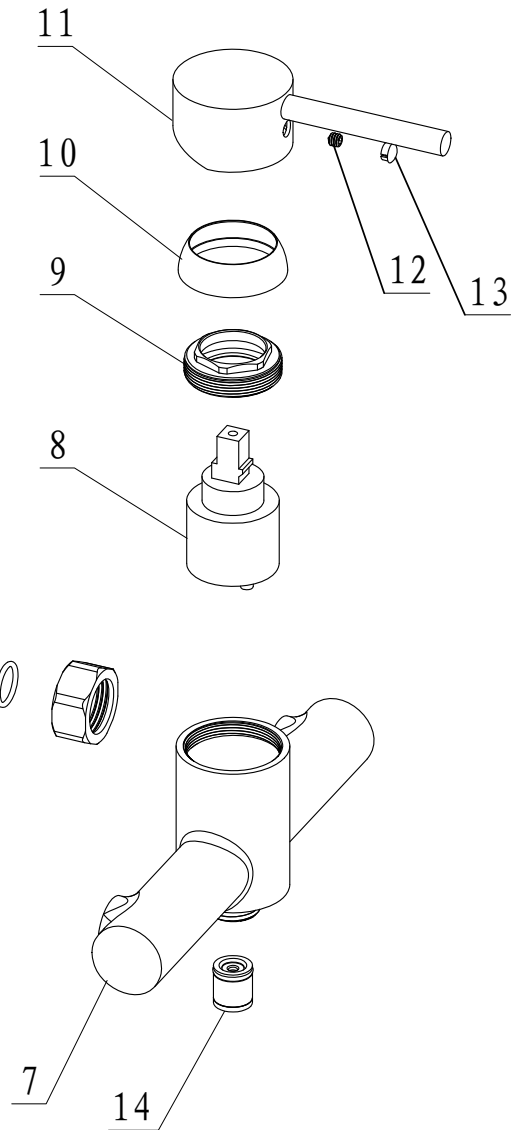


Part-Listing

No.	Description	Material	QTY
1	S connector	Stainless Steel 304	2
2	Wall cover	Stainless Steel	2
3	Washer	Silicone	2
4	Seat	Brass	2
5	O ring	Silicone	2
6	Nut	Brass	2
7	Body	Brass	1
8	Cartridge	EN-35 S/D BG BASIC	1
9	Compressing Nut	Brass	1
10	Cover	ABS	1
11	Screw	Stainless Steel	1
12	Blue and Red Marker	ABS	1
13	Handle	Zinc Alloy	1
14	Check valve	DW15 30.4043.000	1



NINGBO AMICO COPPER VALVES  
MANUFACTURING INC

DRAWN			
APPROVE			