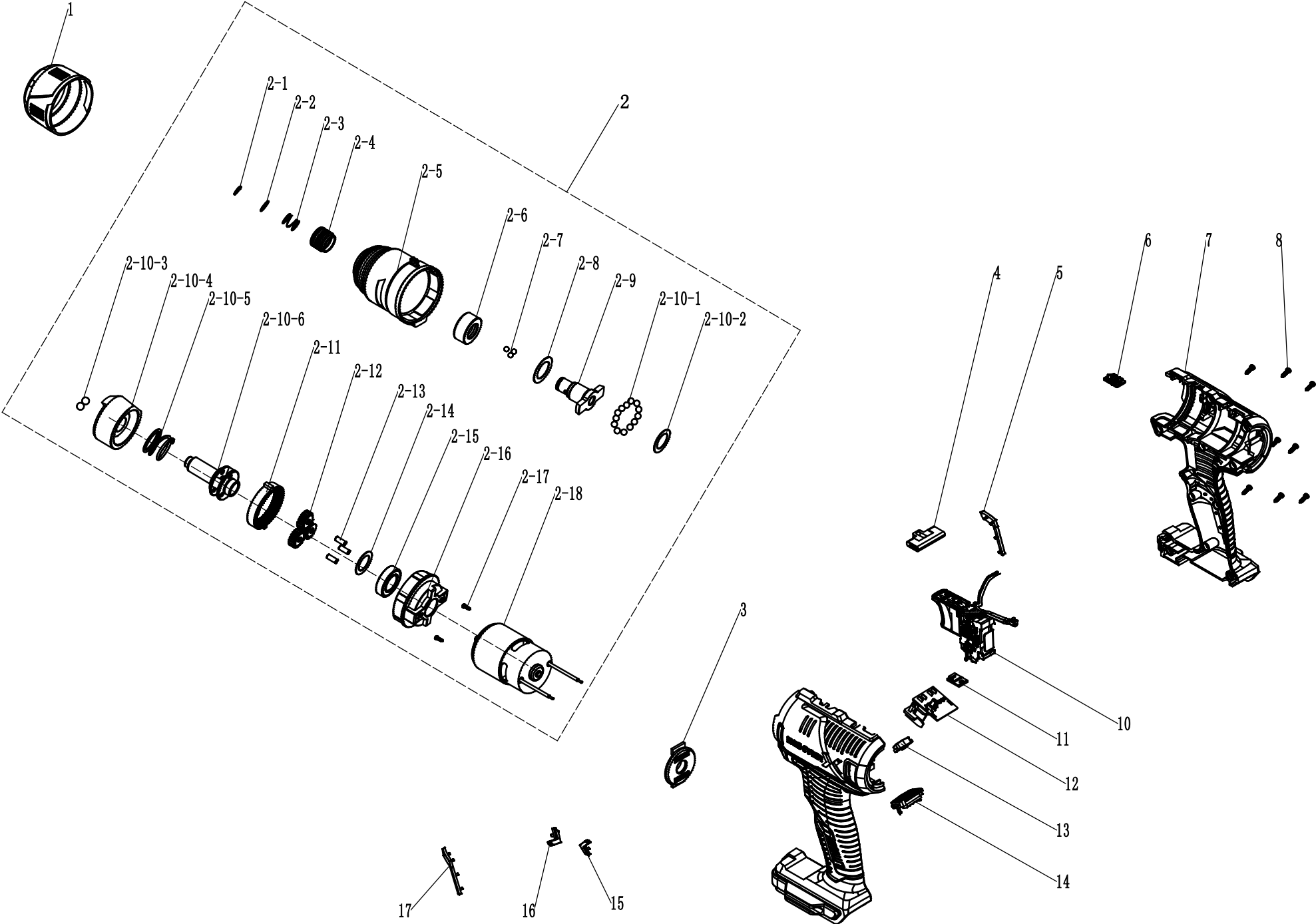
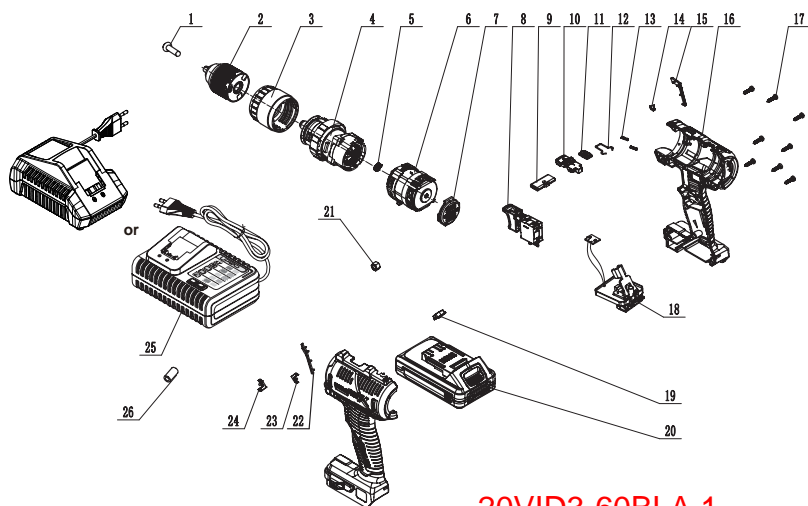


20VIDV2-180.1



### 13. EXPLODED VIEW AND SPARE PARTS LIST



20VID3-60BLA.1

NO	Description	NO	Description
1	screw	14	variable speed button spring
2	chuck	15	right handle decoration
3	Torque sleeve	16	housing
4	Gear box assembly	17	screw
5	Motor gear	18	PCB assembly
6	motor	19	Transparent lampshade
7	Back cover	20	Battery pack
8	Switch assembly	21	nut
9	Push rod	22	left handle decoration
10	Speed adjustment button	23	Right arrow
11	Indicator cover	24	Left arrow
12	Elastic steel wire	25	Charger
13	variable speed button spring	26	Magnetic ring