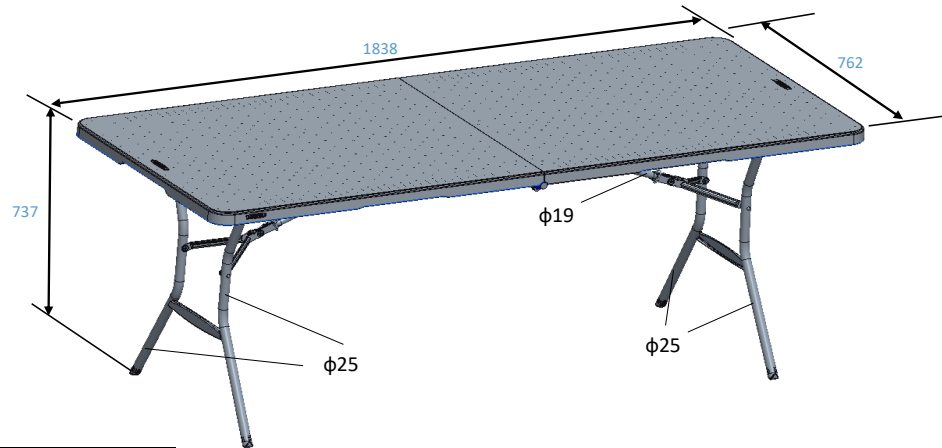


PRODUCT COMPOSITION DETAILS						
Code	Type of elements	QTY	Material		Covering/veneer/finishing	
			Type: for wodden parts don't forget to fill in the sheet 4	Characteristics/dimensions		
1	Frame	1		Steel		Powder coating
2	Panel	2		HDPE		Texture
3	Screw	8		Steel		White zinc plating
4	Clip	2		POM		Sandblast
5	Logo	2		ABS		N/A

Exploded view / Numbered view (or photo)

Maxlloads on the Tops, shelves and extractables

TECHNICAL DRAWING



EXPLODED DRAWING

