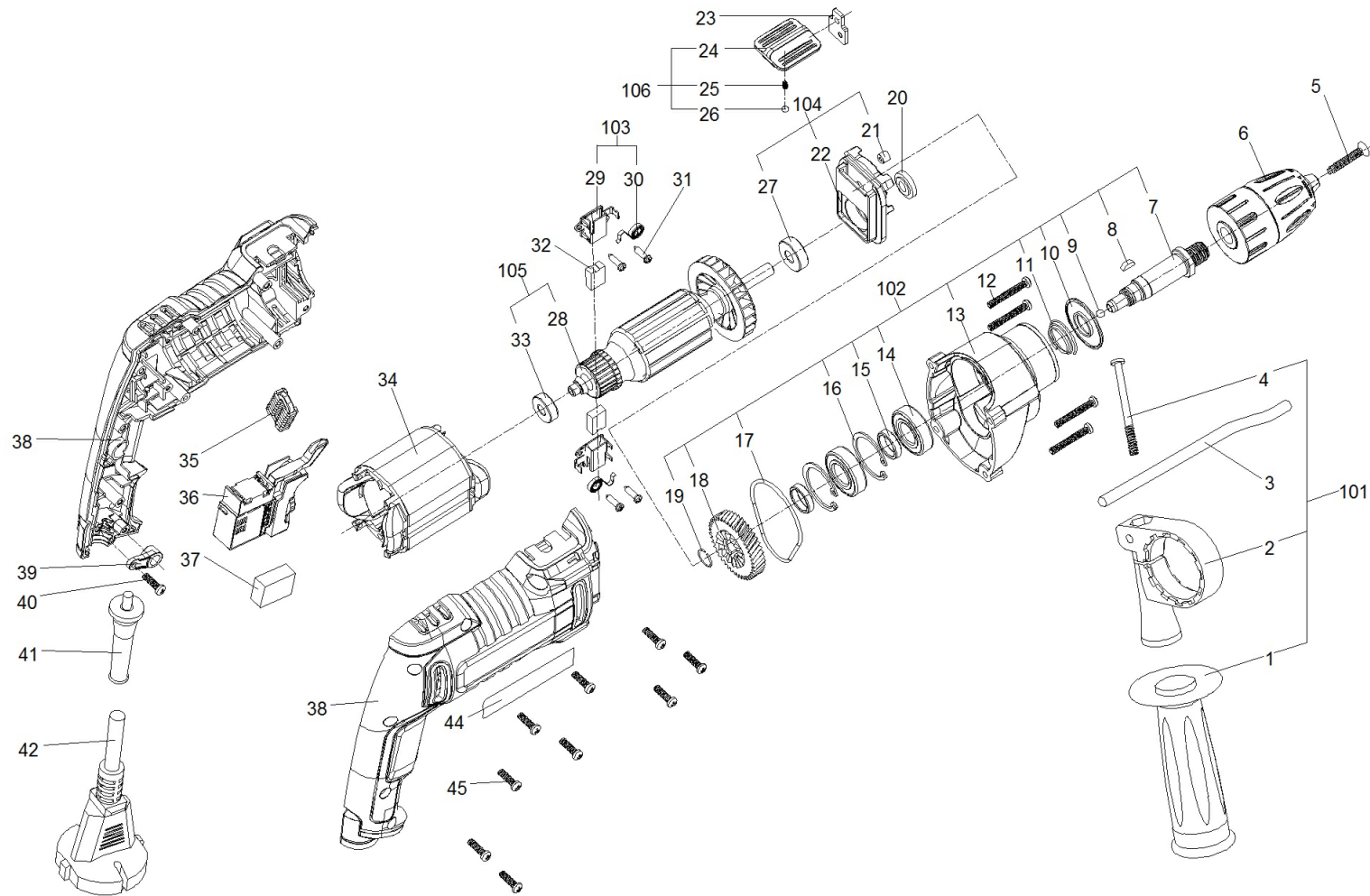




WX318




WX318

	Part No	Description	Remark	Substitute parts	Qty
1	60040246	Side handle		60040005	1
1	60040005	Side handle			1
2	60040247	Slide fixture			1
3	60040248	Rule			1
4	60040249	Screw M8X100			1
5	60040250	Screw M6X25 Left			1
6	60040251	Chuck			1
7	60040252	Output spindle			1
8	60040253	Semicircular key			1
9	60040254	Steel ball			1
10	60040255	Ring			1
11	60040256	Spring			1
12	60040257	Screw ST4X20			4
13	60040258	Gear box			1
14	60040259	Bearing 6002			2
15	60040260	Locating ring			2
16	60040261	Circlip 32			2
17	60040262	Seal ring			1
18	60040263	Gear			1
19	60040264	Circlip 12			1

WX318

	Part No	Description	Remark	Substitute parts	Qty
20	60040265	Oil Shield			1
21	60040266	Brush Holder			1
22	60040267	Middle Cover			1
23	60040268	Support plate			1
24	60040269	Drill/impact selector			1
25	60040270	Spring			1
26	60040271	Steel Ball			1
27	60040272	Bearing 608			1
28	60040273	Rotor			1
29	60040274	Brush holder			2
30	60040275	Whorl spring			2
31	60040276	Self tapping screw			4
32	60040277	Carbon brush (pair)			1
33	60040278	Bearing 607			1
34	60040279	Stator			1
35	60040280	Inductance			1
36	60040281	Switch Set			1
37	60040282	Capacitor			1
38	60040283	Left/Right housing			1
39	60040284	Cord Clamp			1

WX318

	Part No	Description	Remark	Substitute parts	Qty
40	60040285	Screw ST4X13			1
41	60040286	Cable Sheath			1
42	60040287	Cord & Plug			1
42	60044067	Power cord	for CH		1
44	60040288	Rated label	"for EU,CH"		1
45	60040289	Screw ST4X16			9
101	60040290	Side handle set			1
102	60040291	Gear box set			1
103	60040292	Brush holder set			2
104	60040293	Middle Cover set			1
105	60040294	Rotor set			1
106	60040295	Drill/impact selector set			1
F1	50029729	Color box for WX318	"for EU,CH"		1
F2	50036430	BMC			1
F3	50031380	Manual	"for EU,CH"		1