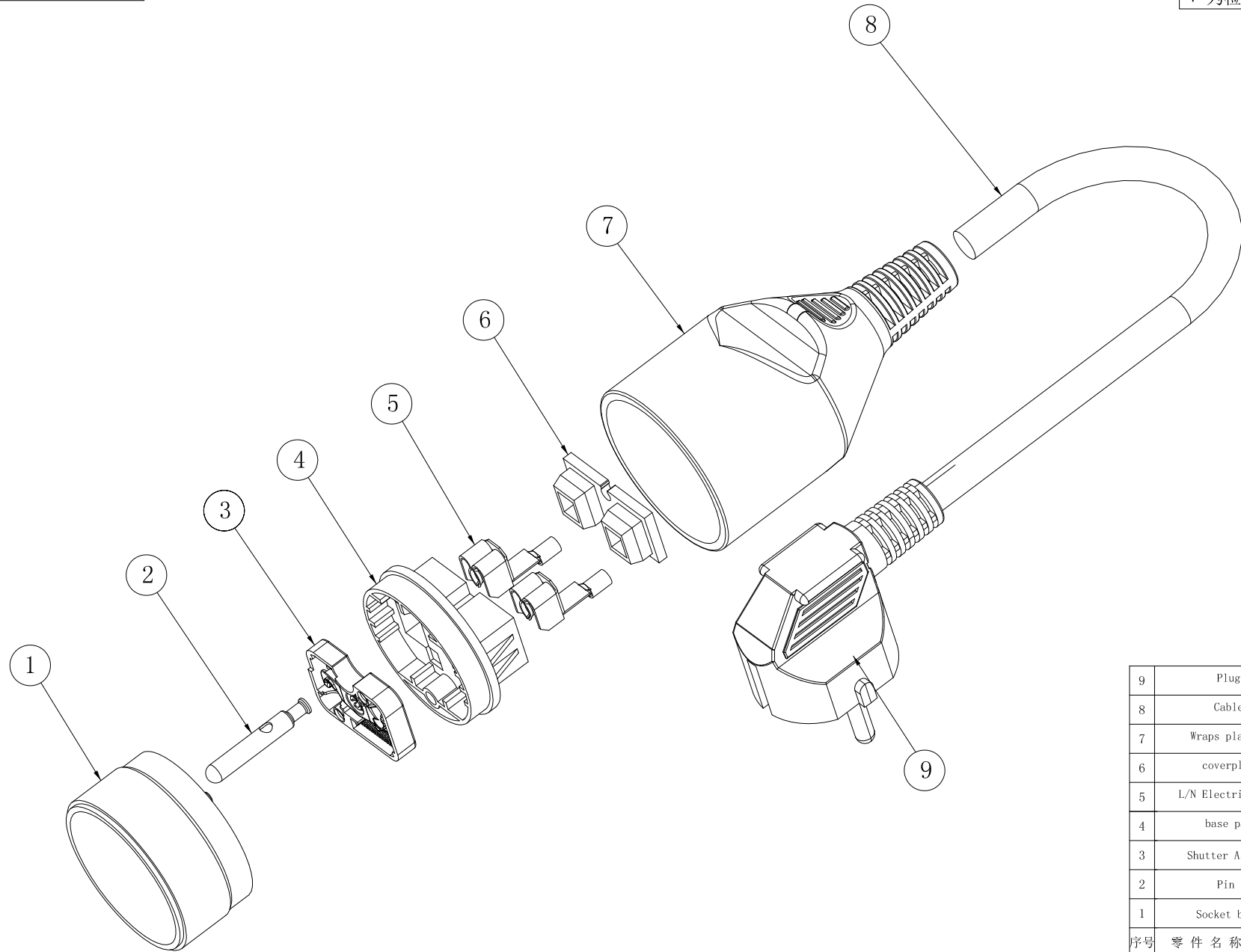


Object / Part No.	Manufacturer / Trademark	Type / Model	Technical data	Standard	Mark(s) of conformity
Plug	Ningbo Hongyi Electronics Technology Co.,Ltd.	HY005-F	16A 250V~ IP20	ICE 60884-1	S:1519271
cord	NingBo HongYi Electronics Technology Co., Ltd.	H05VV-F	3G1.5mm <sup>2</sup>	EN 50525-2-21	VDE:40015878 KEMA:2104433.0 4
	Ningbo Qianghong Electronics Co., Ltd.	H05VV-F	3G1.5mm <sup>2</sup>	VDE 0285-525-2-21	VDE: 40014284
	Cixi HongYi Electronics Co., Ltd.	H05VV-F	3G1.5mm <sup>2</sup>	EN 50525-2-21	KEMA:2157851.0 3
L/N Electric tole	NingBo HongYi Electronics Technology Co., Ltd.	/	QSn6.5-0.1	ICE 60884-1	Test with appliance
Shutter	NINGBO WEIRUI ENGINEERING PLASTICS CO.,LTD	A2FG5F	PA66+25%GF	ICE 60884-1	Test with appliance
coverplate	JIANGYIN JIHUA NEW MATERIAL CO.,LTD	/	PBT	ICE 60884-1	Test with appliance
Wraps plastic	NingBo HongYi Electronics Technology Co., Ltd.	/	PVC	ICE 60884-1	Test with appliance
Socket body/base	Covestro Deutschland AG [PC Resins]	2856	PC	ICE 60884-1	Test with appliance
Shutter box	Covestro Deutschland AG [PC Resins]	2856	PC	ICE 60884-1	Test with appliance

单位: mm	尺寸范围	公差
* 为检验尺寸	0.0mm ~ 6.0mm	±0.08
	6.0mm ~ 20.0mm	±0.10
	20.0mm ~ 50.0mm	±0.15
	50.0mm ~ 100.0mm	±0.20
	100.0mm ~ 250.0mm	±0.30
	250.0mm ~ 400.0mm	±0.40
	400.0mm ~ 600.0mm	±0.50

材料需满足欧盟RoHS, REACH, PAHS指令环保限制物质要求



9	Plug	1	-----	
8	Cable	1	-----	
7	Wraps plastic	1	PVC	
6	coverplate	1	PBT	
5	L/N Electric tole	1	QSn6.5-0.1	
4	base pan	1	PC	
3	Shutter Assy.	1	N/A	
2	Pin	1	QSn6.5-0.1	
1	Socket body	1	PC	
序号	零件名称	数量	材料 性质 规格 牌号	备注

X1	16/08-2006	Initial Issue	ZY. LU	未注公差: ---	批准: APPROVAL:	审核: CHECKING:	校对: CORRECT:	绘图: ZY. LU
版本 REV.	出图日期 DRAWING DATE	描述 DESCRIPTION	制图 DRAWING BY	TOLERANCE: N/A	日期: DATE:	日期: DATE:	日期: DATE:	日期: 30/01-2013
零件名称 PART NAME		客户型号: CUSTOMER NO.:	物料编号: MATERIAL PART NO.:	LC001HA-00000-000		HONGYI		慈溪宏一电子有限公司 CIXI HONGYI ELECTRONICS CO., LTD.
Socket assembly		公司型号: MODEL NO.:	图纸编号: DRAWING NO.:	NFL-001 00NFL001-S01-HY		不得测量图纸尺寸 NOT SCALE DWGING		