

Revision C:

- MSZ-EF18/22/25/35/42/50VE2W - E1, ER1,
MSZ-EF18/22/25/35/42/50VE2B - E1, ER1 and
MSZ-EF18/22/25/35/42/50VE2S - E1, ER1
have been added.

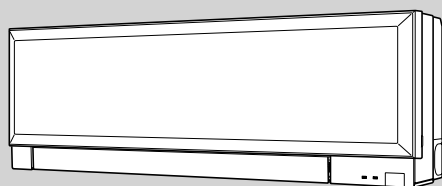
Please void OBH589 REVISED EDITION-B.

INDOOR UNIT PARTS CATALOG

No. OBB589
REVISED EDITION-C

Models

MSZ-EF18VEW - <input type="checkbox"/> E1	MSZ-EF22VEW - <input type="checkbox"/> E1	MSZ-EF25VEW - <input type="checkbox"/> E1
MSZ-EF35VEW - <input type="checkbox"/> E1	MSZ-EF42VEW - <input type="checkbox"/> E1	MSZ-EF50VEW - <input type="checkbox"/> E1
MSZ-EF18VEB - <input type="checkbox"/> E1	MSZ-EF22VEB - <input type="checkbox"/> E1	MSZ-EF25VEB - <input type="checkbox"/> E1
MSZ-EF35VEB - <input type="checkbox"/> E1	MSZ-EF42VEB - <input type="checkbox"/> E1	MSZ-EF50VEB - <input type="checkbox"/> E1
MSZ-EF18VES - <input type="checkbox"/> E1	MSZ-EF22VES - <input type="checkbox"/> E1	MSZ-EF25VES - <input type="checkbox"/> E1
MSZ-EF35VES - <input type="checkbox"/> E1	MSZ-EF42VES - <input type="checkbox"/> E1	MSZ-EF50VES - <input type="checkbox"/> E1
MSZ-EF18VE2W - <input type="checkbox"/> E1, <input type="checkbox"/> ER1	MSZ-EF22VE2W - <input type="checkbox"/> E1, <input type="checkbox"/> ER1	MSZ-EF25VE2W - <input type="checkbox"/> E1, <input type="checkbox"/> ER1
MSZ-EF35VE2W - <input type="checkbox"/> E1, <input type="checkbox"/> ER1	MSZ-EF42VE2W - <input type="checkbox"/> E1, <input type="checkbox"/> ER1	MSZ-EF50VE2W - <input type="checkbox"/> E1, <input type="checkbox"/> ER1
MSZ-EF18VE2B - <input type="checkbox"/> E1, <input type="checkbox"/> ER1	MSZ-EF22VE2B - <input type="checkbox"/> E1, <input type="checkbox"/> ER1	MSZ-EF25VE2B - <input type="checkbox"/> E1, <input type="checkbox"/> ER1
MSZ-EF35VE2B - <input type="checkbox"/> E1, <input type="checkbox"/> ER1	MSZ-EF42VE2B - <input type="checkbox"/> E1, <input type="checkbox"/> ER1	MSZ-EF50VE2B - <input type="checkbox"/> E1, <input type="checkbox"/> ER1
MSZ-EF18VE2S - <input type="checkbox"/> E1, <input type="checkbox"/> ER1	MSZ-EF22VE2S - <input type="checkbox"/> E1, <input type="checkbox"/> ER1	MSZ-EF25VE2S - <input type="checkbox"/> E1, <input type="checkbox"/> ER1
MSZ-EF35VE2S - <input type="checkbox"/> E1, <input type="checkbox"/> ER1	MSZ-EF42VE2S - <input type="checkbox"/> E1, <input type="checkbox"/> ER1	MSZ-EF50VE2S - <input type="checkbox"/> E1, <input type="checkbox"/> ER1



MSZ-EF·VEW
MSZ-EF·VEB
MSZ-EF·VES



CONTENTS

1. RoHS PARTS LIST..... 2
2. OPTIONAL PARTS..... 14

SERVICE MANUAL (OBH589)

NOTE:

RoHS compliant products have <G> mark on the spec name plate.



Revision A:

• Part numbers of the electronic control P.C. boards have been changed.

Revision B:

• MSZ-EF18VEW - [E1], MSZ-EF18VEB - [E1] and MSZ-EF18VES - [E1] have been added.

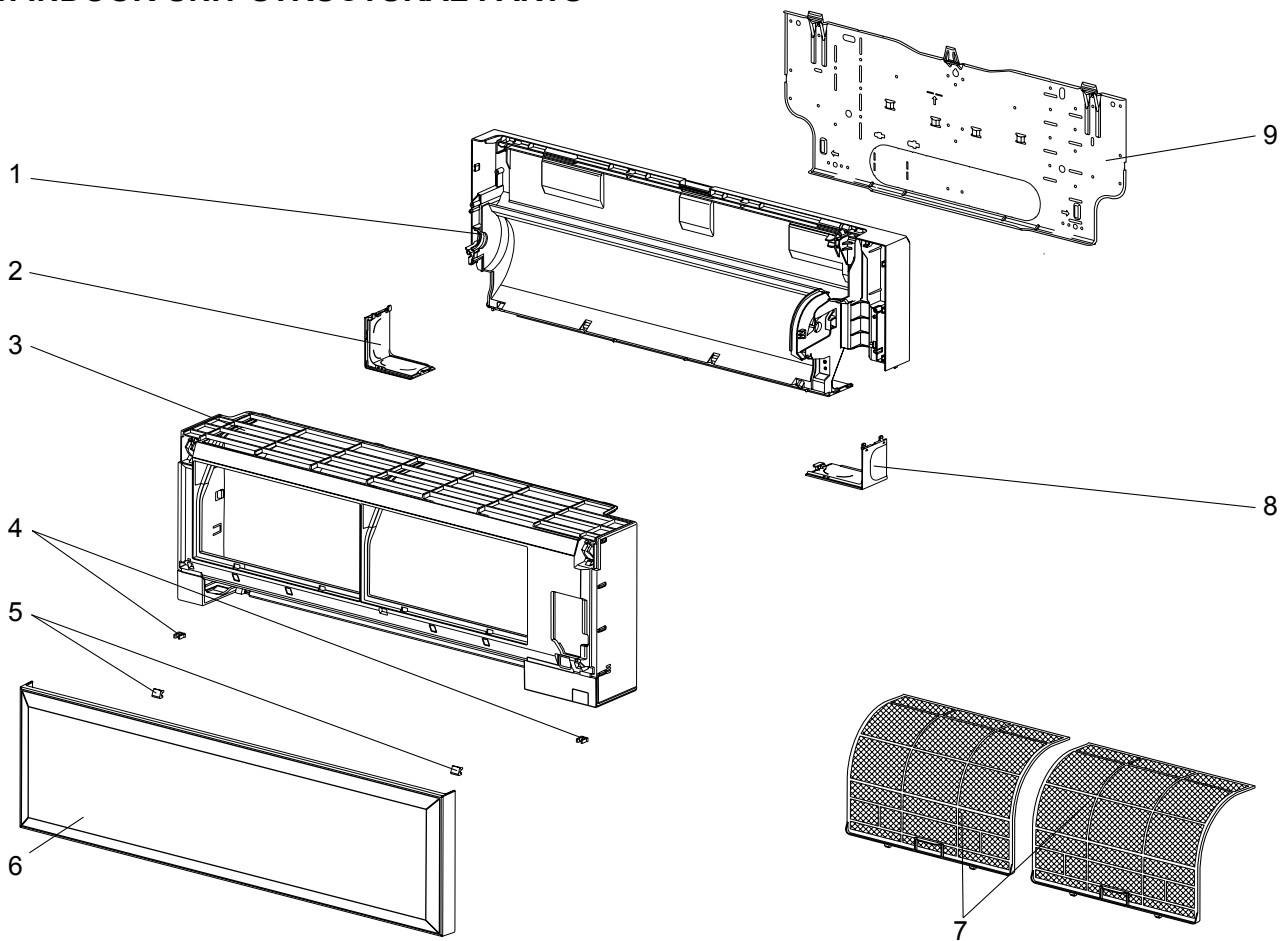
Revision C:

• MSZ-EF18/22/25/35/42/50VE2W - [E1], [ER1], MSZ-EF18/22/25/35/42/50VE2B - [E1], [ER1] and MSZ-EF18/22/25/35/42/50VE2S - [E1], [ER1] have been added.

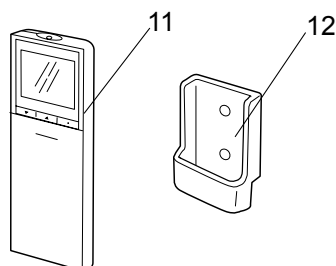
1 RoHS PARTS LIST

MSZ-EF18VEW MSZ-EF22VEW MSZ-EF25VEW MSZ-EF35VEW MSZ-EF42VEW MSZ-EF50VEW
MSZ-EF18VEB MSZ-EF22VEB MSZ-EF25VEB MSZ-EF35VEB MSZ-EF42VEB MSZ-EF50VEB
MSZ-EF18VES MSZ-EF22VES MSZ-EF25VES MSZ-EF35VES MSZ-EF42VES MSZ-EF50VES

1-1. INDOOR UNIT STRUCTURAL PARTS



1-2. ACCESSORY AND REMOTE CONTROLLER



RoHS PARTS LIST

1-1. INDOOR UNIT STRUCTURAL PARTS

Part numbers that is circled is not shown in the illustration.

No.	RoHS	Part No.	Part name	Symbol in Wiring Diagram	Q'ty/unit																		Remarks
					MSZ-EF																		
					18			22			25			35			42			50			
VEW	VEB	VES	VEW	VEB	VES	VEW	VEB	VES	VEW	VEB	VES	VEW	VEB	VES	VEW	VEB	VES	VEW	VEB	VES			
1	G	E12 F95 234	BOX ASSEMBLY		1			1			1			1			1			1			
	G	E12 G21 234			1			1			1			1			1			1			
	G	E12 G26 234				1		1			1			1			1			1			1
2	G	E12 F95 976	CORNER BOX LEFT		1			1			1			1			1			1			
	G	E12 G21 976			1			1			1			1			1			1			
	G	E12 G26 976				1		1			1			1			1			1			1
3	G	E12 F95 000	PANEL ASSEMBLY		1			1			1			1			1			1			Including No. 3,4,5
	G	E12 G21 000			1			1			1			1			1			1			Including No. 3,4,5
	G	E12 G26 000				1		1			1			1			1			1			1 Including No. 3,4,5
4	G	E12 F95 142	CATCH		2	2	2	2	2	2	2	2	2	2	2	2	2	2	2	2	2	2	2 PCS/SET
5	G	E12 F95 067	SCREW CAP		2			2			2			2			2			2			2 PCS/SET
	G	E12 G21 067			2			2			2			2			2			2			2 PCS/SET
	G	E12 G26 067				2		2			2			2			2			2			2 PCS/SET
6	G	E12 F95 010	FRONT PANEL		1			1			1			1			1			1			
	G	E12 G21 010			1			1			1			1			1			1			
	G	E12 G26 010				1		1			1			1			1			1			1
7	G	E12 F95 100	NANO PLATINUM FILTER		2	2	2	2	2	2	2	2	2	2	2	2	2	2	2	2	2	2	1 PC/SET
8	G	E12 F95 975	CORNER BOX RIGHT		1			1			1			1			1			1			
	G	E12 G21 975			1			1			1			1			1			1			
	G	E12 G26 975				1		1			1			1			1			1			1
9	G	E12 F95 970	INSTALLATION PLATE		1	1	1	1	1	1	1	1	1	1	1	1	1	1	1	1	1	1	
⑩	G	—	SOFT DRY CLOTH		1			1			1			1			1			1			MAC-1001CL-E

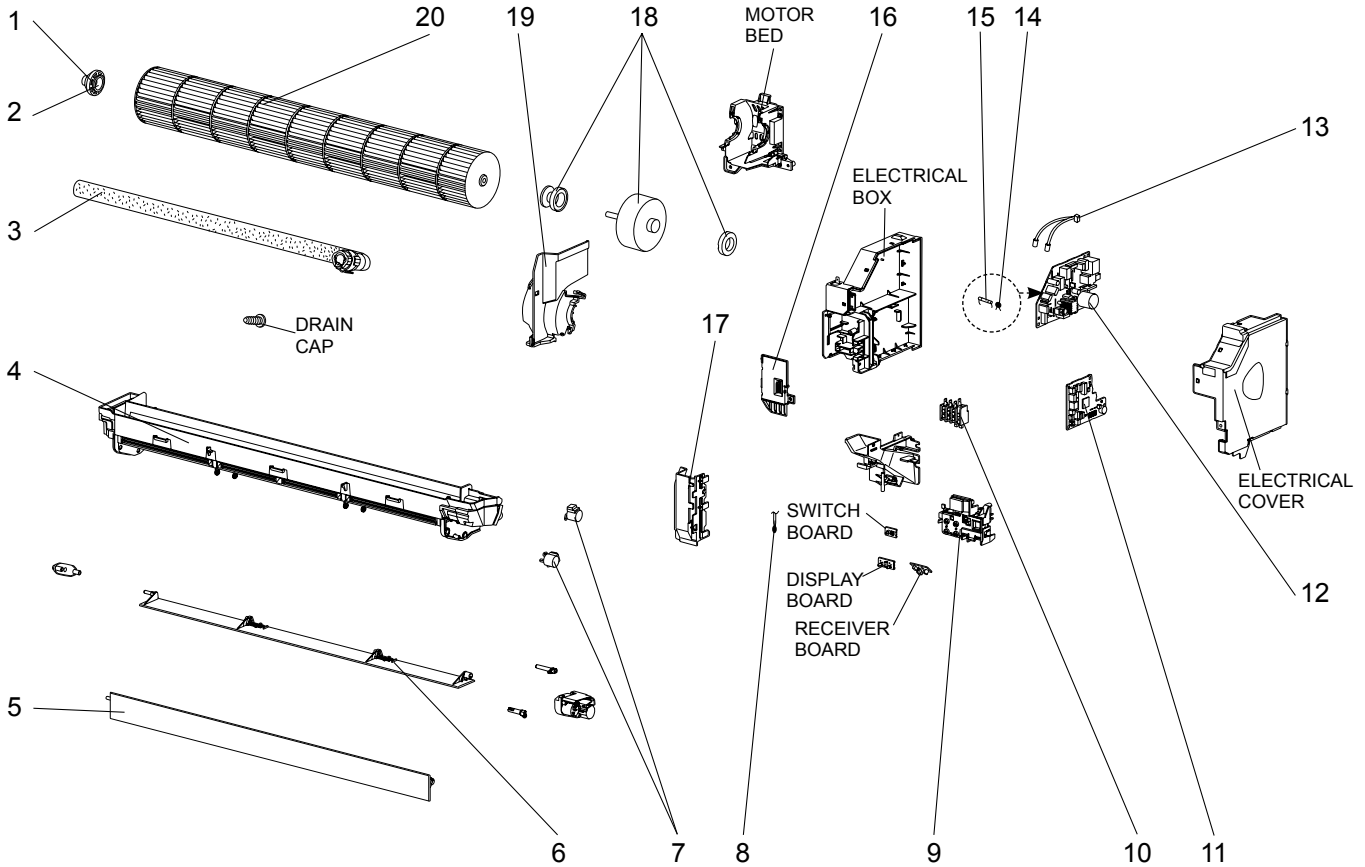
1-2. ACCESSORY AND REMOTE CONTROLLER

No.	RoHS	Part No.	Part name	Symbol in Wiring Diagram	Q'ty/unit																		Remarks
					MSZ-EF																		
					18			22			25			35			42			50			
VEW	VEB	VES	VEW	VEB	VES	VEW	VEB	VES	VEW	VEB	VES	VEW	VEB	VES	VEW	VEB	VES	VEW	VEB	VES			
11	G	E12 F95 426	REMOTE CONTROLLER		1	1	1	1	1	1	1	1	1	1	1	1	1	1	1	1	1	1	SG11D
12	G	E12 F28 083	REMOTE CONTROLLER HOLDER		1	1	1	1	1	1	1	1	1	1	1	1	1	1	1	1	1	1	

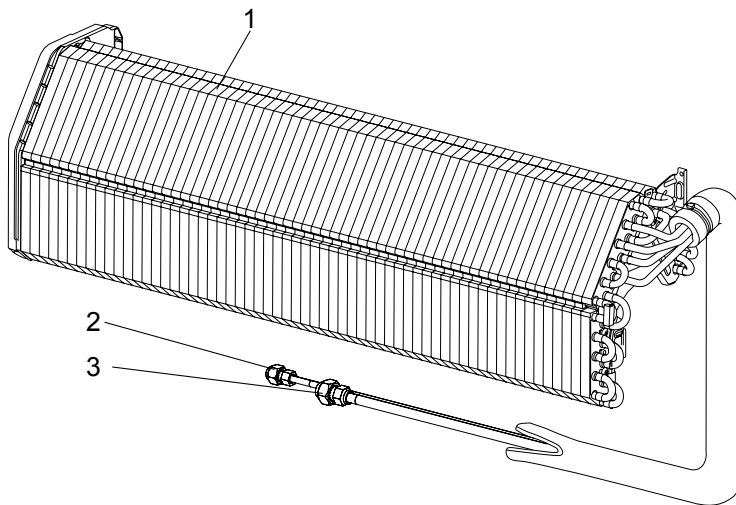
RoHS PARTS LIST

MSZ-EF18VEW MSZ-EF22VEW MSZ-EF25VEW MSZ-EF35VEW MSZ-EF42VEW MSZ-EF50VEW
 MSZ-EF18VEB MSZ-EF22VEB MSZ-EF25VEB MSZ-EF35VEB MSZ-EF42VEB MSZ-EF50VEB
 MSZ-EF18VES MSZ-EF22VES MSZ-EF25VES MSZ-EF35VES MSZ-EF42VES MSZ-EF50VES

1-3. INDOOR UNIT ELECTRICAL PARTS AND FUNCTIONAL PARTS



1-4. INDOOR UNIT HEAT EXCHANGER



RoHS PARTS LIST

1-3. INDOOR UNIT ELECTRICAL PARTS AND FUNCTIONAL PARTS

No.	RoHS	Part No.	Part name	Symbol in Wiring Diagram	Q'ty/unit																		Remarks
					MSZ-EF																		
					18			22			25			35			42			50			
VEW	VEB	VES	VEW	VEB	VES	VEW	VEB	VES	VEW	VEB	VES	VEW	VEB	VES	VEW	VEB	VES						
-E1	-E1	-E1	-E1	-E1	-E1	-E1	-E1	-E1	-E1	-E1	-E1	-E1	-E1	-E1	-E1	-E1	-E1						
1	G	E12 751 509	BEARING MOUNT		1	1	1	1	1	1	1	1	1	1	1	1	1	1	1				
2	G	E12 001 504	SLEEVE BEARING		1	1	1	1	1	1	1	1	1	1	1	1	1	1	1				
3	G	E12 897 702	DRAIN HOSE		1	1	1	1	1	1	1	1	1	1	1	1	1	1	1				
4	G	E12 F95 235	NOZZLE ASSEMBLY		1			1			1			1			1						
	G	E12 G21 235			1			1			1			1			1						
	G	E12 G26 235				1			1			1			1			1					
5	G	E12 F95 040	VANE UPPER		1			1			1			1			1						
	G	E12 G21 040			1			1			1			1			1						
	G	E12 G26 040				1			1			1			1			1					
6	G	E12 F95 041	VANE LOWER		1			1			1			1			1						
	G	E12 G21 041			1			1			1			1			1						
	G	E12 G26 041				1			1			1			1			1					
7	G	E12 A89 303	VANE MOTOR	MV	2	2	2	2	2	2	2	2	2	2	2	2	2	2	2	UP & DOWN, 1 PC/SET			
8	G	E12 F95 308	ROOM TEMPERATURE THERMISTOR	RT11	1	1	1	1	1	1	1	1	1	1	1	1	1	1	1				
9	G	E12 F95 095	DISPLAY P.C. BOARD HOLDER		1	1	1	1	1	1	1	1	1	1	1	1	1	1	1				
10	G	E12 F95 375	TERMINAL BLOCK	TB	1	1	1	1	1	1	1	1	1	1	1	1	1	1	1				
11	G	E12 F95 452	ELECTRONIC CONTROL P.C. BOARD ※1		1	1	1	1	1	1													
	G	E12 G22 452									1	1	1										
	G	E12 G23 452												1	1	1							
	G	E12 G24 452														1	1	1					
	G	E12 G25 452																1	1	1			
12	G	E12 F98 440	POWER P.C. BOARD		1	1	1	1	1	1	1	1	1	1	1	1	1	1	1				
13	G	E12 F95 307	INDOOR COIL THERMISTOR	RT12,RT13	1	1	1	1	1	1	1	1	1	1	1	1	1	1	1				
14	G	E12 B75 385	VARISTOR	NR11	1	1	1	1	1	1	1	1	1	1	1	1	1	1	1				
15	G	E12 A49 382	FUSE	F11	1	1	1	1	1	1	1	1	1	1	1	1	1	1	1	T3.15AL250V			
16	G	E12 F95 784	V.A. CLAMP		1	1	1	1	1	1	1	1	1	1	1	1	1	1	1				
17	G	E12 F95 541	WATER CUT		1	1	1	1	1	1	1	1	1	1	1	1	1	1	1				
18	G	E12 F95 300	INDOOR FAN MOTOR ※2	MF	1	1	1	1	1	1	1	1	1	1	1	1	1	1	1	RC0J40-□□			
19	G	E12 F95 333	MOTOR BAND		1	1	1	1	1	1	1	1	1	1	1	1	1	1	1				
20	G	E12 F95 302	LINE FLOW FAN		1	1	1	1	1	1	1	1	1	1	1	1	1	1	1				

※1 Including RECEIVER BOARD, DISPLAY BOARD and SWITCH BOARD.

※2 Including FAN MOTOR RUBBER MOUNT (2 PCS/SET)

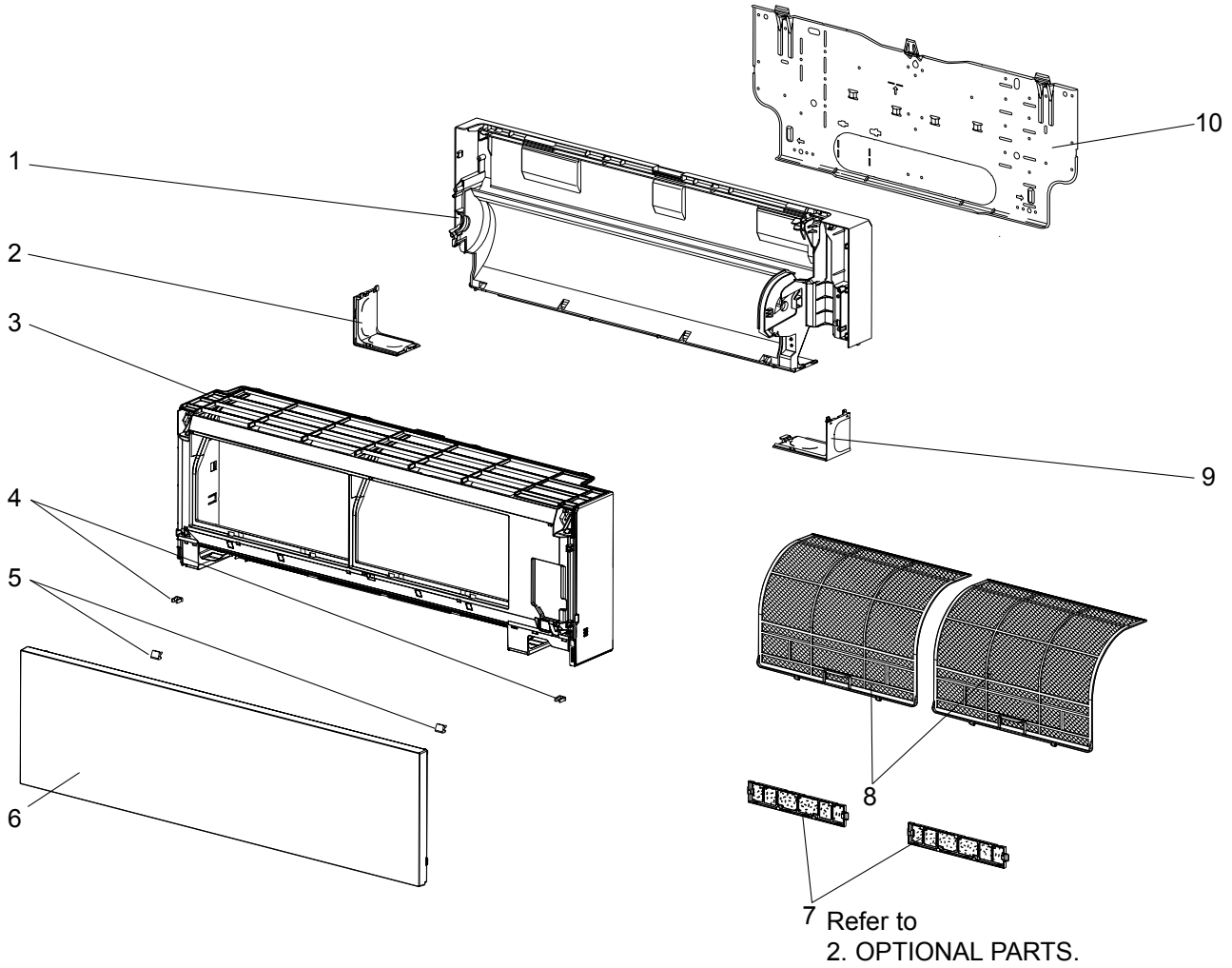
1-4. INDOOR UNIT HEAT EXCHANGER

No.	RoHS	Part No.	Part name	Symbol in Wiring Diagram	Q'ty/unit																		Remarks
					MSZ-EF																		
					18			22			25			35			42			50			
VEW	VEB	VES	VEW	VEB	VES	VEW	VEB	VES	VEW	VEB	VES	VEW	VEB	VES	VEW	VEB	VES						
-E1	-E1	-E1	-E1	-E1	-E1	-E1	-E1	-E1	-E1	-E1	-E1	-E1	-E1	-E1	-E1	-E1	-E1						
1	G	E12 F95 620	INDOOR HEAT EXCHANGER		1	1	1	1	1	1	1	1	1	1	1	1	1	1	1				
	G	E12 F99 620																1	1	1			
2	G	E12 151 667	UNION (LIQUID)		1	1	1	1	1	1	1	1	1	1	1	1	1	1	1	ø6.35			
3	G	E12 815 666	UNION (GAS)		1	1	1	1	1	1	1	1	1	1	1	1	1	1	1	ø9.52			
	G	E12 155 666																1	1	1	ø12.7		

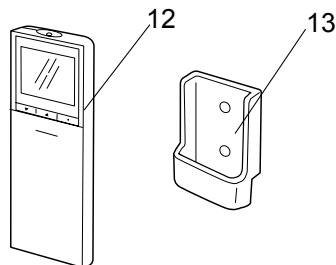
RoHS PARTS LIST

MSZ-EF18VE2W -E1 MSZ-EF22VE2W -E1 MSZ-EF25VE2W -E1
 MSZ-EF18VE2B -E1 MSZ-EF22VE2B -E1 MSZ-EF25VE2B -E1
 MSZ-EF18VE2S -E1 MSZ-EF22VE2S -E1 MSZ-EF25VE2S -E1
 MSZ-EF35VE2W -E1 MSZ-EF42VE2W -E1 MSZ-EF50VE2W -E1
 MSZ-EF35VE2B -E1 MSZ-EF42VE2B -E1 MSZ-EF50VE2B -E1
 MSZ-EF35VE2S -E1 MSZ-EF42VE2S -E1 MSZ-EF50VE2S -E1

1-5. INDOOR UNIT STRUCTURAL PARTS



1-6. ACCESSORY AND REMOTE CONTROLLER



RoHS PARTS LIST

1-5. INDOOR UNIT STRUCTURAL PARTS

Part numbers that is circled is not shown in the illustration.

No.	RoHS	Part No.	Part name	Symbol in Wiring Diagram	Q'ty/unit															Remarks	
					MSZ-EF																
					18			22			25			35			42				50
VE2W	VE2B	VE2S	VE2W	VE2B	VE2S	VE2W	VE2B	VE2S	VE2W	VE2B	VE2S	VE2W	VE2B	VE2S	VE2W	VE2B	VE2S				
1	G	E12 F95 234	BOX ASSEMBLY		1			1			1			1			1				
	G	E12 G21 234						1			1			1			1				
	G	E12 G26 234						1			1			1			1				
2	G	E12 F95 976	CORNER BOX LEFT		1			1			1			1			1				
	G	E12 G21 976						1			1			1			1				
	G	E12 G26 976						1			1			1			1				
3	G	E12 M42 000	PANEL ASSEMBLY		1			1			1			1			1			Including No. 3,4,5	
	G	E12 M38 000						1			1			1			1				Including No. 3,4,5
	G	E12 M40 000						1			1			1			1				
4	G	E12 F95 142	CATCH		2	2	2	2	2	2	2	2	2	2	2	2	2	2	2	2 PCS/SET	
5	G	E12 F95 067	SCREW CAP		2			2			2			2			2			2 PCS/SET	
	G	E12 G21 067						2			2			2			2				
	G	E12 G26 067						2			2			2			2				
6	G	E12 M42 010	FRONT PANEL		1			1			1			1			1				
	G	E12 M38 010						1			1			1			1				
	G	E12 M40 010						1			1			1			1				
7	G	—	AIR CLEANING FILTER		2	2	2	2	2	2	2	2	2	2	2	2	2	2	1 PC/SET		
8	G	E12 F95 100	NANO PLATINUM FILTER		2	2	2	2	2	2	2	2	2	2	2	2	2	2	1 PC/SET		
9	G	E12 F95 975	CORNER BOX RIGHT		1			1			1			1			1				
	G	E12 G21 975						1			1			1			1				
	G	E12 G26 975						1			1			1			1				
10	G	E12 F95 970	INSTALLATION PLATE		1	1	1	1	1	1	1	1	1	1	1	1	1	1			
⑪	G	—	SOFT DRY CLOTH					1						1				1	MAC-1001CL-E		

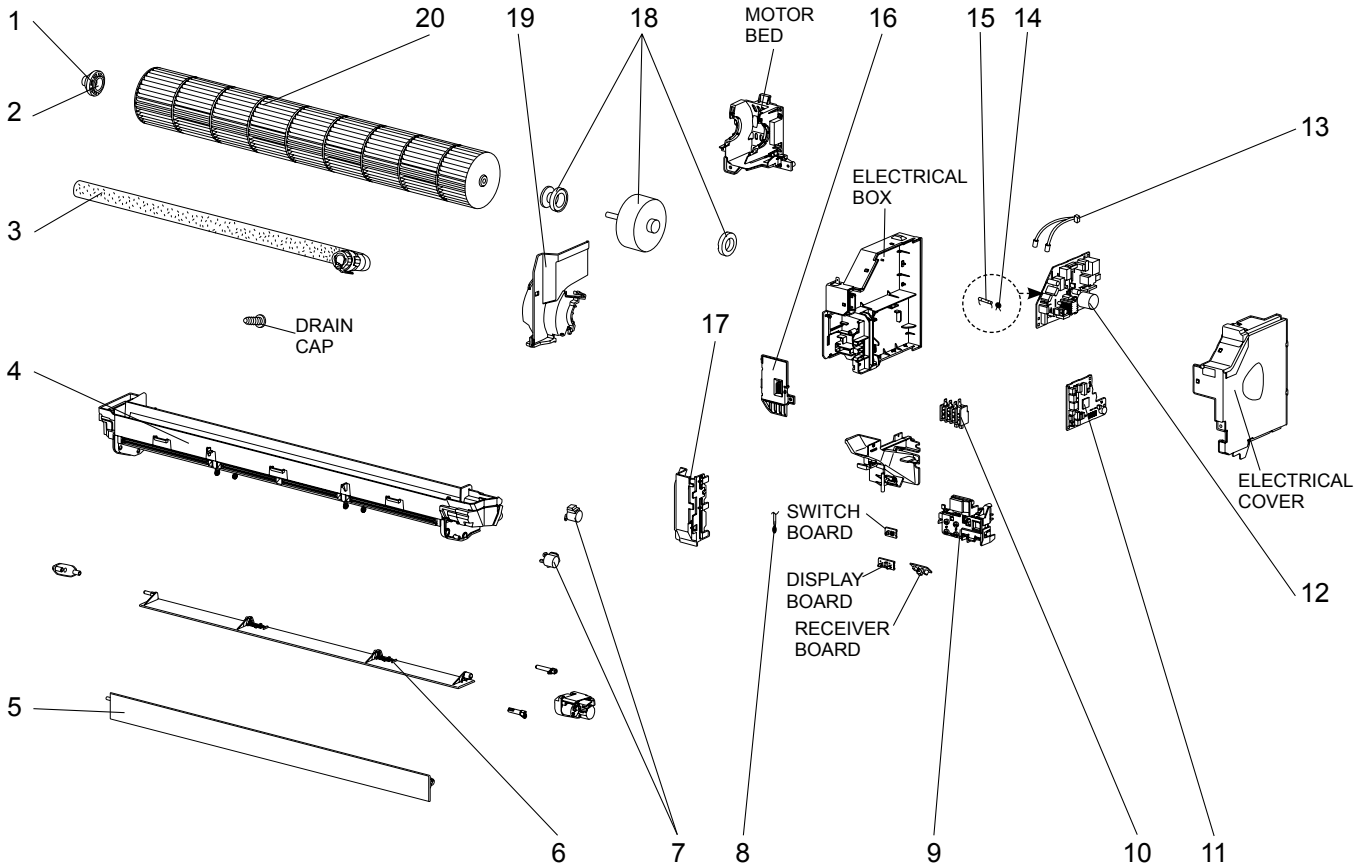
1-6. ACCESSORY AND REMOTE CONTROLLER

No.	RoHS	Part No.	Part name	Symbol in Wiring Diagram	Q'ty/unit															Remarks
					MSZ-EF															
					18			22			25			35			42			
VE2W	VE2B	VE2S	VE2W	VE2B	VE2S	VE2W	VE2B	VE2S	VE2W	VE2B	VE2S	VE2W	VE2B	VE2S	VE2W	VE2B	VE2S			
12	G	E12 M42 426	REMOTE CONTROLLER		1	1	1	1	1	1	1	1	1	1	1	1	1	1	SG14D	
13	G	E12 F28 083	REMOTE CONTROLLER HOLDER		1	1	1	1	1	1	1	1	1	1	1	1	1	1		

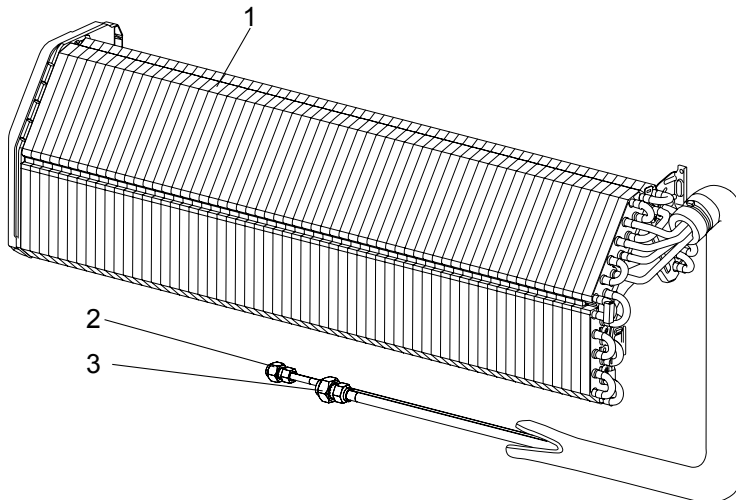
RoHS PARTS LIST

MSZ-EF18VE2W -[E1] MSZ-EF22VE2W -[E1] MSZ-EF25VE2W -[E1]
MSZ-EF18VE2B -[E1] MSZ-EF22VE2B -[E1] MSZ-EF25VE2B -[E1]
MSZ-EF18VE2S -[E1] MSZ-EF22VE2S -[E1] MSZ-EF25VE2S -[E1]
MSZ-EF35VE2W -[E1] MSZ-EF42VE2W -[E1] MSZ-EF50VE2W -[E1]
MSZ-EF35VE2B -[E1] MSZ-EF42VE2B -[E1] MSZ-EF50VE2B -[E1]
MSZ-EF35VE2S -[E1] MSZ-EF42VE2S -[E1] MSZ-EF50VE2S -[E1]

1-7. INDOOR UNIT ELECTRICAL PARTS AND FUNCTIONAL PARTS



1-8. INDOOR UNIT HEAT EXCHANGER



RoHS PARTS LIST

1-7. INDOOR UNIT ELECTRICAL PARTS AND FUNCTIONAL PARTS

No.	RoHS	Part No.	Part name	Symbol in Wiring Diagram	Q'ty/unit																		Remarks
					MSZ-EF																		
					18			22			25			35			42			50			
VE2W	VE2B	VE2S	VE2W	VE2B	VE2S	VE2W	VE2B	VE2S	VE2W	VE2B	VE2S	VE2W	VE2B	VE2S	VE2W	VE2B	VE2S						
.E1	.E1	.E1	.E1	.E1	.E1	.E1	.E1	.E1	.E1	.E1	.E1	.E1	.E1	.E1	.E1	.E1	.E1						
1	G	E12 751 509	BEARING MOUNT		1	1	1	1	1	1	1	1	1	1	1	1	1	1					
2	G	E12 001 504	SLEEVE BEARING		1	1	1	1	1	1	1	1	1	1	1	1	1	1					
3	G	E12 897 702	DRAIN HOSE		1	1	1	1	1	1	1	1	1	1	1	1	1	1					
4	G	E12 F95 235	NOZZLE ASSEMBLY		1		1		1		1		1		1		1						
	G	E12 G21 235			1		1		1		1		1		1		1						
	G	E12 G26 235			1		1		1		1		1		1		1						
5	G	E12 F95 040	VANE UPPER		1		1		1		1		1		1		1						
	G	E12 G21 040			1		1		1		1		1		1		1						
	G	E12 G26 040			1		1		1		1		1		1		1						
6	G	E12 F95 041	VANE LOWER		1		1		1		1		1		1		1						
	G	E12 G21 041			1		1		1		1		1		1		1						
	G	E12 G26 041			1		1		1		1		1		1		1						
7	G	E12 A89 303	VANE MOTOR	MV	2	2	2	2	2	2	2	2	2	2	2	2	2	2	UP & DOWN, 1 PC/SET				
8	G	E12 F95 308	ROOM TEMPERATURE THERMISTOR	RT11	1	1	1	1	1	1	1	1	1	1	1	1	1	1					
9	G	E12 F95 095	DISPLAY P.C. BOARD HOLDER		1	1	1	1	1	1	1	1	1	1	1	1	1	1					
10	G	E12 F95 375	TERMINAL BLOCK	TB	1	1	1	1	1	1	1	1	1	1	1	1	1	1					
11	G	E12 K14 452	ELECTRONIC CONTROL P.C. BOARD ※1		1	1	1	1	1	1													
	G	E12 K15 452							1	1	1												
	G	E12 K16 452										1	1	1									
	G	E12 K17 452													1	1	1						
	G	E12 K18 452															1	1	1				
12	G	E12 F98 440	POWER P.C. BOARD		1	1	1	1	1	1	1	1	1	1	1	1	1	1					
13	G	E12 F95 307	INDOOR COIL THERMISTOR	RT12,RT13	1	1	1	1	1	1	1	1	1	1	1	1	1	1					
14	G	E12 B75 385	VARISTOR	NR11	1	1	1	1	1	1	1	1	1	1	1	1	1	1					
15	G	E12 A49 382	FUSE	F11	1	1	1	1	1	1	1	1	1	1	1	1	1	1	T3.15AL250V				
16	G	E12 F95 784	V.A. CLAMP		1	1	1	1	1	1	1	1	1	1	1	1	1	1					
17	G	E12 F95 541	WATER CUT		1	1	1	1	1	1	1	1	1	1	1	1	1	1					
18	G	E12 F95 300	INDOOR FAN MOTOR ※2	MF	1	1	1	1	1	1	1	1	1	1	1	1	1	1	RC0J40-□□				
19	G	E12 F95 333	MOTOR BAND		1	1	1	1	1	1	1	1	1	1	1	1	1	1					
20	G	E12 F95 302	LINE FLOW FAN		1	1	1	1	1	1	1	1	1	1	1	1	1	1					

※1 Including RECEIVER BOARD, DISPLAY BOARD and SWITCH BOARD.

※2 Including FAN MOTOR RUBBER MOUNT (2 PCS/SET)

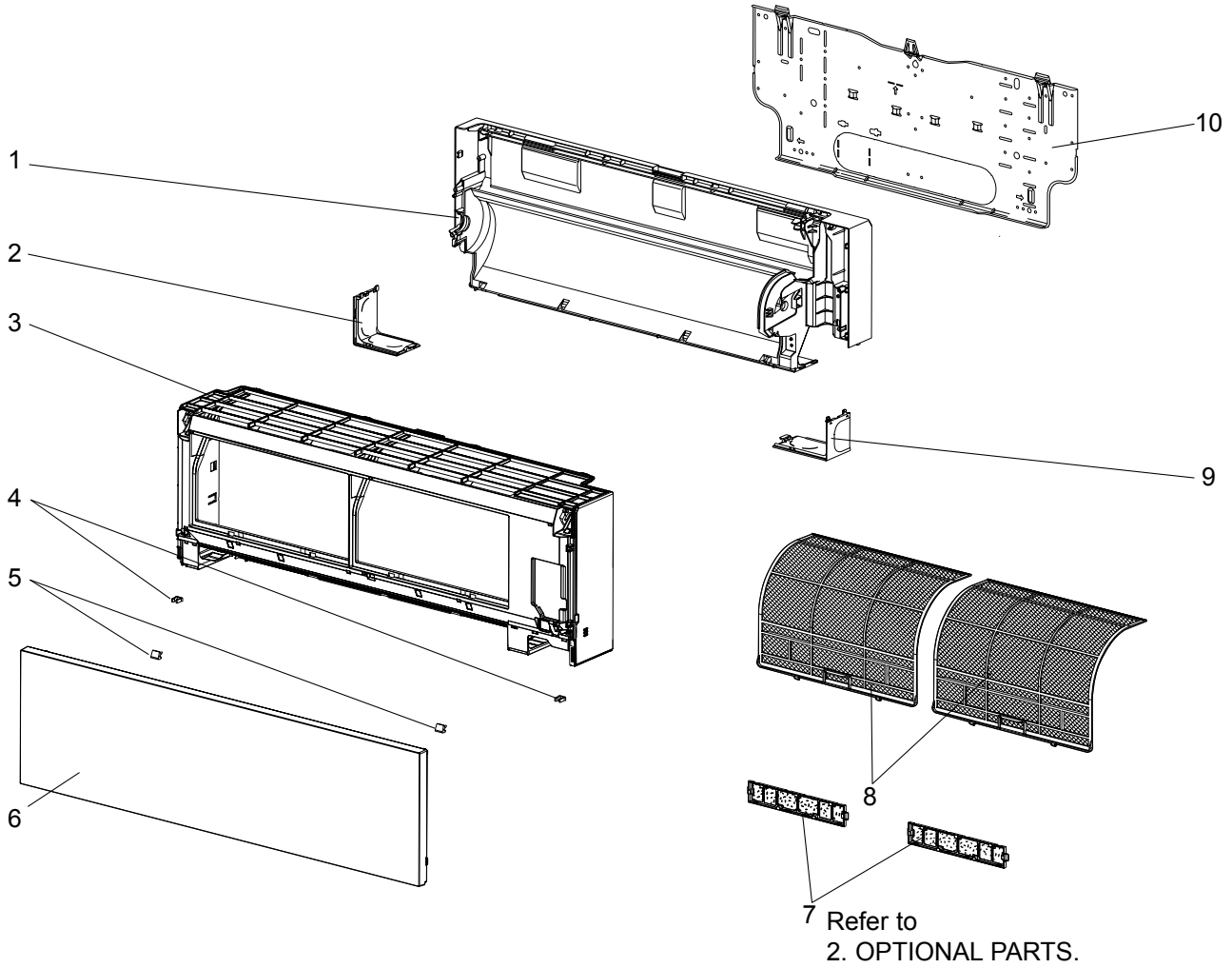
1-8. INDOOR UNIT HEAT EXCHANGER

No.	RoHS	Part No.	Part name	Symbol in Wiring Diagram	Q'ty/unit																		Remarks
					MSZ-EF																		
					18			22			25			35			42			50			
VE2W	VE2B	VE2S	VE2W	VE2B	VE2S	VE2W	VE2B	VE2S	VE2W	VE2B	VE2S	VE2W	VE2B	VE2S	VE2W	VE2B	VE2S						
.E1	.E1	.E1	.E1	.E1	.E1	.E1	.E1	.E1	.E1	.E1	.E1	.E1	.E1	.E1	.E1	.E1	.E1						
1	G	E12 F95 620	INDOOR HEAT EXCHANGER		1	1	1	1	1	1	1	1	1	1	1	1	1	1					
	G	E12 F99 620																1	1	1			
2	G	E12 151 667	UNION (LIQUID)		1	1	1	1	1	1	1	1	1	1	1	1	1	1	ø6.35				
3	G	E12 815 666	UNION (GAS)		1	1	1	1	1	1	1	1	1	1	1	1	1	1	ø9.52				
	G	E12 155 666																1	1	1	ø12.7		

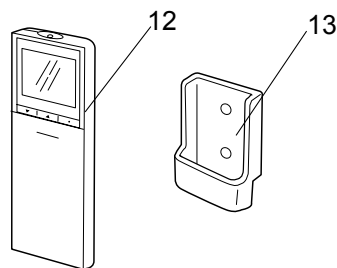
RoHS PARTS LIST

MSZ-EF18VE2W -ER1 MSZ-EF22VE2W -ER1 MSZ-EF25VE2W -ER1
 MSZ-EF18VE2B -ER1 MSZ-EF22VE2B -ER1 MSZ-EF25VE2B -ER1
 MSZ-EF18VE2S -ER1 MSZ-EF22VE2S -ER1 MSZ-EF25VE2S -ER1
 MSZ-EF35VE2W -ER1 MSZ-EF42VE2W -ER1 MSZ-EF50VE2W -ER1
 MSZ-EF35VE2B -ER1 MSZ-EF42VE2B -ER1 MSZ-EF50VE2B -ER1
 MSZ-EF35VE2S -ER1 MSZ-EF42VE2S -ER1 MSZ-EF50VE2S -ER1

1-9. INDOOR UNIT STRUCTURAL PARTS



1-10. ACCESSORY AND REMOTE CONTROLLER



RoHS PARTS LIST

1-9. INDOOR UNIT STRUCTURAL PARTS

Part numbers that is circled is not shown in the illustration.

No.	RoHS	Part No.	Part name	Symbol in Wiring Diagram	Q'ty/unit																		Remarks
					MSZ-EF																		
					18			22			25			35			42			50			
					VE2W	VE2B	VE2S	VE2W	VE2B	VE2S	VE2W	VE2B	VE2S	VE2W	VE2B	VE2S	VE2W	VE2B	VE2S	VE2W	VE2B	VE2S	
1	G	E12 F95 234	BOX ASSEMBLY		1		1		1		1		1		1		1		1				
	G	E12 G21 234				1		1		1		1		1		1		1		1			
	G	E12 G26 234				1		1		1		1		1		1		1		1			
2	G	E12 F95 976	CORNER BOX LEFT		1		1		1		1		1		1		1		1				
	G	E12 G21 976				1		1		1		1		1		1		1		1			
	G	E12 G26 976				1		1		1		1		1		1		1		1			
3	G	E12 M42 000	PANEL ASSEMBLY		1		1		1		1		1		1		1		1	Including No. 3,4,5			
	G	E12 M38 000				1		1		1		1		1		1		1		1	Including No. 3,4,5		
	G	E12 M40 000				1		1		1		1		1		1		1		1	Including No. 3,4,5		
4	G	E12 F95 142	CATCH		2	2	2	2	2	2	2	2	2	2	2	2	2	2	2	2	2 PCS/SET		
5	G	E12 F95 067	SCREW CAP		2		2		2		2		2		2		2		2	2 PCS/SET			
	G	E12 G21 067				2		2		2		2		2		2		2		2	2 PCS/SET		
	G	E12 G26 067				2		2		2		2		2		2		2		2	2 PCS/SET		
6	G	E12 M42 010	FRONT PANEL		1		1		1		1		1		1		1		1				
	G	E12 M38 010				1		1		1		1		1		1		1		1			
	G	E12 M40 010				1		1		1		1		1		1		1		1			
7	G	—	AIR CLEANING FILTER		2	2	2	2	2	2	2	2	2	2	2	2	2	2	2	2	1 PC/SET		
8	G	E12 F95 100	NANO PLATINUM FILTER		2	2	2	2	2	2	2	2	2	2	2	2	2	2	2	2	1 PC/SET		
9	G	E12 F95 975	CORNER BOX RIGHT		1		1		1		1		1		1		1		1				
	G	E12 G21 975				1		1		1		1		1		1		1		1			
	G	E12 G26 975				1		1		1		1		1		1		1		1			
10	G	E12 F95 970	INSTALLATION PLATE		1	1	1	1	1	1	1	1	1	1	1	1	1	1	1	1			
(11)	G	—	SOFT DRY CLOTH		1		1		1		1		1		1		1		1	MAC-1001CL-E			

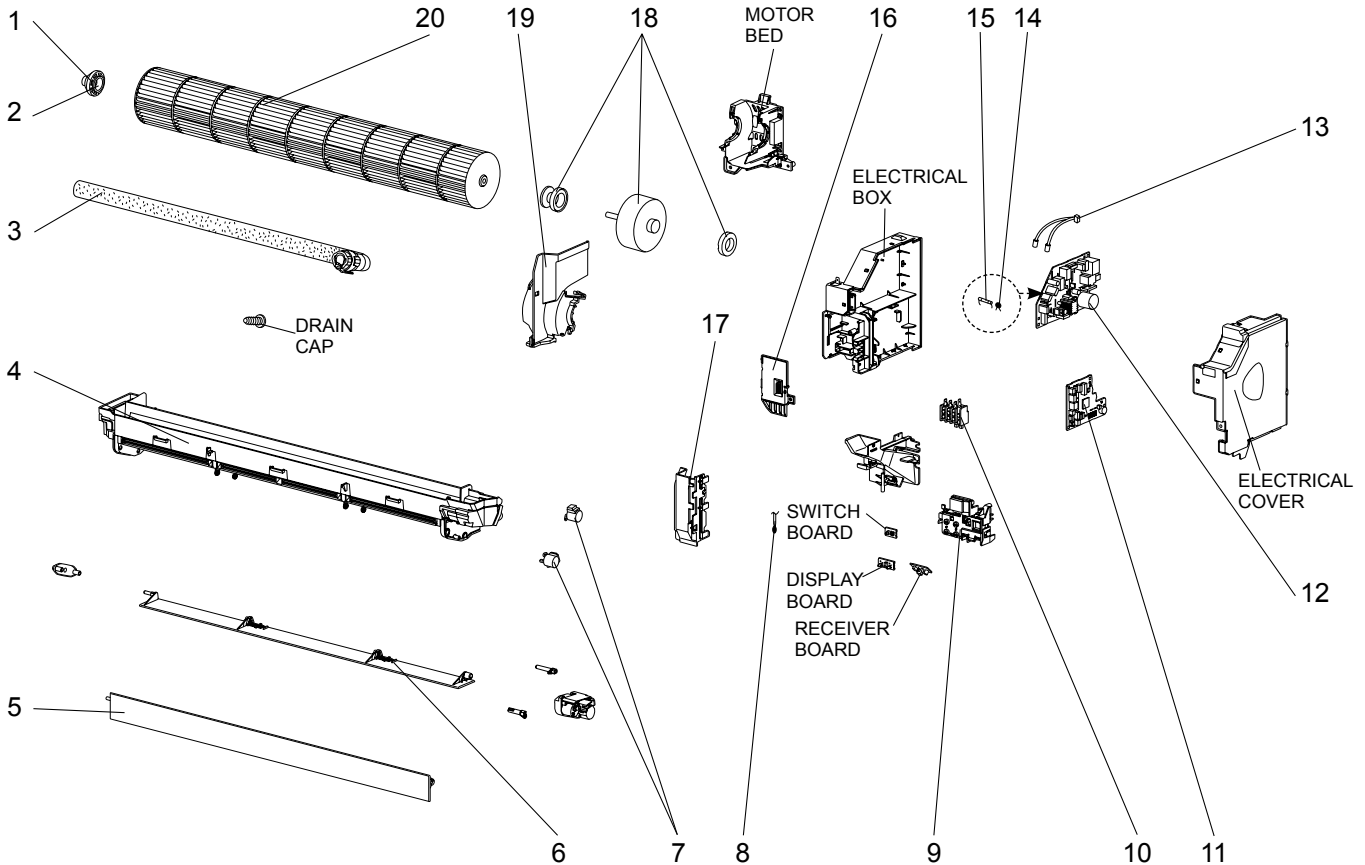
1-10. ACCESSORY AND REMOTE CONTROLLER

No.	RoHS	Part No.	Part name	Symbol in Wiring Diagram	Q'ty/unit																		Remarks
					MSZ-EF																		
					18			22			25			35			42			50			
					VE2W	VE2B	VE2S	VE2W	VE2B	VE2S	VE2W	VE2B	VE2S	VE2W	VE2B	VE2S	VE2W	VE2B	VE2S	VE2W	VE2B	VE2S	
12	G	E12 M42 426	REMOTE CONTROLLER		1	1	1	1	1	1	1	1	1	1	1	1	1	1	1	1	SG14D		
13	G	E12 F28 083	REMOTE CONTROLLER HOLDER		1	1	1	1	1	1	1	1	1	1	1	1	1	1	1	1			

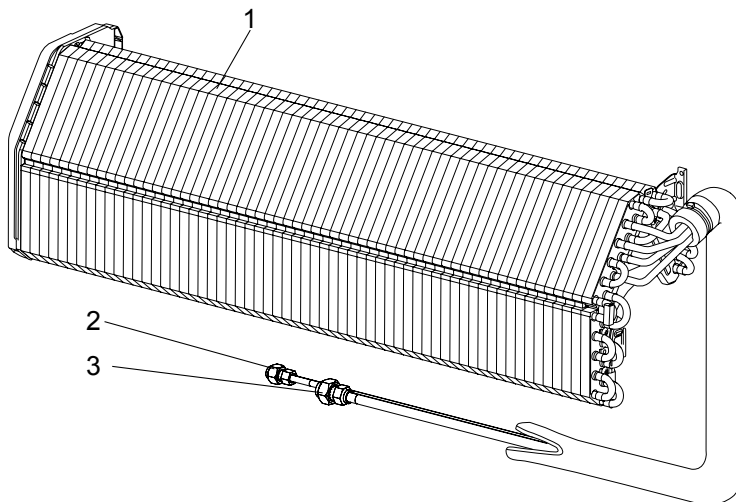
RoHS PARTS LIST

MSZ-EF18VE2W -[ER1] MSZ-EF22VE2W -[ER1] MSZ-EF25VE2W -[ER1]
MSZ-EF18VE2B -[ER1] MSZ-EF22VE2B -[ER1] MSZ-EF25VE2B -[ER1]
MSZ-EF18VE2S -[ER1] MSZ-EF22VE2S -[ER1] MSZ-EF25VE2S -[ER1]
MSZ-EF35VE2W -[ER1] MSZ-EF42VE2W -[ER1] MSZ-EF50VE2W -[ER1]
MSZ-EF35VE2B -[ER1] MSZ-EF42VE2B -[ER1] MSZ-EF50VE2B -[ER1]
MSZ-EF35VE2S -[ER1] MSZ-EF42VE2S -[ER1] MSZ-EF50VE2S -[ER1]

1-11. INDOOR UNIT ELECTRICAL PARTS AND FUNCTIONAL PARTS



1-12. INDOOR UNIT HEAT EXCHANGER



RoHS PARTS LIST

1-11. INDOOR UNIT ELECTRICAL PARTS AND FUNCTIONAL PARTS

No.	RoHS	Part No.	Part name	Symbol in Wiring Diagram	Q'ty/unit																		Remarks
					MSZ-EF																		
					18			22			25			35			42			50			
					VE2W	VE2B	VE2S	VE2W	VE2B	VE2S	VE2W	VE2B	VE2S	VE2W	VE2B	VE2S	VE2W	VE2B	VE2S	VE2W	VE2B	VE2S	
1	G	E12 751 509	BEARING MOUNT		1	1	1	1	1	1	1	1	1	1	1	1	1	1	1				
2	G	E12 001 504	SLEEVE BEARING		1	1	1	1	1	1	1	1	1	1	1	1	1	1	1				
3	G	E12 897 702	DRAIN HOSE		1	1	1	1	1	1	1	1	1	1	1	1	1	1	1				
4	G	E12 F95 235	NOZZLE ASSEMBLY		1		1			1			1			1			1				
	G	E12 G21 235			1		1			1			1			1			1				
	G	E12 G26 235				1		1			1			1			1			1			
5	G	E12 F95 040	VANE UPPER		1		1			1			1			1			1				
	G	E12 G21 040				1		1			1			1			1			1			
	G	E12 G26 040					1			1			1			1			1				
6	G	E12 F95 041	VANE LOWER		1		1			1			1			1			1				
	G	E12 G21 041				1		1			1			1			1			1			
	G	E12 G26 041					1			1			1			1			1				
7	G	E12 A89 303	VANE MOTOR	MV	2	2	2	2	2	2	2	2	2	2	2	2	2	2	2	UP & DOWN, 1 PC/SET			
8	G	E12 F95 308	ROOM TEMPERATURE THERMISTOR	RT11	1	1	1	1	1	1	1	1	1	1	1	1	1	1	1				
9	G	E12 F95 095	DISPLAY P.C. BOARD HOLDER		1	1	1	1	1	1	1	1	1	1	1	1	1	1	1				
10	G	E12 F95 375	TERMINAL BLOCK	TB	1	1	1	1	1	1	1	1	1	1	1	1	1	1	1				
11	G	E12 K14 452	ELECTRONIC CONTROL P.C. BOARD ※1		1	1	1	1	1	1													
	G	E12 K15 452						1	1	1													
	G	E12 K16 452									1	1	1										
	G	E12 K17 452												1	1	1							
	G	E12 K18 452															1	1	1				
12	G	E12 F98 440	POWER P.C. BOARD		1	1	1	1	1	1	1	1	1	1	1	1	1	1	1				
13	G	E12 F95 307	INDOOR COIL THERMISTOR	RT12,RT13	1	1	1	1	1	1	1	1	1	1	1	1	1	1	1				
14	G	E12 B75 385	VARISTOR	NR11	1	1	1	1	1	1	1	1	1	1	1	1	1	1	1				
15	G	E12 A49 382	FUSE	F11	1	1	1	1	1	1	1	1	1	1	1	1	1	1	1	T3.15AL250V			
16	G	E12 F95 784	V.A. CLAMP		1	1	1	1	1	1	1	1	1	1	1	1	1	1	1				
17	G	E12 F95 541	WATER CUT		1	1	1	1	1	1	1	1	1	1	1	1	1	1	1				
18	G	E12 F95 300	INDOOR FAN MOTOR ※2	MF	1	1	1	1	1	1	1	1	1	1	1	1	1	1	1	RC0J40-□□			
19	G	E12 F95 333	MOTOR BAND		1	1	1	1	1	1	1	1	1	1	1	1	1	1	1				
20	G	E12 F95 302	LINE FLOW FAN		1	1	1	1	1	1	1	1	1	1	1	1	1	1	1				

※1 Including RECEIVER BOARD, DISPLAY BOARD and SWITCH BOARD.

※2 Including FAN MOTOR RUBBER MOUNT (2 PCS/SET)

1-12. INDOOR UNIT HEAT EXCHANGER

No.	RoHS	Part No.	Part name	Symbol in Wiring Diagram	Q'ty/unit																		Remarks
					MSZ-EF																		
					18			22			25			35			42			50			
					VE2W	VE2B	VE2S	VE2W	VE2B	VE2S	VE2W	VE2B	VE2S	VE2W	VE2B	VE2S	VE2W	VE2B	VE2S	VE2W	VE2B	VE2S	
1	G	E12 F95 620	INDOOR HEAT EXCHANGER		1	1	1	1	1	1	1	1	1	1	1	1							
	G	E12 F99 620															1	1	1				
2	G	E12 151 667	UNION (LIQUID)		1	1	1	1	1	1	1	1	1	1	1	1	1	1	1	ø6.35			
3	G	E12 815 666	UNION (GAS)		1	1	1	1	1	1	1	1	1	1	1	1				ø9.52			
	G	E12 155 666															1	1	1	ø12.7			

2-1. AIR CLEANING FILTER (ELECTROSTATIC ANTI-ALLERGY ENZYME FILTER)

Every 3 months:

- Remove dirt by a vacuum cleaner.

When dirt cannot be removed by vacuum cleaning:

- Soak the filter and its frame in lukewarm water before rinsing it.
- After washing, dry it well in shade. Install all tabs of the air filter.

Every year:

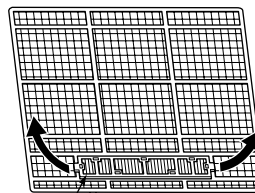
- Replace it with a new air cleaning filter for best performance.

NOTE 1: Clean the filters regularly for best performance and to reduce power consumption.

NOTE 2: Dirty filters cause condensation in the air conditioner which will contribute to the growth of fungi such as mold. It is therefore recommended to clean air filters every 2 weeks.

Model		Part No.
MSZ-EF18VEW	MSZ-EF18VE2W	MAC-2320FT
MSZ-EF18VEB	MSZ-EF18VE2B	
MSZ-EF18VES	MSZ-EF18VE2S	
MSZ-EF22VEW	MSZ-EF22VE2W	
MSZ-EF22VEB	MSZ-EF22VE2B	
MSZ-EF22VES	MSZ-EF22VE2S	
MSZ-EF25VEW	MSZ-EF25VE2W	
MSZ-EF25VEB	MSZ-EF25VE2B	
MSZ-EF25VES	MSZ-EF25VE2S	
MSZ-EF35VEW	MSZ-EF35VE2W	
MSZ-EF35VEB	MSZ-EF35VE2B	
MSZ-EF35VES	MSZ-EF35VE2S	
MSZ-EF42VEW	MSZ-EF42VE2W	
MSZ-EF42VEB	MSZ-EF42VE2B	
MSZ-EF42VES	MSZ-EF42VE2S	
MSZ-EF50VEW	MSZ-EF50VE2W	
MSZ-EF50VEB	MSZ-EF50VE2B	
MSZ-EF50VES	MSZ-EF50VE2S	

Pull to remove from the air filter



Air cleaning filter
(Electrostatic anti-allergy enzyme filter)

2-2. SOFT DRY CLOTH

- Clean the panel with the soft dry cloth when it is dirty.

Model		Part No.
MSZ-EF18VEW	MSZ-EF18VE2W	MAC-1001CL-E
MSZ-EF18VES	MSZ-EF18VE2S	
MSZ-EF22VEW	MSZ-EF22VE2W	
MSZ-EF22VES	MSZ-EF22VE2S	
MSZ-EF25VEW	MSZ-EF25VE2W	
MSZ-EF25VES	MSZ-EF25VE2S	
MSZ-EF35VEW	MSZ-EF35VE2W	
MSZ-EF35VES	MSZ-EF35VE2S	
MSZ-EF42VEW	MSZ-EF42VE2W	
MSZ-EF42VES	MSZ-EF42VE2S	
MSZ-EF50VEW	MSZ-EF50VE2W	
MSZ-EF50VES	MSZ-EF50VE2S	

MITSUBISHI ELECTRIC CORPORATION

HEAD OFFICE: TOKYO BLDG., 2-7-3, MARUNOUCHI, CHIYODA-KU, TOKYO 100-8310, JAPAN

© Copyright 2010 MITSUBISHI ELECTRIC CORPORATION
 Distributed in Jan. 2014. No.OBB589 REVISED EDITION-C
 Distributed in Nov. 2012. No.OBB589 REVISED EDITION-B
 Distributed in Apr. 2012. No.OBB589 REVISED EDITION-A
 Distributed in Nov. 2010. No. OBB589
 Made in Japan

New publication, effective Jan. 2014
 Specifications are subject to change without notice.