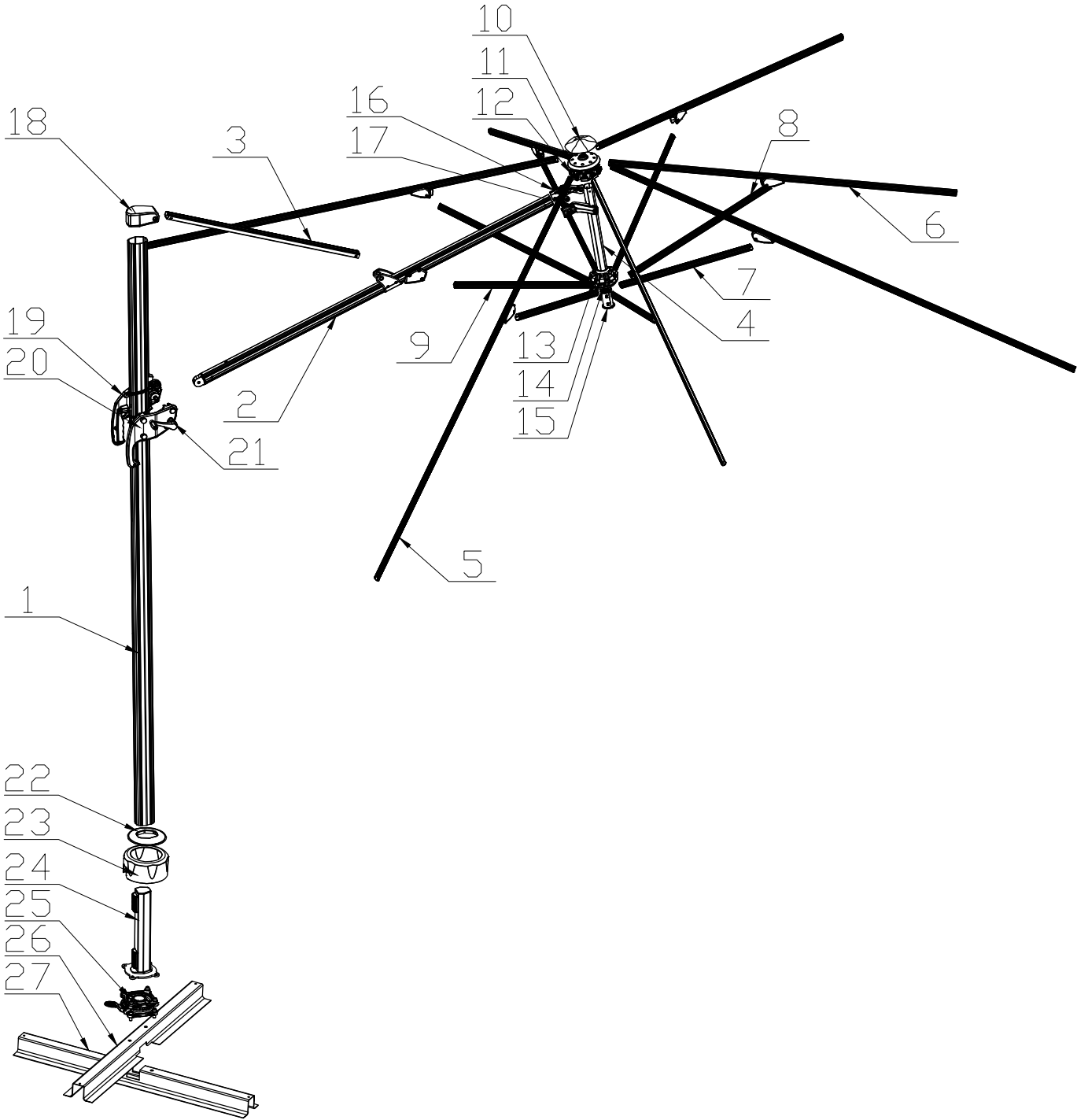


URM038016H 爆炸图



| | | | | | |
|---------|-------------|-------------------------------|----------|-------------------------------------|----------------|
| 27 | | cross base | 1 | Steel | |
| 26 | | cross base | 1 | Steel | |
| 25 | B-460A | 360 Rotating base | 1 | Alu alloy ZL104 | |
| 24 | | pole of 360 Rotating base | 1 | Steel | |
| 23 | SZ1089 | base cover | 1 | PP | |
| 22 | SZ1066 | base cover | 1 | PP | |
| 21 | B-308 | handle | 1 | Alu alloy (ADC12) | |
| 20 | B-365 | crank B | 1 | Alu alloy (ADC12) | |
| 19 | B-364 | crank A | 1 | Alu alloy (ADC12) | |
| 18 | B-361 | top plastic of pole | 1 | Alu alloy (ADC12) | |
| 17 | B-319 | cross tube connection B | 1 | Alu alloy (ADC12) | |
| 16 | B-318 | cross tube connection A | 1 | Alu alloy (ADC12) | |
| 15 | SZ1324 | connection part of lamp panel | 2 | PP | |
| 14 | SZ909 | under lamp panel base | 1 | reinforced nylon 30% fiber glass | |
| 13 | SZ910 | under lamp panel cover | 1 | reinforced nylon 30% fiber glass | |
| 12 | SZ911 | up lamp panel base | 1 | reinforced nylon 30% fiber glass | |
| 11 | SZ912 | up lamp panel cover | 1 | reinforced nylon 30% fiber glass | |
| 10 | SZ975 | umbrella plastic cover | 1 | PP | |
| 09 | YJTQ-011 | short ribs C | 1 | Steel | 25*17*0.5*595 |
| 08 | YJTQ-011 | short ribs B | 3 | Steel | 25*17*0.5*640 |
| 07 | YJTQ-011 | short ribs A | 4 | Steel | 25*17*0.5*660 |
| 06 | YJTQ-011 | long ribs B | 3 | Steel | 25*17*0.5*1455 |
| 05 | YJTQ-011 | long ribs A | 4 | Steel | 25*17*0.5*2020 |
| 04 | YJTQ-009 | steeve tube | 1 | Steel | Φ39*0.8*380 |
| 03 | YJTQ-004A | pull tube | 1 | Steel | 38*23*1.0*820 |
| 02 | YJTQ-005A | slanting tube | 1 | Steel | 45*36*1.0*1510 |
| 01 | YJLQ-423 | pole | 1 | Alu | 75*60*1.8*2450 |
| Ref. no | Serial name | Name | Quantity | Texture | Specification |