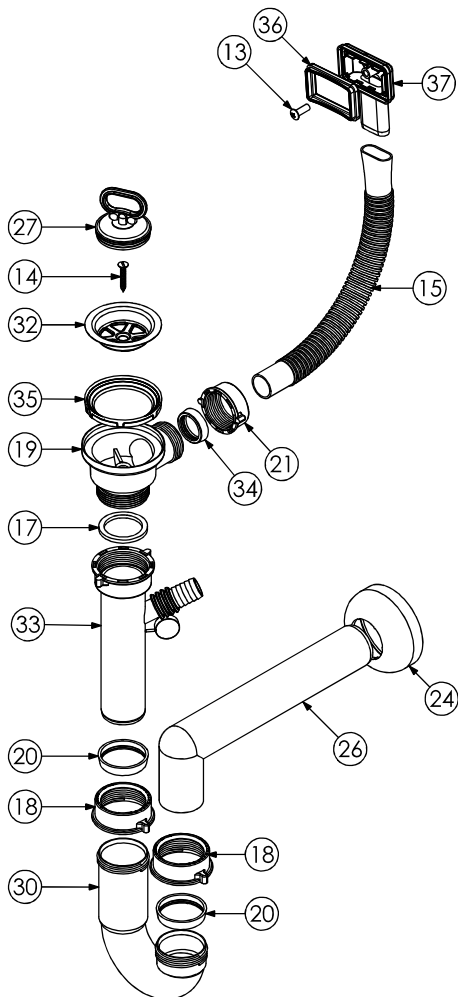


38	UK: SOFT GASKET D.67 X 54 SP.MM.1.5 FR: JOINT SOUPLE D.67 X 54 SP.MM.1.5	1			A6175
37	UK: RECTANGULAR OVERFLOW HEAD FR: TETE DE TROP-PLEIN RECTANGULAIRE	1	PP		S7338
36	UK: GASKET DOUBLE-FACE (FLAT AND CONCAVE) FOR RECTANGULAR OVERFLOW FR: JOINT DOUBLE-FACE (PLAT ET CONCAVE) POUR TROP- PLAIN RECTANGULAIRE	1	PVC		S7337
35	UK: ROUND GASKET FOR 1"1/2 WASTE FR: JOINT ROND POUR BONDE 1"1/2	1	PVC		S7303
34	UK: CONICAL GASKET FOR WHITE FLEXIBLE PIPE FR: JOINT CONIQUE POUR TUYAU FLEXIBLE	1	PVC		S7160
33	UK: CONNECTION PIPE WITH INTEGRATED DISHWASHER CONNECTION AND FIXING NUT FR: RACCORDEMENT AVEC PRISE POUR LAVE-VAISSELLE INTEGRE' ET ECROU DE FISSAGE	1	PP		S6550/G
32	UK: 1"1/2 WASTE FLANGE FR: 1"1/2 COUPELLE INOX	1	AISI 304		S6277/B
30	UK: U CURVED PIPE D. 40 FR: COUDE A U D. 40	1	PP		S6206
27	UK: HANDLE PLUG FR: BOUCHON POIGNEE	1			S6190
26	UK: OUTLET CURVED PIPE 90° INT L.225 FR: COUDE 90° INT. L. 225	1	PP		S6158
24	UK: WALL COVER ROSE FR: ROSACE	1	PP		S6144
21	UK: FIXING NUT D. 32 FR: ECROU DE FISSAGE D. 32	1	PP		S6131
20	UK: CONICAL GASKET D. 40 FR: JOINT CONIQUE D. 40	2	PE		S6127
19	UK: 2" WASTE WITH OVERFLOW OUTLET FR: 2" BONDE AVEC SORTIE POUR TROP-PLEIN	1	PP		S6063
18	UK: FIXING NUT 1"1/2 D. 46 FR: ECROU DE FISSAGE 1"1/2 D. 46	2	PP		S6028
17	UK: FLAT ROUND GASKET FOR SIPHON FR: JOINT PLAT POUR SIPHON	1	PP		S6026
15	UK: WHITE FLEXIBLE PIPE FR: TUYAU FLEXIBLE	1			A7483
14	UK: SCREW TSP M6 X 30 DIN 963 UNI 6109 A2 FR: VIS TSP M6 X 30 DIN 963 UNI 6109 A2	1			A6961
13	UK: SCREW M6 X 16 T 1/2 CROSS D. 10 X 2,5 A2 FR: VIS M6 X 16 T 1/2 CROIX D. 10 X 2,5 A2	1			A6929
Item	Title	Qty	Material	Part	Part_Number

BILL OF MATERIALS / LISTE DES COMPOSANTS



38	UK: SOFT GASKET D.67 X 54 SP.MM.1.5 FR: JOINT SOUPLE D.67 X 54 SP.MM.1.5	1			A6175
37	UK: RECTANGULAR OVERFLOW HEAD FR: TETE DE TROP-PLEIN RECTANGULAIRE	1	PP		S7338
36	UK: GASKET DOUBLE-FACE (FLAT AND CONCAVE) FOR RECTANGULAR OVERFLOW FR: JOINT DOUBLE-FACE (PLAT ET CONCAVE) POUR TROP- PLAIN RECTANGULAIRE	1	PVC		S7337
35	UK: ROUND GASKET FOR 1"1/2 WASTE FR: JOINT ROND POUR BONDE 1"1/2	1	PVC		S7303
34	UK: CONICAL GASKET FOR WHITE FLEXIBLE PIPE FR: JOINT CONIQUE POUR TUYAU FLEXIBLE	1	PVC		S7160
33	UK: CONNECTION PIPE WITH INTEGRATED DISHWASHER CONNECTION AND FIXING NUT FR: RACCORDEMENT AVEC PRISE POUR LAVE-VAISSELLE INTEGRE' ET ECROU DE FISSAGE	1	PP		S6550/G
32	UK: 1"1/2 WASTE FLANGE FR: 1"1/2 COUPELLE INOX	1	AISI 304		S6277/B
30	UK: U CURVED PIPE D. 40 FR: COUDE A U D. 40	1	PP		S6206
27	UK: HANDLE PLUG FR: BOUCHON POIGNEE	1			S6190
26	UK: OUTLET CURVED PIPE 90° INT L.225 FR: COUDE 90° INT. L. 225	1	PP		S6158
24	UK: WALL COVER ROSE FR: ROSACE	1	PP		S6144
21	UK: FIXING NUT D. 32 FR: ECROU DE FISSAGE D. 32	1	PP		S6131
20	UK: CONICAL GASKET D. 40 FR: JOINT CONIQUE D. 40	2	PE		S6127
19	UK: 2" WASTE WITH OVERFLOW OUTLET FR: 2" BONDE AVEC SORTIE POUR TROP-PLEIN	1	PP		S6063
18	UK: FIXING NUT 1"1/2 D. 46 FR: ECROU DE FISSAGE 1"1/2 D. 46	2	PP		S6028
17	UK: FLAT ROUND GASKET FOR SIPHON FR: JOINT PLAT POUR SIPHON	1	PP		S6026
15	UK: WHITE FLEXIBLE PIPE FR: TUYAU FLEXIBLE	1			A7483
14	UK: SCREW TSP M6 X 30 DIN 963 UNI 6109 A2 FR: VIS TSP M6 X 30 DIN 963 UNI 6109 A2	1			A6961
13	UK: SCREW M6 X 16 T 1/2 CROSS D. 10 X 2,5 A2 FR: VIS M6 X 16 T 1/2 CROIX D. 10 X 2,5 A2	1			A6929
Item	Title	Qty	Material	Part	Part_Number

BILL OF MATERIALS / LISTE DES COMPOSANTS