

BARBECUES : PLANCHA BF
EXB - EXL + - EXLD - OTHELLO 2 EX



PLANCHA BF EXB



PLANCHA BF EXL +

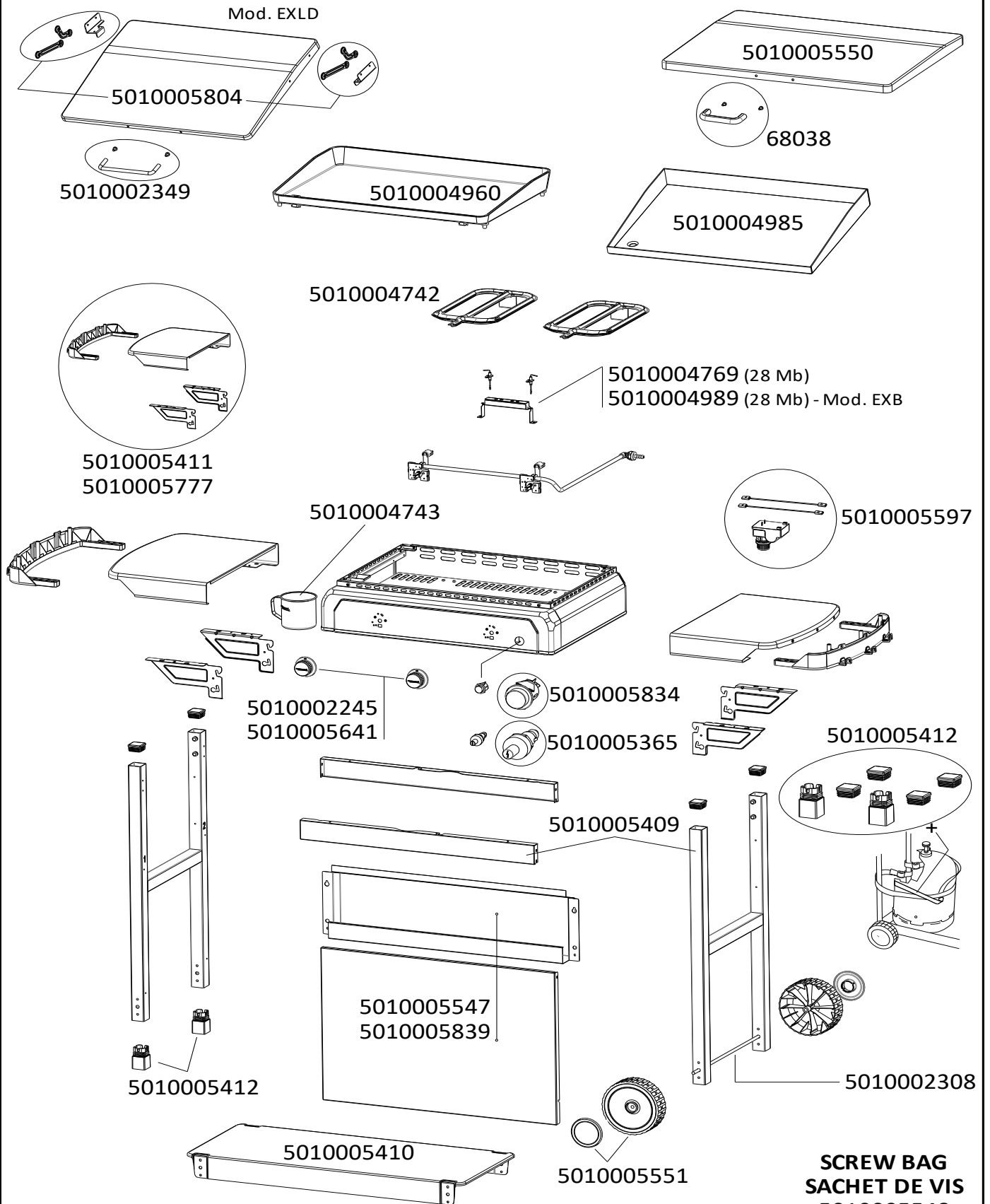


PLANCHA BF EXLD



OTHELLO 2 EX

BARBECUES : PLANCHA BF
EXB - EXL + - EXLD - OTHELLO 2 EX



BARBECUES : PLANCHA BF

EXB - EXL + - EXLD - OTHELLO 2 EX



SPARE PARTS REF.	POINTS	EN DESCRIPTIONS	FR DESCRIPTIONS	PLANCHA BF EXB	PLANCHA BF EXL +	PLANCHA BF EXLD	PLANCHA OTHELLO 2 EX
68038		LID HANDLE + SCREWS	POIGNEE COUVERCLE + VIS		X	X	
5010002245		CHROMED KNOB (x2)	VOLANT CHROME (x2)	X	X	X	
5010002308		WHEEL AXLE	AXE DE ROUE	X	X	X	X
5010002349		HANDLE + SCREWS	POIGNEE + VIS			X	
5010004742		STAINLESS STEEL BURNER 28MB AND 50MB	BRULEUR INOX 28MB ET 50MB	X	X	X	X
5010004743		GREASE CAN	POT A GRAISSE	X	X	X	X
5010004769		ELECTRODES + HOUSING 28 Mb	ELECTRODES + SUPPORT 28 Mb		X	X	X
5010004960		ENAMELLED CAST IRON GRIDDLE	PLAQUE FONTE EMAILLEE		X	X	X
5010004985		ENAMELLED STEEL GRIDDLE	PLAQUE ACIER EMAILLE	X			
5010004989		ELECTRODES + HOUSING 28 Mb	ELECTRODES + SUPPORT 28 Mb	X			
5010005365		PIEZO DOUBLE	PIEZO DOUBLE	X			
5010005409		LEFT OR RIGHT TROLLEY TUBE + FIREBOX SUPPORT (X1)	TUBES GAUCHE OU DROITE CHARIOT + SUPPORT CUVE (X1)	X	X	X	X
5010005410		CANISTER SUPPORT	SUPPORT DE RESERVOIR	X	X	X	X
5010005411		RIGHT OR LEFT SHELF (LIGHT GREY) + BRACKETS	ETAGERE GAUCHE OU DROITE (GRIS CLAIR) + SUPPORTS ETAGERE	X	X		X
5010005412		TROLLEY PLASTIC PARTS (4 CAPS + 2 BOTTOM LEGS) + CYLINDER STRAP	PIECES PLASTIQUES POUR CHARIOT (4 BOUCHONS + 2 PIEDS) + SANGLE	X	X	X	X
5010005547		FRONT SHEETS (TOP+BOTTOM) - LIGHT GREY	JUPES TOLE (HAUT+BAS) - GRIS CLAIR	X	X		X
5010005548		SCREW BAG	SACHET DE VIS	X	X	X	X
5010005550		LID WITHOUT HANDLE	COUVERCLE SANS POIGNEE		X		
5010005551		WHEEL DIAMETER 160 (X 1) WITH CAP	ROUE DIAMETRE 160 (X 1) AVEC ENJOLIVEUR	X	X	X	X
5010005597		ELECTRONIC IGNITION SET (2/4 OUTLETS) WITH CONNECTION WIRES	KIT ALLUMAGE ELECTRONIQUE (2/4 SORTIES) AVEC CABLES DE CONNECTIONS	X	X	X	X
5010005641		LIGHT GREY KNOB (x3)	VOLANT GRIS CLAIR (x3)				X
5010005777		RIGHT OR LEFT SHELF (DARK GREY) + BRACKETS	ETAGERE GAUCHE OU DROITE (GRIS FONCE) + SUPPORTS ETAGERE			X	
5010005804		BLACK LID WITH HANDLE, CONNECTING RODS AND BRACKETS	COUVERCLE NOIR AVEC POIGNEE, BIELLETES ET SUPPORTS			X	
5010005834		PUSH BUTTON ELECTRONIC IGNITOR	BOUTTON POUSSOIR TRAIN D'ETINCELLES		X	X	X
5010005839		FRONT SHEETS (LIGHT GREY TOP + BLACK BOTTOM)	JUPES TOLE (HAUT GRIS CLAIR + BAS NOIR)			X	