

ref. NO	Serial number	Name	Quantity	Texture	Specification
1	YJLT-026G	Back pipe jacking	1	steel	40*20*0.6* 1165
2	YJLT-026G	Back tube	2	steel	40*20*0.6* 525
3	YJLT-208A	Back median tube	1	steel	18*18*0.8* 1115
4	YJTF-006	Back support tube	2	steel	18*12*0.6* 475
5	YJLT-026G	Back bottom tube	1	steel	40*20*0.6* 1165
6	YJLT-208A	Seat front tube	1	steel	18*18*0.8* 1165
7	YJLT-034E	Lined iron tube	1	Zinc plated galvanize	φ16*0.8* 1115
8	YJLT-208A	Seat rear tube	1	steel	18*18*0.8* 1165
9	YJLT-208A	Seat side tube	2	steel	18*18*0.8* 640
10	YJLT-208A	Seat median tube	1	steel	18*18*0.8* 620
11	YJLT-026G	Side and side tube	1	steel	40*20*0.6* 1165
12	YJLT-026G	Seat side foot tube	2	steel	40*20*0.6* 180
13	YJTF-006	Seat vertical support tube	2	steel	18*12*0.6* 155

GENERAL TOLERANCES:  
 LINEAR:  
 ANGULAR:

Rev	NAME	DATE
01		
02		
03		
04		
05		
06		

ADED 135, rue Sadi Carnot  
 CS 00001 - 59790 RONCHIN  
 FRANCE

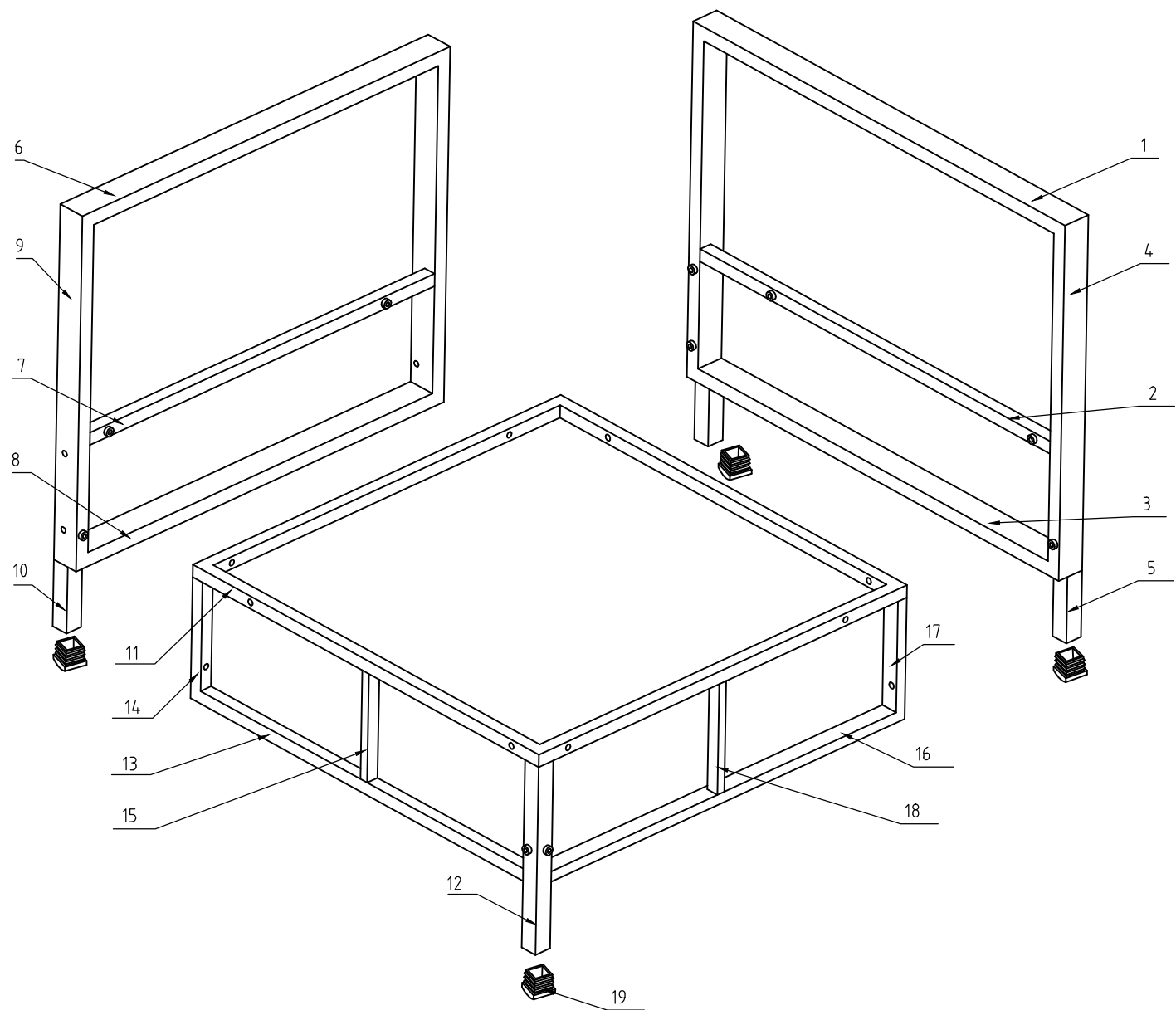
MATERIAU/FINISHING:

TITRE:  
**SOFA 2 PERSONS ,WITHOUT ARM**

No. DE PLAN  
**2D Plan\_3276007087406**

REVISION  
**A3**

ECHELLE: 1:1 (Scale can be adapted) Dimensions in mm FEUILLE 1 SUR 1



ref. NO	Serial number	Name	Quantity	Texture	Specification
1	YJLT-026G	Handrail jacking tube	1	steel	40*20*0.6* 685
2	YJLT-208A	Handrai middle tube	1	steel	18*18*0.8* 635
3	YJLT-026G	Handrail bottom tube	1	steel	40*20*0.6* 685
4	YJLT-026G	Handrail foot tube	2	steel	40*20*0.6* 525
5	YJLT-022A	Handrail short foot tube	2	steel	25*25*0.8* 95
6	YJLT-026G	Back pipe jacking	1	steel	40*20*0.6* 640
7	YJLT-208A	Back median tube	1	steel	18*18*0.8* 590
8	YJLT-026G	Back bottom tube	1	steel	40*20*0.6* 640
9	YJLT-026G	Back foot tube	2	steel	40*20*0.6* 525
10	YJLT-022A	Short back foot tube	1	steel	25*25*0.8* 95
11	YJLT-208A	Seat tube	4	steel	18*18*0.8* 640
12	YJLT-022A	Seat foot tube	1	steel	25*25*0.8* 270
13	YJLT-208A	Side and side tube	1	steel	18*18*0.8* 610
14	YJLT-208A	Seat support tube	1	steel	18*18*0.8* 180
15	YJTF-006	Seat vertical support tube	1	steel	18*12*0.6* 155
16	YJLT-055A	Seat side surround tube	1	steel	25*15*0.8* 610
17	YJLT-055A	Seat side support tube	1	steel	25*15*0.8* 180
18	YJTF-006	Vertical support tube	1	steel	18*12*0.6* 160
19	CP-543	Foot pad	4	Copolymerization	

GENERAL TOLERANCES:  
 LINEAR:  
 ANGULAR:

Rev	NAME	DATE
01		
02		
03		
04		
05		
06		

ADED 135, rue Sadi Carnot  
 CS 00001 - 59790 RONCHIN  
 FRANCE

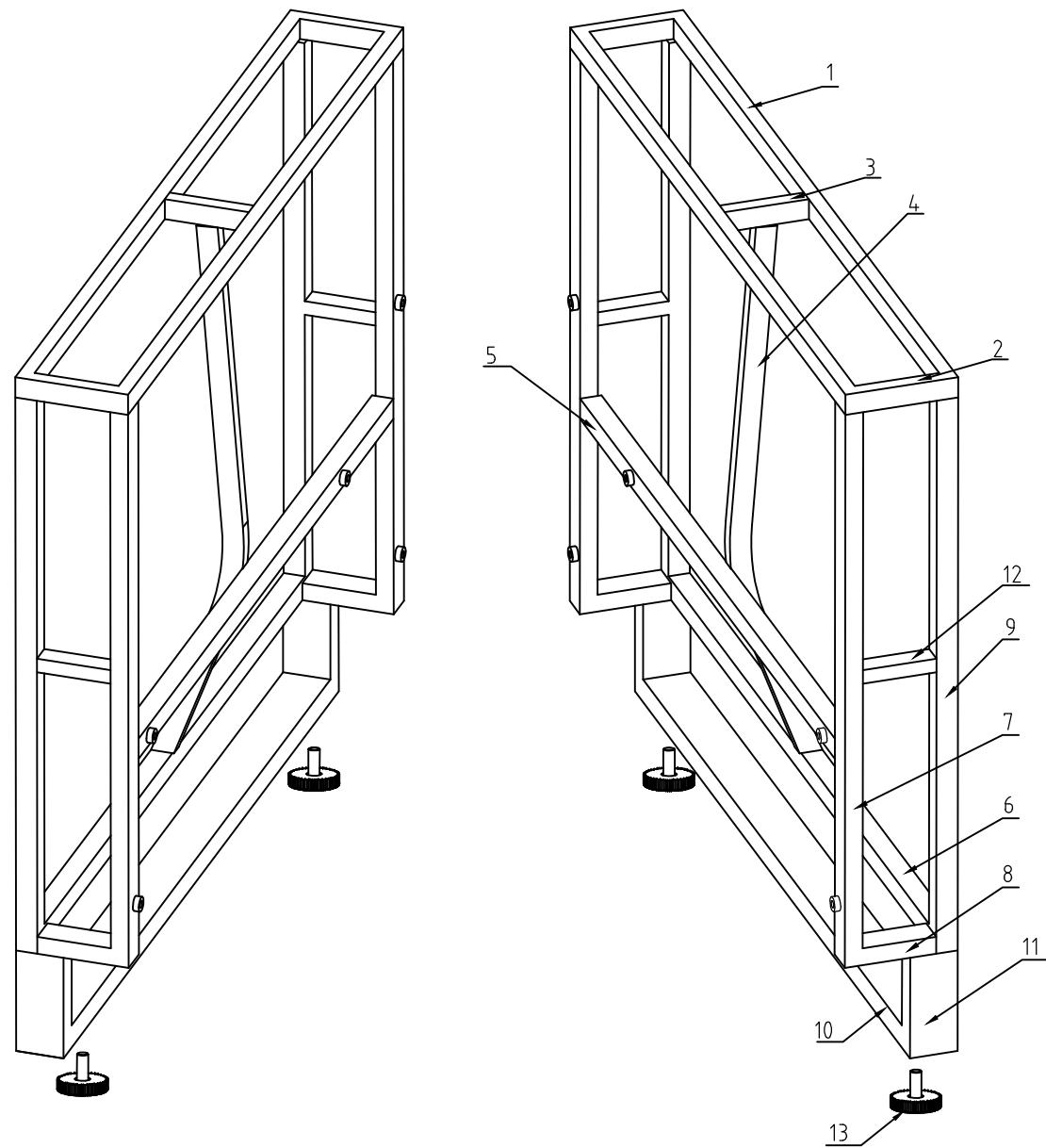
MATERIAU/FINISHING:

TITRE:  
**CORNER SOFA**

No. DE PLAN  
**2D Plan\_3276007087406**

REVISION  
**A3**

ECHELLE: 1:1 (Scale can be adapted) Dimensions in mm FEUILLE 1 SUR 1



ref. NO	Serial number	Name	Quantity	Texture	Specification
1	YJTF-006	Handrail jacking tube	4	steel	18*12*0.6* 685
2	YJTF-006	Handrail connection tube	4	steel	18*12*0.6* 105
3	YJTF-006	Handrail short tube	2	steel	18*12*0.6* 70
4	YJTF-006	Handrail bend	2	steel	18*12*0.6* 495
5	YJLT-208A	Handrai middle tube	2	steel	18*18*0.8* 625
6	YJLT-208A	Handrail bottom tube	2	steel	18*18*0.8* 685
7	YJLT-055A	Handrai front tube	4	steel	25*15*0.8* 500
8	YJLT-055A	Handrail bottom connecting tube	4	steel	25*15*0.8* 80
9	YJLT-208A	Handrai rear tube	4	steel	18*18*0.8* 500
10	YJLT-026E	Handrai horizontal tube	2	steel	40*20*0.8* 685
11	YJLT-026E	Handrail stand tube	4	steel	40*20*0.8* 95
12	YJTF-006	Handrail connection tube A	4	steel	18*12*0.6* 60
13	CP-751	Adjustment knob	4	Copolymerization	

Rev	NAME	DATE
01		
02		
03		
04		
05		
06		

GENERAL TOLERANCES:  
 LINEAR:  
 ANGULAR:

TITRE:  
**SET OF 2 ARMRESTS**

ADED 135, rue Sadi Carnot  
 CS 00001 - 59790 RONCHIN  
 FRANCE

MATERIAU/FINISHING:

No. DE PLAN  
**2D Plan\_3276007087529**

REVISION  
**A3**

ECHELLE: 1:1 (Scale can be adapted) Dimensions in mm FEUILLE 1 SUR 1