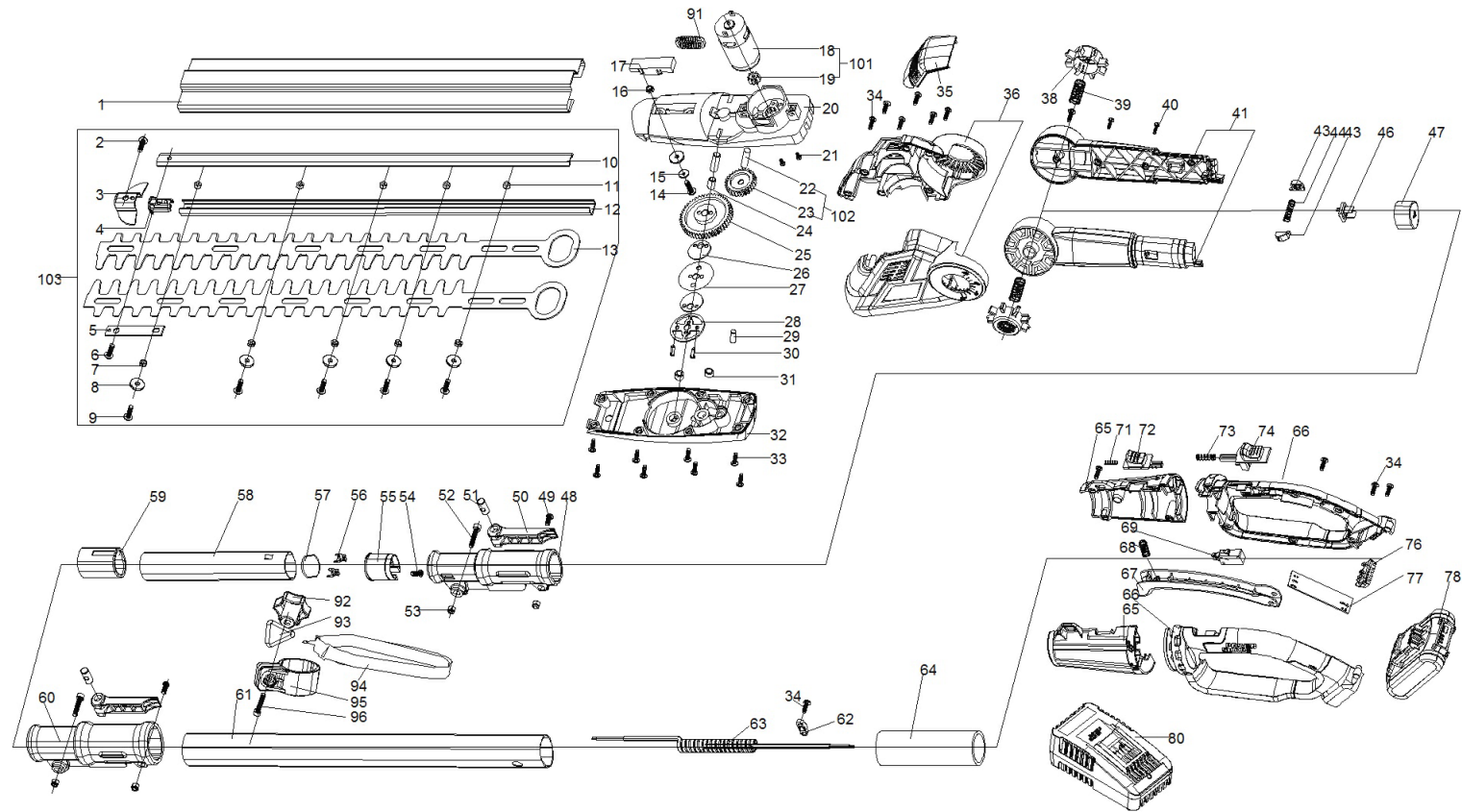




WG252E




WG252E

|  | Part No | Description | Qty |
|---|----------|----------------------------|-----|
| 1 | 60054020 | Knife cover | 1 |
| 2 | 60054021 | Screw ST3.9*10 | 1 |
| 3 | 60054022 | Blade head | 1 |
| 4 | 60054023 | Blade plug | 1 |
| 5 | 60054024 | Blade connection piece | 1 |
| 6 | 60054025 | Screw ST3.9*10 | 1 |
| 7 | 60054026 | Lining ring (5.2X7.7X3.4) | 5 |
| 8 | 60054027 | Gasket (5X17X2) | 5 |
| 9 | 60054028 | Screw M5*12 | 5 |
| 10 | 60054029 | Aluminum cover | 1 |
| 11 | 60054030 | Self-locking nut M5 | 9 |
| 12 | 60054031 | Channel steel | 1 |
| 13 | 60054032 | Blade | 2 |
| 14 | 60054033 | Screw M5*25 | 2 |
| 15 | 60054034 | Spring pad \varnothing 5 | 2 |
| 16 | 60054035 | Nut M5 | 2 |
| 17 | 60054036 | Nut cover | 1 |
| 18 | 60054037 | Motor | 1 |
| 19 | 60054038 | Motor gear | 1 |
| 20 | 60054039 | Gear box upper case | 1 |


WG252E

|  | Part No | Description | Qty |
|---|----------|---------------------------|-----|
| 21 | 60054040 | Screw M3X6 | 2 |
| 22 | 60054041 | Gear positioning pin | 2 |
| 23 | 60054042 | Double gear | 1 |
| 24 | 60054043 | Bearing (ø6Xø9X13.4) | 2 |
| 25 | 60054044 | Big gear | 1 |
| 26 | 60054045 | Cam piece | 2 |
| 27 | 60054046 | Blade spacer | 1 |
| 28 | 60054047 | Blade plate | 1 |
| 29 | 60054048 | Motor gear limit pin 6*17 | 1 |
| 30 | 60054049 | Cam fixing pin | 2 |
| 31 | 60054050 | Gear positioning ring | 2 |
| 32 | 60054051 | Gear box lower case | 1 |
| 33 | 60054052 | Screw ST3.5*12 | 8 |
| 34 | 60054053 | Screw ST3.9*14 | 16 |
| 35 | 60054054 | Decorative cover | 1 |
| 36 | 60054055 | Left/Right Case | 1 |
| 38 | 60054056 | Button | 2 |
| 39 | 60054057 | Spring 0.9*10.9*30 | 2 |
| 40 | 60054058 | Screw ST2.9X12 | 4 |
| 41 | 60054059 | Left/Right Rotary Handle | 1 |


WG252E

|  | Part No | Description | Qty |
|---|----------|------------------------|-----|
| 43 | 60054060 | Left/Right Button | 1 |
| 44 | 60054061 | Spring 0.7*6.8*32 | 1 |
| 46 | 60054062 | Connecting insert seat | 1 |
| 47 | 60054063 | Protection cap | 1 |
| 48 | 60054064 | Connection sleeve | 1 |
| 49 | 60054065 | Screws M5*32 | 2 |
| 50 | 60054066 | Locking wrench | 2 |
| 51 | 60054067 | Locking pin | 2 |
| 52 | 60054068 | Screw M5*12 | 2 |
| 53 | 60054069 | Locking nut M5 | 4 |
| 54 | 60054070 | Screw ST3X12 | 1 |
| 55 | 60054071 | Connecting tab seat | 1 |
| 56 | 60054072 | Circuit board | 1 |
| 57 | 60054073 | Connecting tab | 2 |
| 58 | 60054074 | Connecting rod | 1 |
| 59 | 60054075 | Plug | 1 |
| 60 | 60054076 | Connection sleeve | 1 |
| 61 | 60054077 | Large connecting rod | 1 |
| 62 | 60054078 | Cable press plate | 1 |
| 63 | 60054079 | Spring line | 1 |

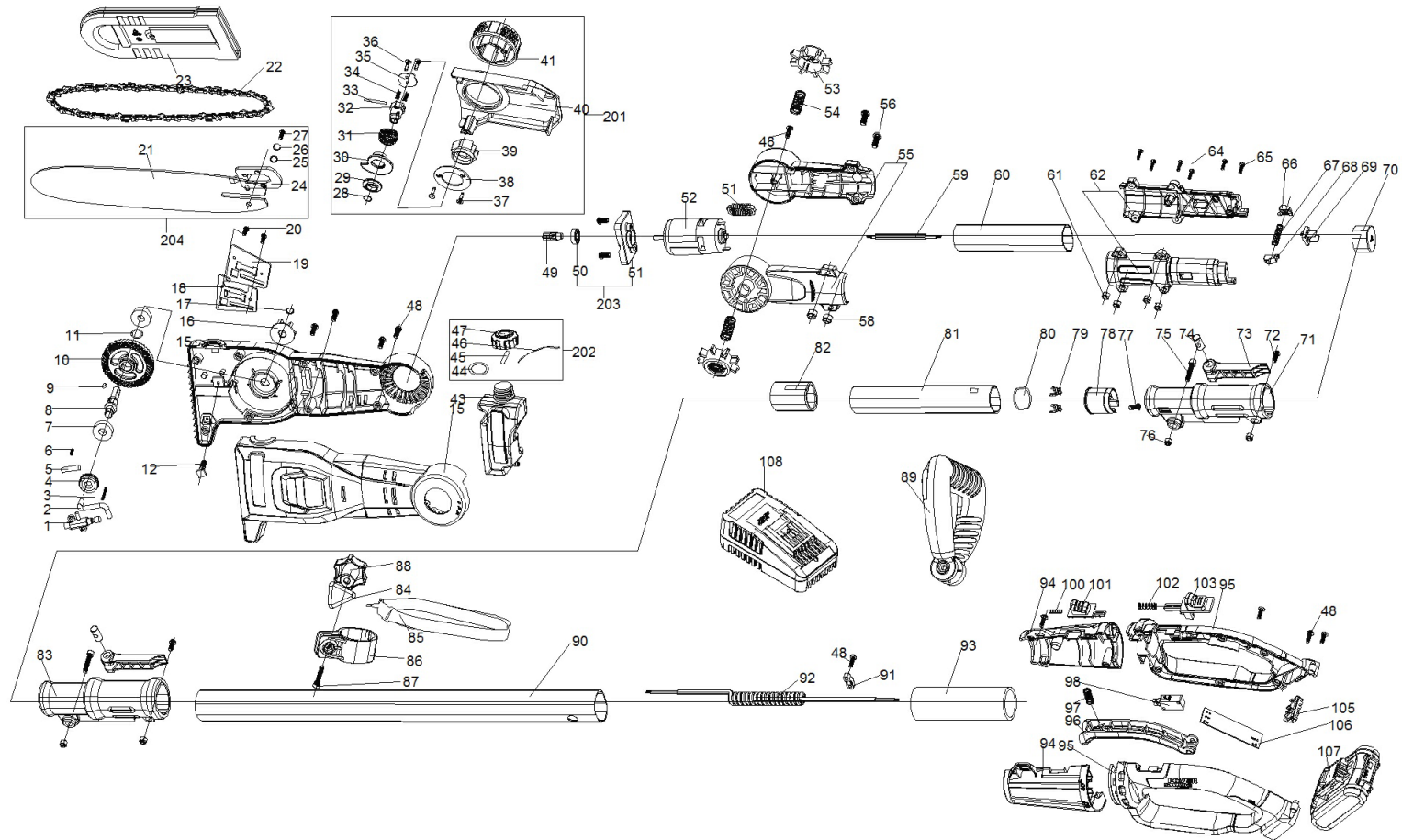
WG252E

|  | Part No | Description | Qty |
|---|----------|---|-----|
| 64 | 60054080 | Sponge cover | 1 |
| 65 | 60054081 | Left/Right handle connector | 1 |
| 66 | 60054252 | Left/Right handle | 1 |
| 67 | 60054083 | Switch handle | 1 |
| 68 | 60054084 | Spring 0.8*7.8*22 | 1 |
| 69 | 60054085 | Switch | 1 |
| 71 | 60054086 | Spring 0.5X4.2X15 | 1 |
| 72 | 60054087 | Rotary switch | 1 |
| 73 | 60054088 | Spring 0.6*6.2*22 | 1 |
| 74 | 60054089 | Switch lock button | 1 |
| 76 | 60054253 | European insert seat | 1 |
| 77 | 60054091 | Circuit board 2 | 1 |
| 78 | 50032288 | "Battery Pack(Li-ion,2.0Ah,20V) WA3551" | 1 |
| 80 | 50036688 | "Charger(100-240V,2.0Ah,20V)WA3880" | 1 |
| 91 | 60054254 | Inductance | 1 |
| 92 | 60054255 | 4 # knob | 2 |
| 93 | 60054256 | Hang buckle | 1 |
| 94 | 60054257 | Shoulder strap | 1 |
| 95 | 60054258 | Pull sleeve | 1 |
| 96 | 60054259 | Screws M6*25 | 1 |

WG252E

|  | Part No | Description | Qty |
|---|----------|-------------|-----|
| 101 | 60054092 | Motor set | 1 |
| 102 | 60054093 | Gear set | 1 |
| 103 | 60054094 | Blade set | 1 |

WG349E



WG349E

|  | Part No | Description | Qty |
|---|----------|---------------------|-----|
| 1 | 60054310 | Small Oil Pump | 1 |
| 2 | 60054311 | Long Tubing | 1 |
| 3 | 60054312 | Spring | 1 |
| 4 | 60054313 | Worm Gear | 1 |
| 5 | 60054314 | Short Tubing | 1 |
| 6 | 60054315 | Spring | 1 |
| 7 | 60054316 | Bearing 609 | 2 |
| 8 | 60054317 | Axis | 1 |
| 9 | 60054318 | Half-Round Key | 1 |
| 10 | 60054319 | Disk Teeth | 1 |
| 11 | 60054320 | ∅9 Circlip | 1 |
| 12 | 60054321 | Screw | 1 |
| 15 | 60054324 | Left/Right Housing | 1 |
| 16 | 60054325 | Sprockets | 1 |
| 17 | 60054326 | ∅6 Retaining Spring | 1 |
| 18 | 60054327 | Guide Plate | 2 |
| 19 | 60054328 | Guide Pad | 1 |
| 20 | 60054329 | Screw M4X8 | 1 |
| 21 | 60054330 | Chain Plate | 1 |
| 22 | 60054331 | Chain | 1 |

WG349E

|  | Part No | Description | Qty |
|---|----------|----------------------|-----|
| 23 | 60054332 | Chain Saw Scabbard | 1 |
| 24 | 60054333 | Adjustment Plate | 1 |
| 25 | 60054334 | Gaskets | 1 |
| 26 | 60054335 | M4 Spring Washer | 3 |
| 27 | 60054336 | M4 Screws | 1 |
| 28 | 60054337 | Collar | 1 |
| 29 | 60054338 | Pressing Plate | 1 |
| 30 | 60054339 | Tension Plate | 1 |
| 31 | 60054340 | Left-Handed Spring | 1 |
| 32 | 60054341 | Hexagonal Axis | 1 |
| 33 | 60054342 | Pin | 1 |
| 34 | 60054343 | Return Spring | 2 |
| 35 | 60054344 | Spring Washer | 1 |
| 36 | 60054345 | Screw M3X6 | 2 |
| 37 | 60054346 | Screw ST3.5*14 | 2 |
| 38 | 60054347 | Gaskets | 1 |
| 39 | 60054348 | Inner Hexagonal Head | 1 |
| 40 | 60054349 | Guide Cover | 1 |
| 41 | 60054350 | Lock Knob | 1 |
| 43 | 60054351 | Oil Can | 1 |

WG349E

|  | Part No | Description | Qty |
|---|----------|------------------------------|-----|
| 44 | 60054352 | Seal Ring | 1 |
| 45 | 60054353 | Pull Ring Clamp | 1 |
| 46 | 60054354 | Nylon Thread | 1 |
| 47 | 60054355 | Oil Can Lid | 1 |
| 48 | 60054356 | Screw ST3.9*16 | 18 |
| 49 | 60054357 | Gear | 1 |
| 50 | 60054358 | Bearings 619/8 | 1 |
| 51 | 60054359 | Fixed Plate | 1 |
| 52 | 60054360 | Motor | 1 |
| 53 | 60054361 | Button | 2 |
| 54 | 60054362 | Spring 0.9*10.9*30 | 2 |
| 55 | 60054363 | Left/Right Rotary Handle | 1 |
| 56 | 60054364 | Screw M4X16 | 2 |
| 58 | 60054365 | Self-Locking Nut M4 | 2 |
| 59 | 60054366 | Connecting Wire | 1 |
| 60 | 60054367 | Connecting Rod (Short) | 1 |
| 61 | 60054368 | Self-Locking Nut M3 | 4 |
| 62 | 60054369 | Left/Right Connection Handle | 1 |
| 64 | 60054370 | Screws M3X14 | 4 |
| 65 | 60054371 | Screw ST2.9*12 | 2 |


WG349E

|  | Part No | Description | Qty |
|---|----------|------------------------|-----|
| 66 | 60054372 | Button Right | 1 |
| 67 | 60054373 | Spring 0.7*6.8*32 | 1 |
| 68 | 60054374 | Button Left | 1 |
| 69 | 60054375 | Connecting Insert Seat | 1 |
| 70 | 60054376 | Protection Cap | 1 |
| 71 | 60054377 | Connection Sleeve | 1 |
| 72 | 60054378 | Screw M5*32 | 2 |
| 73 | 60054379 | Locking Wrench | 2 |
| 74 | 60054380 | Locking Pin | 2 |
| 75 | 60054381 | Screw M5*12 | 2 |
| 76 | 60054382 | Locking Nut M5 | 4 |
| 77 | 60054383 | Screw St3X12 | 1 |
| 78 | 60054384 | Connecting Tab Seat | 1 |
| 79 | 60054385 | Connecting Tab | 2 |
| 80 | 60054386 | Circuit Board | 1 |
| 81 | 60054387 | Connecting Rod | 1 |
| 82 | 60054388 | Plug | 1 |
| 83 | 60054389 | Connection Sleeve | 1 |
| 84 | 60054622 | Hang buckle | 1 |
| 85 | 60054623 | Strap | 1 |

WG349E

|  | Part No | Description | Qty |
|---|----------|---|-----|
| 86 | 60054624 | Pull sleeve | 1 |
| 87 | 60054625 | Screws M6*25 | 2 |
| 88 | 60054626 | 4 # knob | 1 |
| 90 | 60054395 | Large Connecting Rod | 1 |
| 91 | 60054396 | Cable Press Plate | 1 |
| 92 | 60054397 | Spring Line | 1 |
| 93 | 60054398 | Sponge Cover | 1 |
| 94 | 60054399 | Left/Right Handle Connector | 1 |
| 95 | 60054627 | Left/Right Handle | 1 |
| 96 | 60054401 | Switch Handle | 1 |
| 97 | 60054402 | Spring 0.8*7.8*22 | 1 |
| 98 | 60054403 | Switch | 1 |
| 100 | 60054404 | Spring 0.5X4.2X15 | 1 |
| 101 | 60054405 | Rotary Switch | 1 |
| 102 | 60054406 | Spring 0.6*6.2*22 | 1 |
| 103 | 60054407 | Switch Lock Button | 1 |
| 105 | 60054628 | European insert seat | 1 |
| 106 | 60054409 | Circuit Board 2 | 1 |
| 107 | 50032288 | "Battery Pack(Li-ion,2.0Ah,20V) WA3551" | 1 |
| 108 | 50036688 | "Charger(100-240V,2.0Ah,20V)WA3880" | 1 |

WG349E

|  | Part No | Description | Qty |
|---|----------|----------------------|-----|
| 201 | 60054410 | Guide Cover Assembly | 1 |
| 202 | 60054411 | Oil Can Lid Assembly | 1 |
| 203 | 60054412 | Fixed Plate Assembly | 1 |
| 204 | 60054413 | Guide Bar Assembly | 1 |
| 205 | 60054629 | Inductance | 1 |
| 206 | 60063965 | Motor assembly | 1 |