

**Revision B:**

• MSZ-BT20/25/35/50VGK - **E1**, **ET1**  
have been added.

OBB849 REVISED EDITION-A is void.

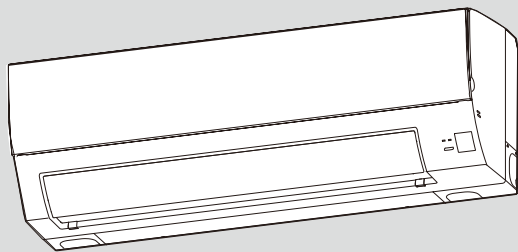
## INDOOR UNIT

**No. OBB849**  
**REVISED EDITION-B**

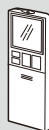
# PARTS CATALOG

### Models

<b>MSZ-BT20VG</b> - <b>E1</b> , <b>ER1</b> , <b>ET1</b>	<b>MSZ-BT20VGK</b> - <b>E1</b> , <b>ET1</b>
<b>MSZ-BT25VG</b> - <b>E1</b> , <b>ER1</b> , <b>ET1</b>	<b>MSZ-BT25VGK</b> - <b>E1</b> , <b>ET1</b>
<b>MSZ-BT35VG</b> - <b>E1</b> , <b>ER1</b> , <b>ET1</b>	<b>MSZ-BT35VGK</b> - <b>E1</b> , <b>ET1</b>
<b>MSZ-BT50VG</b> - <b>E1</b> , <b>ER1</b> , <b>ET1</b>	<b>MSZ-BT50VGK</b> - <b>E1</b> , <b>ET1</b>



**MSZ-BT25VG/VGK**



### CONTENTS

1. SERVICE PARTS LIST .....	2
2. OPTIONAL PARTS .....	10

**SERVICE MANUAL (OBH849)**

**Revision A:**

• MSZ-BT20/25/35/50VG - [ER1] have been added.

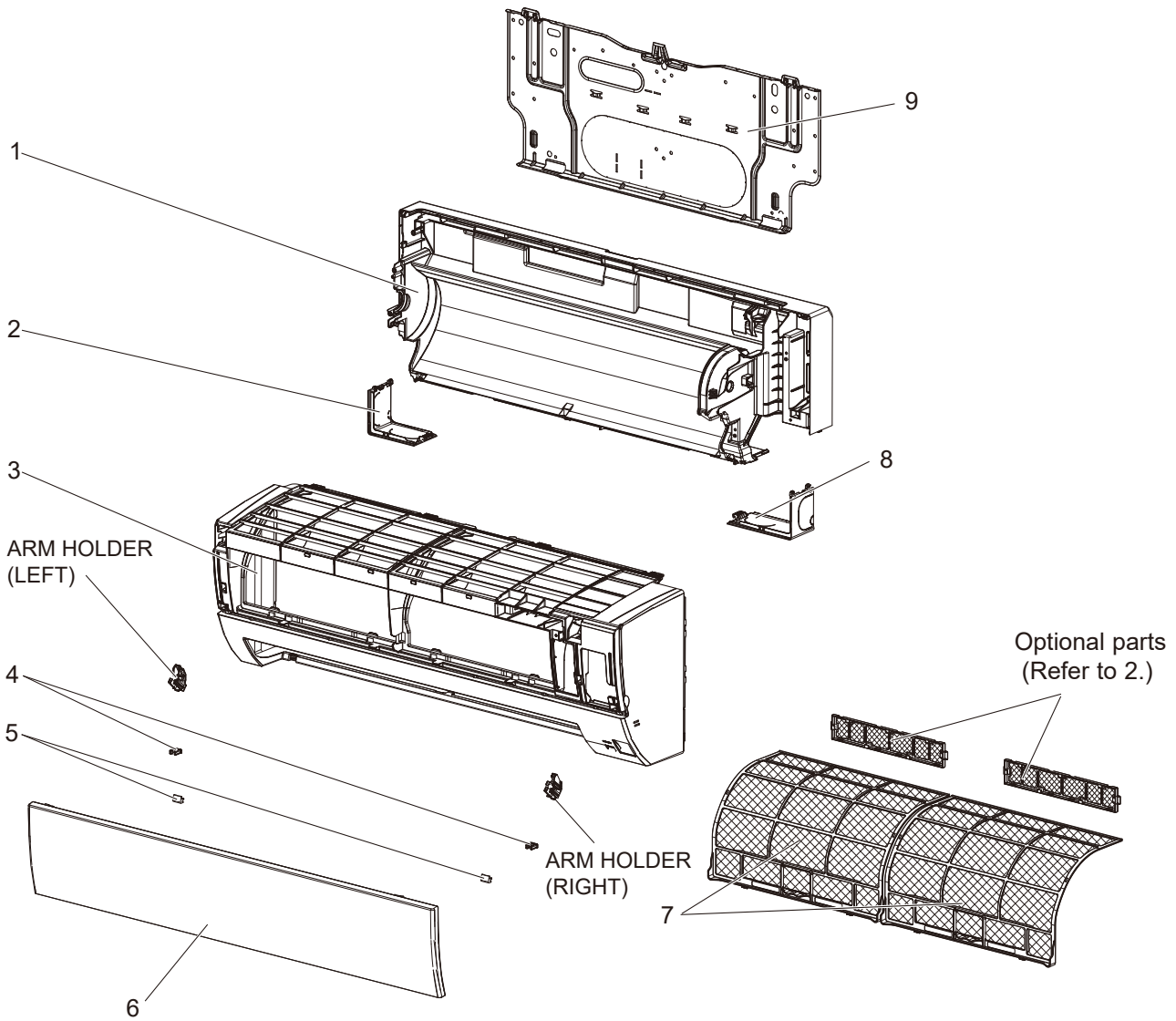
**Revision B:**

• MSZ-BT20/25/35/50VGK - [E1], [ET1] have been added.

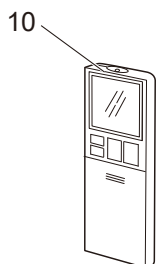
**1 SERVICE PARTS LIST**

**MSZ-BT20VG MSZ-BT25VG MSZ-BT35VG MSZ-BT50VG**

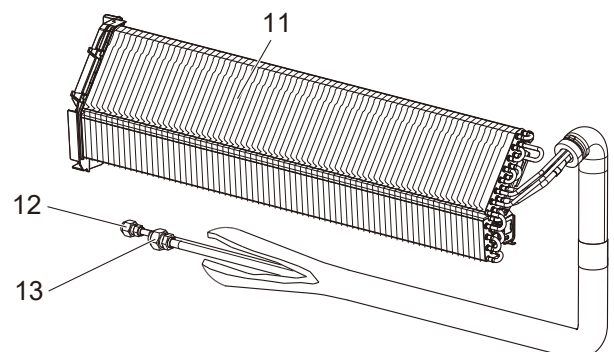
**1-1. INDOOR UNIT STRUCTURAL PARTS**



**1-2. ACCESSORY AND REMOTE CONTROLLER**



**1-3. INDOOR UNIT HEAT EXCHANGER**





### 1-1. INDOOR UNIT STRUCTURAL PARTS

No.	Part No.	Part name	Symbol in Wiring Diagram	MODEL Q'TY/UNIT											Remarks	
				MSZ-BT20VG-E1	MSZ-BT20VG-ER1	MSZ-BT20VG-ET1	MSZ-BT25VG-E1	MSZ-BT25VG-ER1	MSZ-BT25VG-ET1	MSZ-BT35VG-E1	MSZ-BT35VG-ER1	MSZ-BT35VG-ET1	MSZ-BT50VG-E1	MSZ-BT50VG-ER1		MSZ-BT50VG-ET1
1	E22 26K 234	BOX ASSEMBLY		1	1	1	1	1	1	1	1	1	1	1	1	
2	E22 94B 976	CORNER BOX L		1	1	1	1	1	1	1	1	1	1	1	1	
3	E22 26K 000	PANEL ASSEMBLY		1	1	1	1	1	1	1	1	1	1	1	1	Includes 4, 5, and 6
4	E22 F95 142	CATCH		2	2	2	2	2	2	2	2	2	2	2	2	2pcs/set
5	E22 94B 067	SCREW CAP		2	2	2	2	2	2	2	2	2	2	2	2	2pcs/set
6	E22 26K 010	FRONT PANEL		1	1	1	1	1	1	1	1	1	1	1	1	
7	E22 26K 100	AIR FILTER		2	2	2	2	2	2	2	2	2	2	2	2	1 PC/Set
8	E22 94B 975	CORNER BOX R		1	1	1	1	1	1	1	1	1	1	1	1	
9	E22 94B 970	INSTALLATION PLATE		1	1	1	1	1	1	1	1	1	1	1	1	

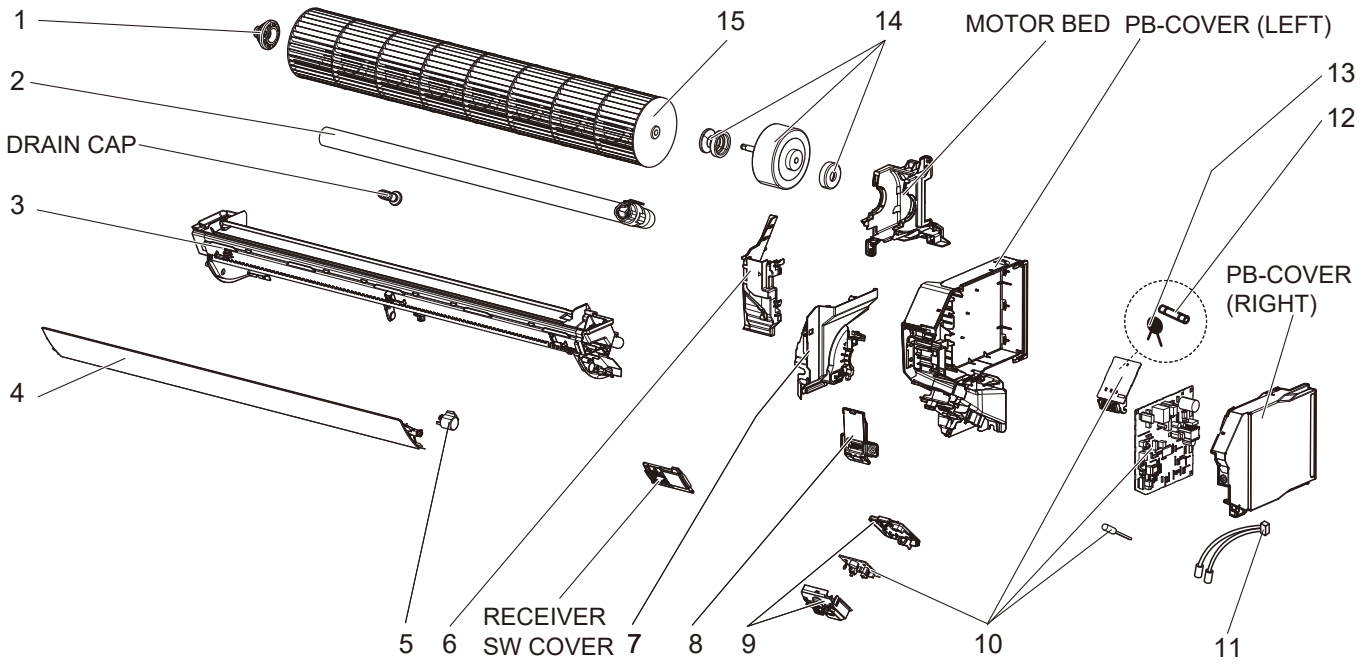
### 1-2. ACCESSORY AND REMOTE CONTROLLER

No.	Part No.	Part name	Symbol in Wiring Diagram	MODEL Q'TY/UNIT											Remarks	
				MSZ-BT20VG-E1	MSZ-BT20VG-ER1	MSZ-BT20VG-ET1	MSZ-BT25VG-E1	MSZ-BT25VG-ER1	MSZ-BT25VG-ET1	MSZ-BT35VG-E1	MSZ-BT35VG-ER1	MSZ-BT35VG-ET1	MSZ-BT50VG-E1	MSZ-BT50VG-ER1		MSZ-BT50VG-ET1
10	E22 26K 426	REMOTE CONTROLLER		1		1	1		1	1		1	1		1	ZH19A
10	E22 34K 426	REMOTE CONTROLLER			1			1			1			1		ZH19A

### 1-3. INDOOR UNIT HEAT EXCHANGER

No.	Part No.	Part name	Symbol in Wiring Diagram	MODEL Q'TY/UNIT											Remarks	
				MSZ-BT20VG-E1	MSZ-BT20VG-ER1	MSZ-BT20VG-ET1	MSZ-BT25VG-E1	MSZ-BT25VG-ER1	MSZ-BT25VG-ET1	MSZ-BT35VG-E1	MSZ-BT35VG-ER1	MSZ-BT35VG-ET1	MSZ-BT50VG-E1	MSZ-BT50VG-ER1		MSZ-BT50VG-ET1
11	E22 26K 620	INDOOR HEAT EXCHANGER		1	1	1	1	1	1	1	1	1				
11	E22 29K 620	INDOOR HEAT EXCHANGER											1	1	1	
12	E22 151 667	UNION(LIQ)		1	1	1	1	1	1	1	1	1	1	1	1	ø6.35
13	E22 151 666	UNION(GAS)		1	1	1	1	1	1	1	1	1				ø9.52
13	E22 155 666	UNION(GAS)											1	1	1	ø12.7

**MSZ-BT20VG MSZ-BT25VG MSZ-BT35VG MSZ-BT50VG**  
**1-4. INDOOR UNIT ELECTRICAL PARTS AND FUNCTIONAL PARTS**

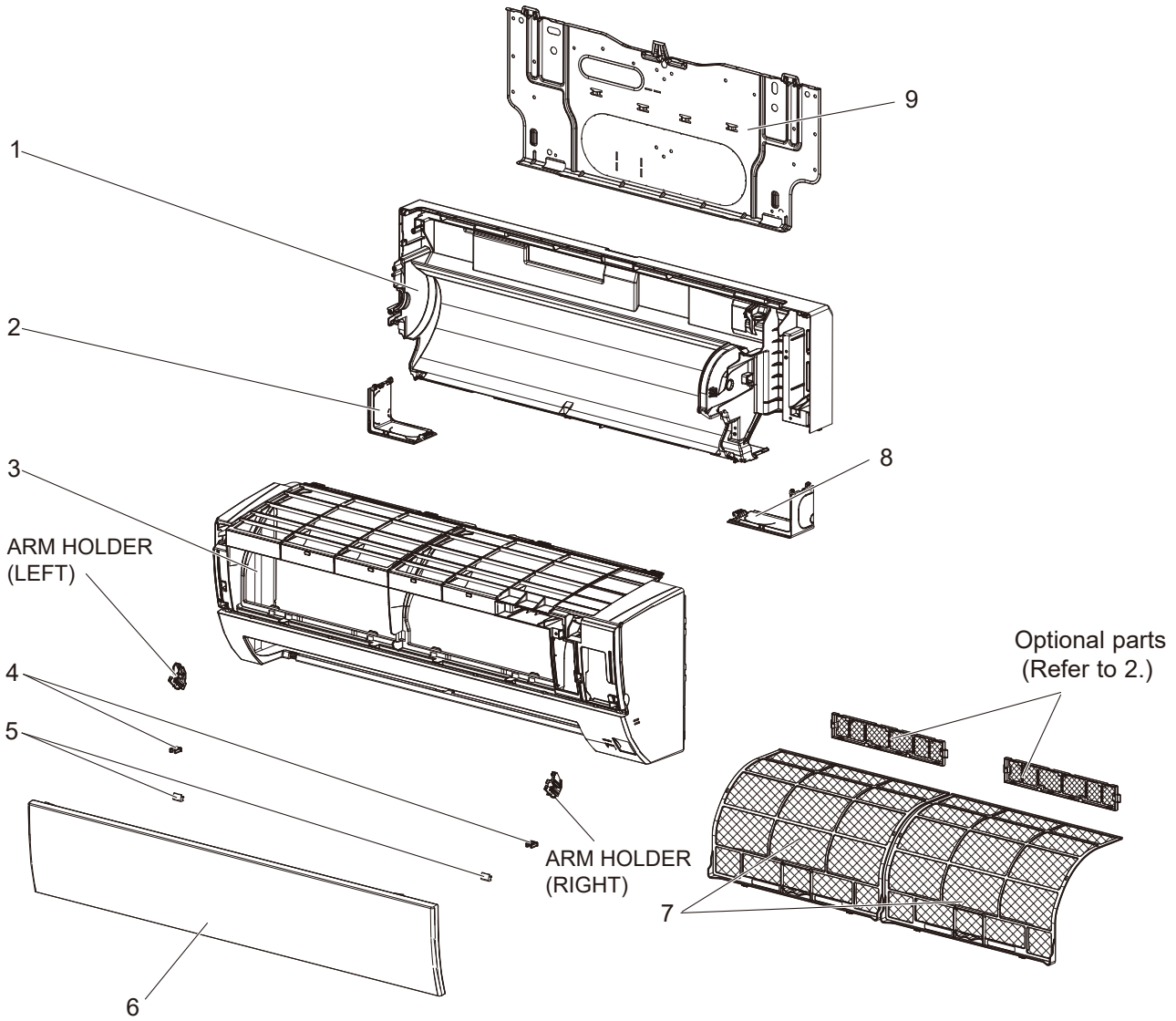




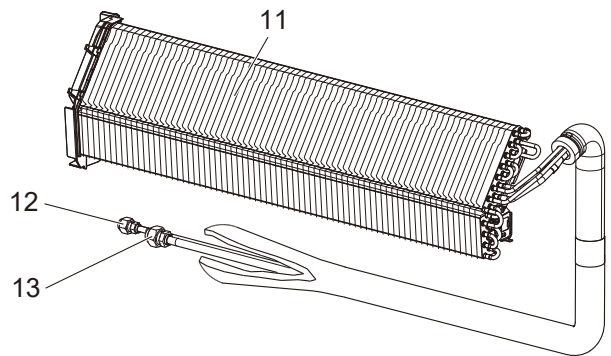
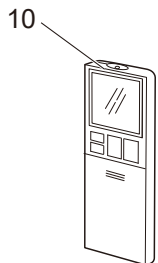
**1-4. INDOOR UNIT ELECTRICAL PARTS AND FUNCTIONAL PARTS**

No.	Part No.	Part name	Symbol in Wiring Diagram	MODEL Q'TY/UNIT											Remarks		
				MSZ-BT20VG-E1	MSZ-BT20VG-ER1	MSZ-BT20VG-ET1	MSZ-BT25VG-E1	MSZ-BT25VG-ER1	MSZ-BT25VG-ET1	MSZ-BT35VG-E1	MSZ-BT35VG-ER1	MSZ-BT35VG-ET1	MSZ-BT50VG-E1	MSZ-BT50VG-ER1		MSZ-BT50VG-ET1	
1	E22 A89 509	BEARING MOUNT ASSEMBLY		1	1	1	1	1	1	1	1	1	1	1	1	1	Includes sleeve bearing
2	E22 P72 702	DRAIN HOSE		1	1	1	1	1	1	1	1	1	1	1	1	1	
3	E22 26K 235	NOZZLE ASSEMBLY		1	1	1	1	1	1	1	1	1	1	1	1	1	Full assembly except drain hose
4	E22 26K 040	HORIZONTAL VANE		1	1	1	1	1	1	1	1	1	1	1	1	1	
5	E22 A89 303	VANE MOTOR	MV	1	1	1	1	1	1	1	1	1	1	1	1	1	
6	E22 26K 541	WATER COVER		1	1	1	1	1	1	1	1	1	1	1	1	1	
7	E22 26K 333	MOTOR BAND		1	1	1	1	1	1	1	1	1	1	1	1	1	
8	E22 94B 784	V.A. CLAMP		1	1	1	1	1	1	1	1	1	1	1	1	1	
9	E22 94B 095	DISPLAY RECEIVER P.C. BOARD HOLDER		1	1	1	1	1	1	1	1	1	1	1	1	1	
10	E22 26K 452	CONTROL P.C. BOARD		1	1	1											Includes terminal P.C. board with terminal block attached, power monitor receiver SW P.C. board and RT11
10	E22 27K 452	CONTROL P.C. BOARD					1	1	1								Includes terminal P.C. board with terminal block attached, power monitor receiver SW P.C. board and RT11
10	E22 28K 452	CONTROL P.C. BOARD									1	1	1				Includes terminal P.C. board with terminal block attached, power monitor receiver SW P.C. board and RT11
10	E22 29K 452	CONTROL P.C. BOARD												1	1	1	Includes terminal P.C. board with terminal block attached, power monitor receiver SW P.C. board and RT11
11	E22 26K 307	INDOOR COIL THERMISTOR	RT12,RT13	1	1	1	1	1	1	1	1	1	1				
11	E22 29K 307	INDOOR COIL THERMISTOR	RT12,RT13											1	1	1	
12	E22 42J 382	FUSE	F11	1	1	1	1	1	1	1	1	1	1	1	1	1	T3.15AL250V
13	E22 K90 385	VARISTOR	NR11	1	1	1	1	1	1	1	1	1	1	1	1	1	
14	E22 29A 300	INDOOR FAN MOTOR	MF	1	1	1	1	1	1	1	1	1	1	1	1	1	RC0J30-□□, Includes rubber mounts
15	E22 J98 302	LINE FLOW FAN		1	1	1	1	1	1	1	1	1	1	1	1	1	

**MSZ-BT20VGK MSZ-BT25VGK MSZ-BT35VGK MSZ-BT50VGK**  
**1-5. INDOOR UNIT STRUCTURAL PARTS**



**1-6. ACCESSORY AND REMOTE CONTROLLER 1-7. INDOOR UNIT HEAT EXCHANGER**



## 1-5. INDOOR UNIT STRUCTURAL PARTS

No.	Part No.	Part name	Symbol in Wiring Diagram	MODEL Q'TY/UNIT								Remarks
				MSZ-BT20VGK- <input type="checkbox"/> E1	MSZ-BT20VGK- <input type="checkbox"/> ET1	MSZ-BT25VGK- <input type="checkbox"/> E1	MSZ-BT25VGK- <input type="checkbox"/> ET1	MSZ-BT35VGK- <input type="checkbox"/> E1	MSZ-BT35VGK- <input type="checkbox"/> ET1	MSZ-BT50VGK- <input type="checkbox"/> E1	MSZ-BT50VGK- <input type="checkbox"/> ET1	
1	E22 26K 234	BOX ASSEMBLY		1	1	1	1	1	1	1	1	
2	E22 94B 976	CORNER BOX L		1	1	1	1	1	1	1	1	
3	E22 26K 000	PANEL ASSEMBLY		1	1	1	1	1	1	1	1	Includes 4, 5, and 6
4	E22 F95 142	CATCH		2	2	2	2	2	2	2	2	2pcs/set
5	E22 94B 067	SCREW CAP		2	2	2	2	2	2	2	2	2pcs/set
6	E22 26K 010	FRONT PANEL		1	1	1	1	1	1	1	1	
7	E22 26K 100	AIR FILTER		2	2	2	2	2	2	2	2	1 PC/Set
8	E22 94B 975	CORNER BOX R		1	1	1	1	1	1	1	1	
9	E22 94B 970	INSTALLATION PLATE		1	1	1	1	1	1	1	1	

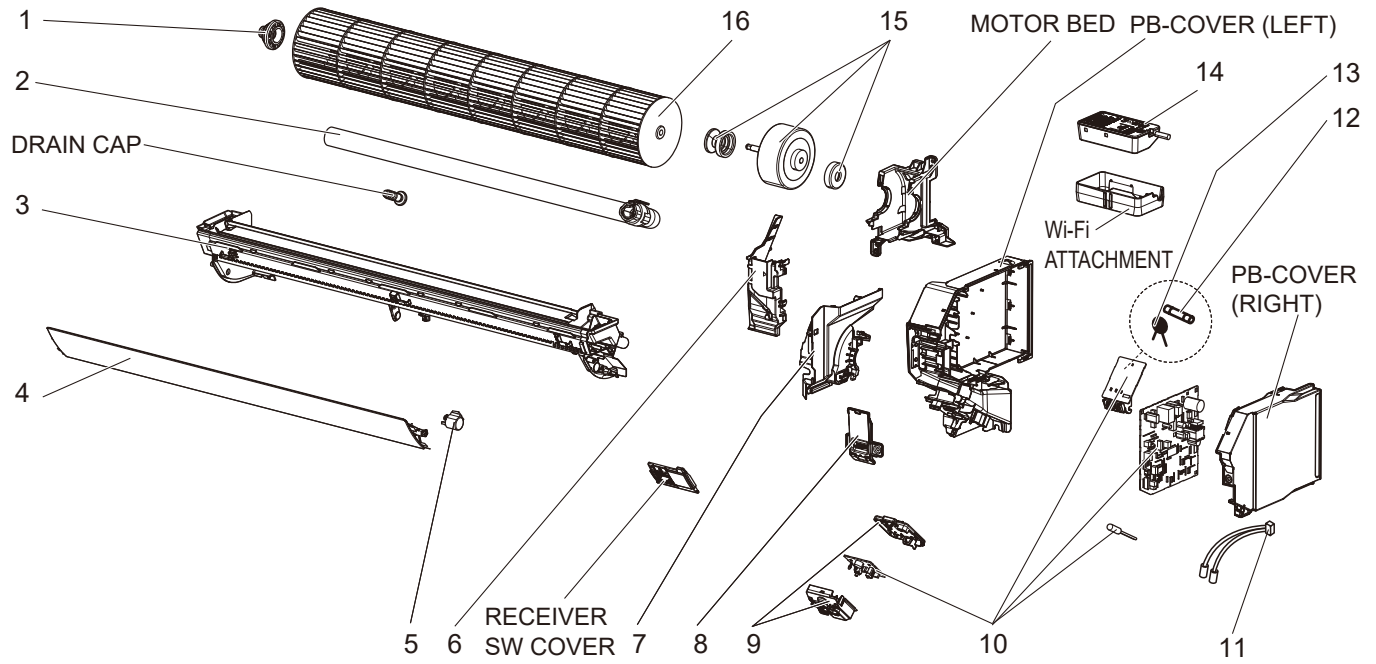
## 1-6. ACCESSORY AND REMOTE CONTROLLER

No.	Part No.	Part name	Symbol in Wiring Diagram	MODEL Q'TY/UNIT								Remarks
				MSZ-BT20VGK- <input type="checkbox"/> E1	MSZ-BT20VGK- <input type="checkbox"/> ET1	MSZ-BT25VGK- <input type="checkbox"/> E1	MSZ-BT25VGK- <input type="checkbox"/> ET1	MSZ-BT35VGK- <input type="checkbox"/> E1	MSZ-BT35VGK- <input type="checkbox"/> ET1	MSZ-BT50VGK- <input type="checkbox"/> E1	MSZ-BT50VGK- <input type="checkbox"/> ET1	
10	E22 26K 426	REMOTE CONTROLLER		1	1	1	1	1	1	1	1	ZH19A

## 1-7. INDOOR UNIT HEAT EXCHANGER

No.	Part No.	Part name	Symbol in Wiring Diagram	MODEL Q'TY/UNIT								Remarks
				MSZ-BT20VGK- <input type="checkbox"/> E1	MSZ-BT20VGK- <input type="checkbox"/> ET1	MSZ-BT25VGK- <input type="checkbox"/> E1	MSZ-BT25VGK- <input type="checkbox"/> ET1	MSZ-BT35VGK- <input type="checkbox"/> E1	MSZ-BT35VGK- <input type="checkbox"/> ET1	MSZ-BT50VGK- <input type="checkbox"/> E1	MSZ-BT50VGK- <input type="checkbox"/> ET1	
11	E22 26K 620	INDOOR HEAT EXCHANGER		1	1	1	1	1	1			
11	E22 29K 620	INDOOR HEAT EXCHANGER								1	1	
12	E22 151 667	UNION(LIQ)		1	1	1	1	1	1	1	1	ø6.35
13	E22 151 666	UNION(GAS)		1	1	1	1	1	1			ø9.52
13	E22 155 666	UNION(GAS)								1	1	ø12.7

**MSZ-BT20VGK MSZ-BT25VGK MSZ-BT35VGK MSZ-BT50VGK**  
**1-8. INDOOR UNIT ELECTRICAL PARTS AND FUNCTIONAL PARTS**





## 1-8. INDOOR UNIT ELECTRICAL PARTS AND FUNCTIONAL PARTS

No.	Part No.	Part name	Symbol in Wiring Diagram	MODEL Q'TY/UNIT								Remarks	
				MSZ-BT20VGK-ET1	MSZ-BT20VGK-ET1	MSZ-BT25VGK-ET1	MSZ-BT25VGK-ET1	MSZ-BT35VGK-ET1	MSZ-BT35VGK-ET1	MSZ-BT50VGK-ET1	MSZ-BT50VGK-ET1		
1	E22 A89 509	BEARING MOUNT ASSEMBLY		1	1	1	1	1	1	1	1	1	Includes sleeve bearing
2	E22 P72 702	DRAIN HOSE		1	1	1	1	1	1	1	1	1	
3	E22 26K 235	NOZZLE ASSEMBLY		1	1	1	1	1	1	1	1	1	Full assembly except drain hose
4	E22 26K 040	HORIZONTAL VANE		1	1	1	1	1	1	1	1	1	
5	E22 A89 303	VANE MOTOR	MV	1	1	1	1	1	1	1	1	1	
6	E22 26K 541	WATER COVER		1	1	1	1	1	1	1	1	1	
7	E22 26K 333	MOTOR BAND		1	1	1	1	1	1	1	1	1	
8	E22 94B 784	V.A. CLAMP		1	1	1	1	1	1	1	1	1	
9	E22 94B 095	DISPLAY RECEIVER P.C. BOARD HOLDER		1	1	1	1	1	1	1	1	1	
10	E22 26K 452	CONTROL P.C. BOARD		1	1								Includes terminal P.C. board with terminal block attached, power monitor receiver SW P.C. board and RT11
10	E22 27K 452	CONTROL P.C. BOARD				1	1						Includes terminal P.C. board with terminal block attached, power monitor receiver SW P.C. board and RT11
10	E22 28K 452	CONTROL P.C. BOARD						1	1				Includes terminal P.C. board with terminal block attached, power monitor receiver SW P.C. board and RT11
10	E22 29K 452	CONTROL P.C. BOARD								1	1		Includes terminal P.C. board with terminal block attached, power monitor receiver SW P.C. board and RT11
11	E22 26K 307	INDOOR COIL THERMISTOR	RT12,RT13	1	1	1	1	1	1				
11	E22 29K 307	INDOOR COIL THERMISTOR	RT12,RT13								1	1	
12	E22 42J 382	FUSE	F11	1	1	1	1	1	1	1	1	1	T3.15AL250V
13	E22 K90 385	VARISTOR	NR11	1	1	1	1	1	1	1	1	1	
14	E22 33M 457	WI-FI INTERFACE		1	1	1	1	1	1	1	1	1	
15	E22 29A 300	INDOOR FAN MOTOR	MF	1	1	1	1	1	1	1	1	1	RC0J30-□□, Includes rubber mounts
16	E22 J98 302	LINE FLOW FAN		1	1	1	1	1	1	1	1	1	

## 2-1. AIR CLEANING FILTER (SILVER-IONIZED AIR PURIFIER FILTER)

Model	Part No.
MSZ-BT20VG	MAC-2370FT-E
MSZ-BT25VG	
MSZ-BT35VG	
MSZ-BT50VG	
MSZ-BT20VGK	
MSZ-BT25VGK	
MSZ-BT35VGK	
MSZ-BT50VGK	

### Every 3 months:

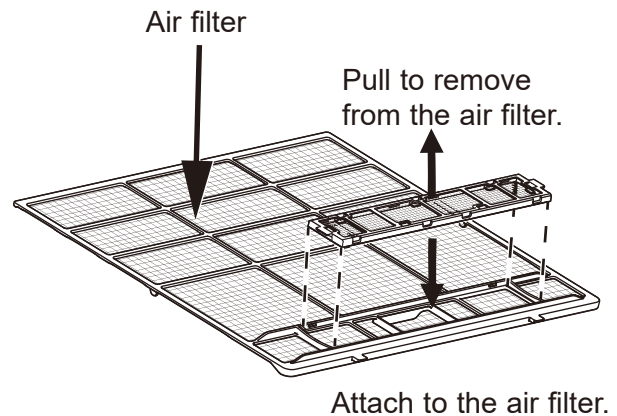
- Remove dirt by a vacuum cleaner.

### When dirt cannot be removed by vacuum cleaning:

- Soak the filter and its frame in lukewarm water before rinsing it.
- After washing, dry it well in shade. Install all tabs of the air filter.

### Every year:

- Replace it with a new air cleaning filter for best performance.



# mitsubishi electric corporation

HEAD OFFICE: TOKYO BUILDING, 2-7-3, MARUNOUCHI, CHIYODA-KU, TOKYO 100-8310, JAPAN

© Copyright 2019 MITSUBISHI ELECTRIC CORPORATION

Issued: Feb. 2020. No. OBB849 REVISED EDITION-B

Issued: Dec. 2019. No. OBB849 REVISED EDITION-A

Published: Oct. 2019. No. OBB849

Made in Japan

Specifications are subject to change without notice.