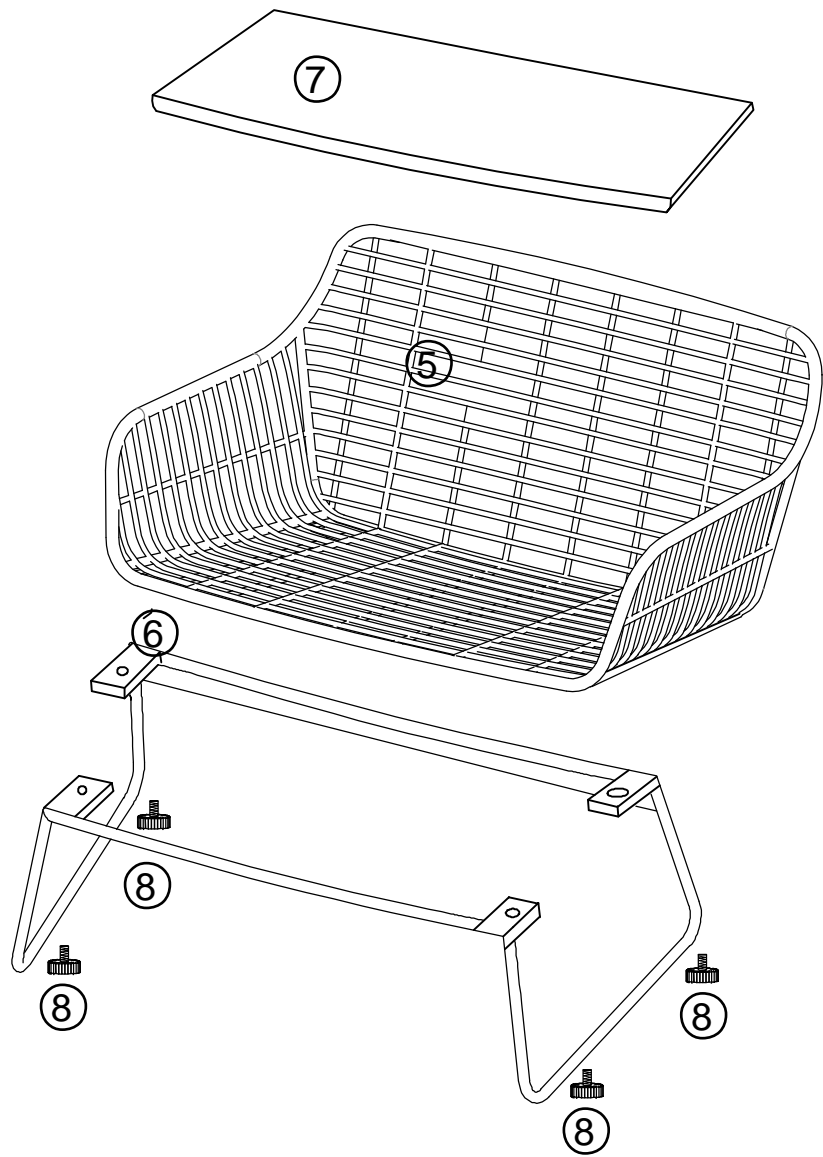


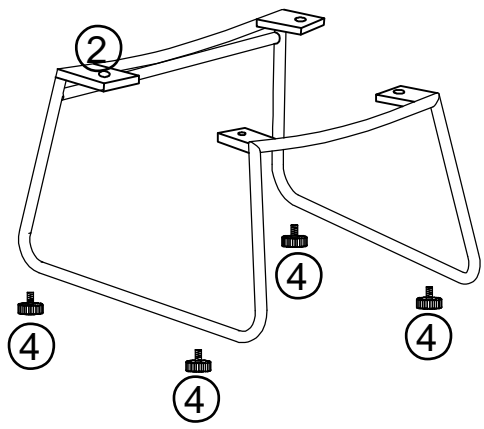
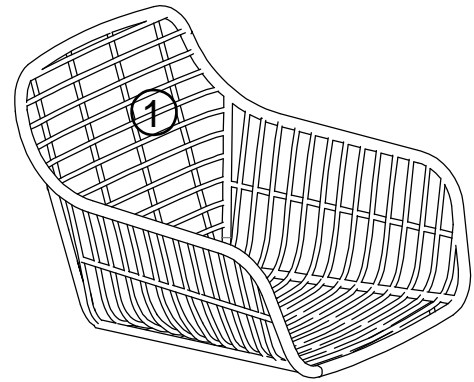
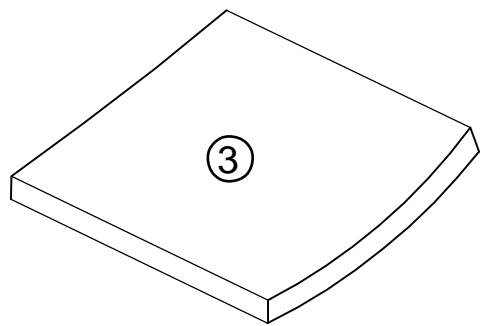
12		adjustable feet	steel/ plastic	φ15mm
11		Glass		
10		leg	steel	φ19*0.7cm
9		frame	steel/ plastic	
ret:		Name	Quantity	Specification
NC				

Rev	NAME	DATE
01		
02		
03		
04		
05		
06		



8	adjustable feet	plastic/steel	φ15mm
7	cushion	polyester	
6	leg	steel	φ19*0.7mm
5	frame	steel	φ22*0.7mm
ref.	Name	Quantity	Specification
NC			

Rev	NAME	DATE
01		
02		
03		
04		
05		
06		



4	adjustable feet	plastic/steel	φ15mm
3	cushion	polyester	
2	leg	steel	φ19*0.7cm
1	Frame	steel	φ22*0.7cm
ref. NC	Name	Quantity	Specification

Rev	NOME	DATE
01		
02		
03		
04		
05		
06		