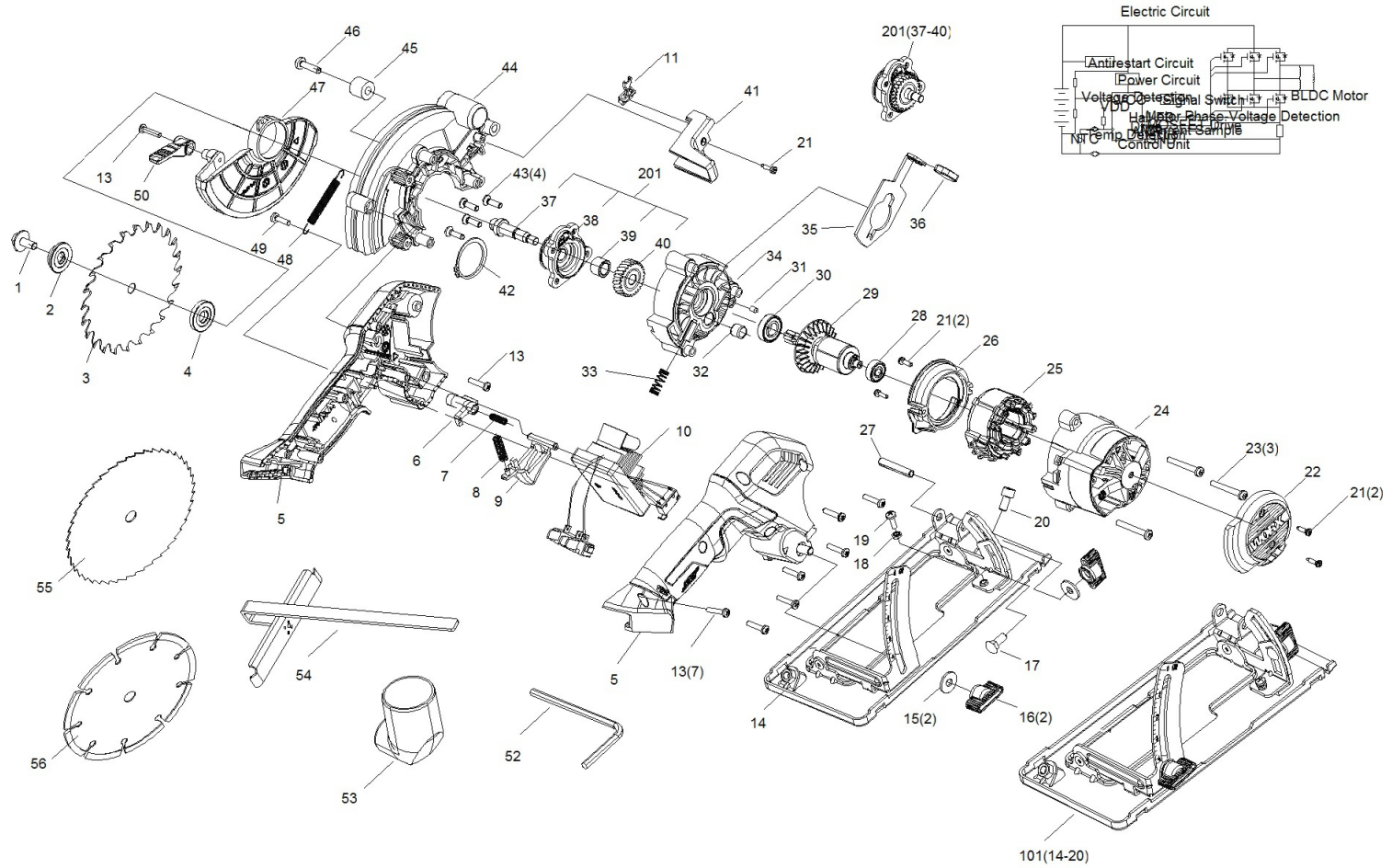



WX531.9



WX531.9

🗨	Part No	Description	Substitute parts	Qty
1	50033240	Bolt		1
2	50039238	Outer Flange		1
3	50039087	Saw Blade for WA5100		1
4	50039242	Inner Flange		1
5	50040511	Handle		1
6	50040208	Switch Lock Button		1
7	50019662	Compression Spring		1
8	50000616	Compression spring		1
9	50040201	Switch Lever		1
10	50040514	Switch Assembly		1
11	50040202	Light		1
13	50002811	Self tapping screw		9
14	50040513	Base Assembly		1
15	50003043	Washer		2
16	50033744	Locking Knob		2
17	50002511	Bolt		1
18	50002545	Nut		1
19	50002605	Screw		1
20	50021235	Screw	50026593	1
20	50026593	Screw		1

## WX531.9

	Part No	Description	Substitute parts	Qty
21	50002935	Self tapping screw		5
22	50040198	Rear Cover		1
23	50038877	Self Tapping ScrewwST4.2x35		3
24	50040197	Motor Houseing		1
25	50040870	Stator		1
26	50040194	Wind Baffle Ring		1
27	50018043	Spring		1
28	50003124	Bearing		1
29	50040200	Rotor		1
30	50020322	Ball Bearing		1
31	50040210	Rubber Pin		1
32	50014897	Needle Bearing		1
33	50041003	Spring		1
34	50040206	Gear Box		1
35	50040199	Locking Shaft Piece		1
36	50033732	Knob Cover		1
37	50040195	Spindle		1
38	50040203	Gear Box Cover		1
39	50040193	Shaft Cover		1
40	50040205	Main Gear		1

## WX531.9

	Part No	Description	Substitute parts	Qty
41	50040209	Cover		1
42	50023804	Retaining Ring		1
43	50025695	Self Tapping Screw		4
44	50040204	Fixed Guard		1
45	50025782	Rubber Ring		1
46	50027459	Self Tapping Screw		1
47	50040207	Movable Guard		1
48	50000673	Extension spring		1
49	50028105	Self tapping screw		1
50	50025784	Lever		1
52	50018339	Spanner		1
53	50037295	Vacuum adaptor $\phi$ 35		1
54	50025792	Scale		1
55	50031435	115mm 60T HCS for WA8302		1
56	50026020	Saw Blade(Diamond) WA5048		1
101	50041005	Base Assembly		1
201	50040872	Gear Box Cover Assembly		1
F1	50041020	Rated label		1