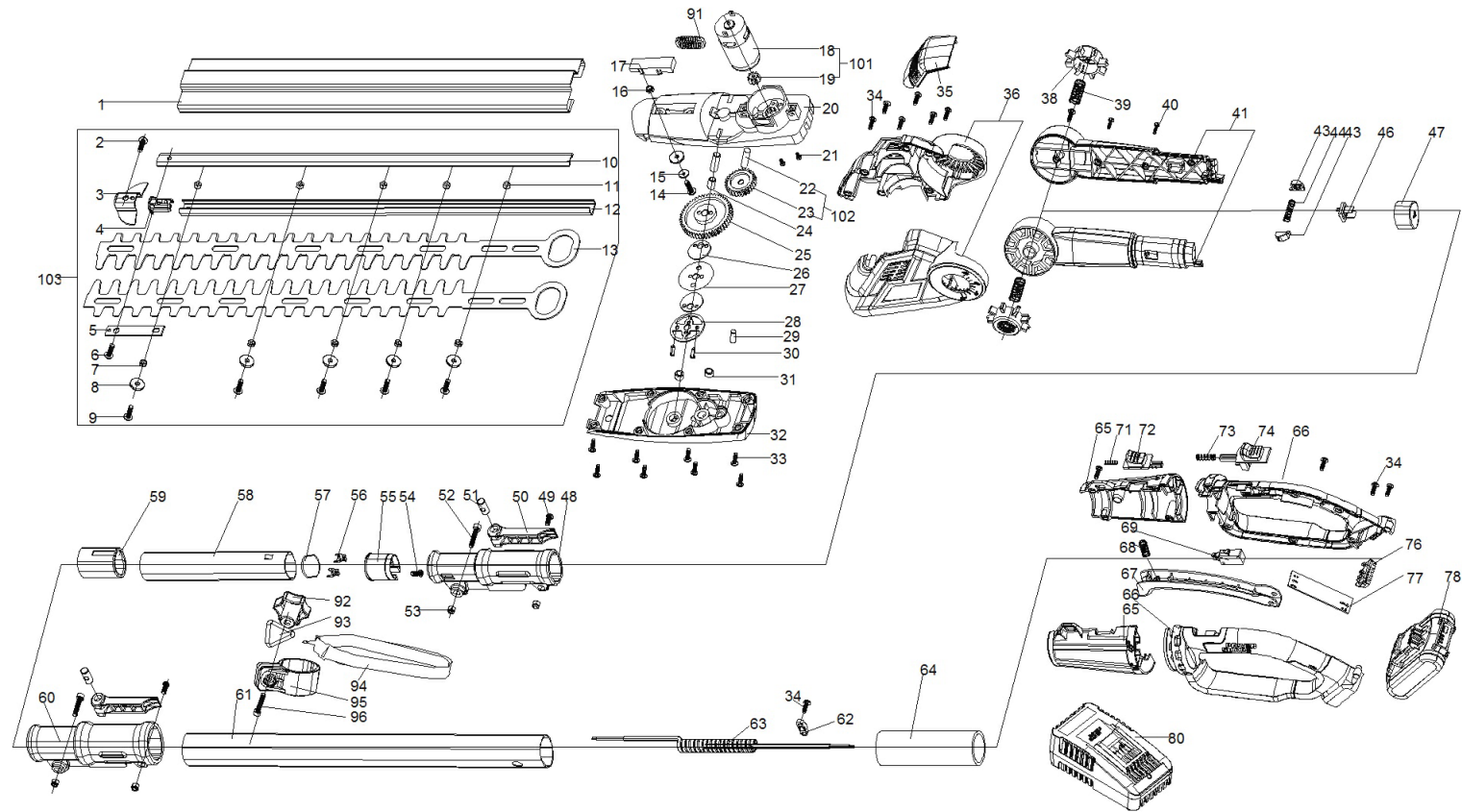




WG252E




WG252E

	Part No	Description	Qty
1	60054020	Knife cover	1
2	60054021	Screw ST3.9*10	1
3	60054022	Blade head	1
4	60054023	Blade plug	1
5	60054024	Blade connection piece	1
6	60054025	Screw ST3.9*10	1
7	60054026	Lining ring (5.2X7.7X3.4)	5
8	60054027	Gasket (5X17X2)	5
9	60054028	Screw M5*12	5
10	60054029	Aluminum cover	1
11	60054030	Self-locking nut M5	9
12	60054031	Channel steel	1
13	60054032	Blade	2
14	60054033	Screw M5*25	2
15	60054034	Spring pad \varnothing 5	2
16	60054035	Nut M5	2
17	60054036	Nut cover	1
18	60054037	Motor	1
19	60054038	Motor gear	1
20	60054039	Gear box upper case	1


WG252E

	Part No	Description	Qty
21	60054040	Screw M3X6	2
22	60054041	Gear positioning pin	2
23	60054042	Double gear	1
24	60054043	Bearing (ø6Xø9X13.4)	2
25	60054044	Big gear	1
26	60054045	Cam piece	2
27	60054046	Blade spacer	1
28	60054047	Blade plate	1
29	60054048	Motor gear limit pin 6*17	1
30	60054049	Cam fixing pin	2
31	60054050	Gear positioning ring	2
32	60054051	Gear box lower case	1
33	60054052	Screw ST3.5*12	8
34	60054053	Screw ST3.9*14	16
35	60054054	Decorative cover	1
36	60054055	Left/Right Case	1
38	60054056	Button	2
39	60054057	Spring 0.9*10.9*30	2
40	60054058	Screw ST2.9X12	4
41	60054059	Left/Right Rotary Handle	1


WG252E

	Part No	Description	Qty
43	60054060	Left/Right Button	1
44	60054061	Spring 0.7*6.8*32	1
46	60054062	Connecting insert seat	1
47	60054063	Protection cap	1
48	60054064	Connection sleeve	1
49	60054065	Screws M5*32	2
50	60054066	Locking wrench	2
51	60054067	Locking pin	2
52	60054068	Screw M5*12	2
53	60054069	Locking nut M5	4
54	60054070	Screw ST3X12	1
55	60054071	Connecting tab seat	1
56	60054072	Circuit board	1
57	60054073	Connecting tab	2
58	60054074	Connecting rod	1
59	60054075	Plug	1
60	60054076	Connection sleeve	1
61	60054077	Large connecting rod	1
62	60054078	Cable press plate	1
63	60054079	Spring line	1

WG252E

	Part No	Description	Qty
64	60054080	Sponge cover	1
65	60054081	Left/Right handle connector	1
66	60054252	Left/Right handle	1
67	60054083	Switch handle	1
68	60054084	Spring 0.8*7.8*22	1
69	60054085	Switch	1
71	60054086	Spring 0.5X4.2X15	1
72	60054087	Rotary switch	1
73	60054088	Spring 0.6*6.2*22	1
74	60054089	Switch lock button	1
76	60054253	European insert seat	1
77	60054091	Circuit board 2	1
78	50032288	"Battery Pack(Li-ion,2.0Ah,20V) WA3551"	1
80	50036688	"Charger(100-240V,2.0Ah,20V)WA3880"	1
91	60054254	Inductance	1
92	60054255	4 # knob	2
93	60054256	Hang buckle	1
94	60054257	Shoulder strap	1
95	60054258	Pull sleeve	1
96	60054259	Screws M6*25	1

WG252E

	Part No	Description	Qty
101	60054092	Motor set	1
102	60054093	Gear set	1
103	60054094	Blade set	1