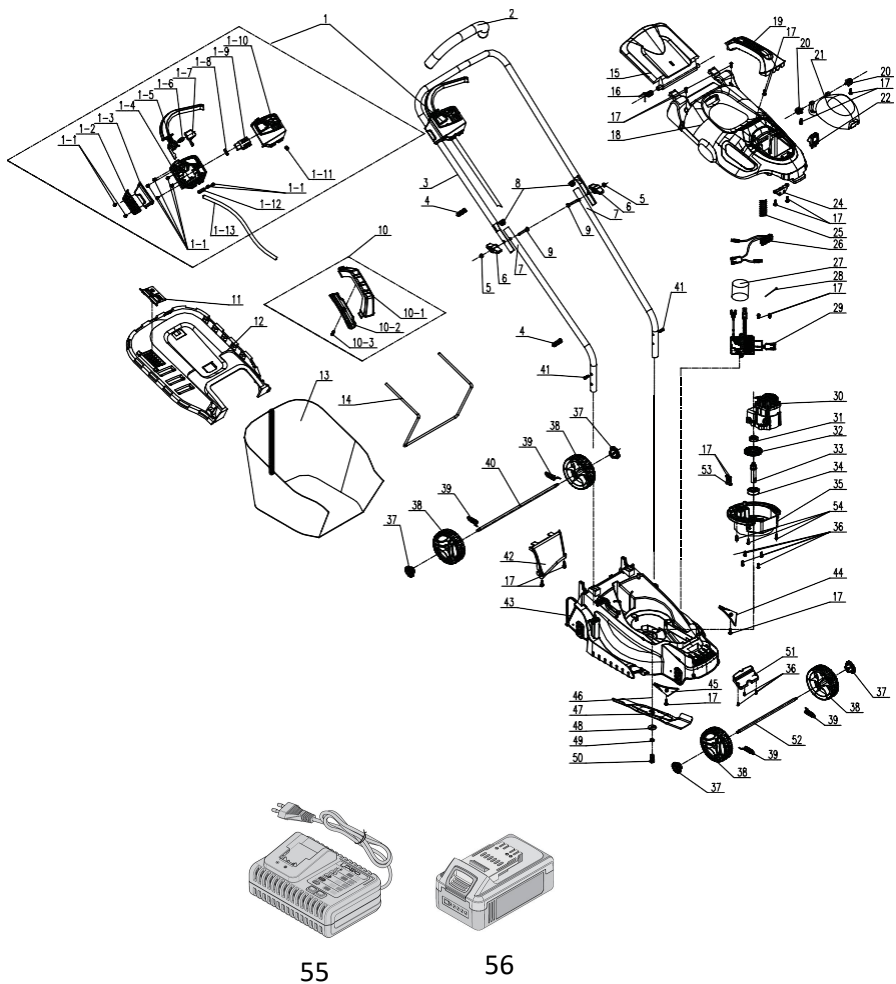


## 8.2 EXPLODED VIEW



POS	PART NUMBER	DESCRIPTION	NUM
1	A022033-009-00	switch box component	1
1-1	8206-000001-00	Bolt	9
1-2	8020-512012-01	Cover	1
1-3	8020-512011-00	Cover	1
1-4	A022033-004-00	Switch box	1
1-5	8044-512010-00	Trigger	1

POS	PART NUMBER	DESCRIPTION	NUM
1-6	8342-481501-00	Spring	1
1-7	8020-512009-01	Button	1
1-8	8342-463002-00	Spring	1
1-9	8042-660102-00	Push button switch	1
1-10	A022033-003-00	Switch box	1
1-11	8301-660803-01	Stifled piece	1
1-12	8184-302201-00	Cable pressplate	1
1-13	A022010-034-00	Two - cell cable	1
2	8331-515701-00	Sponge	1
3	A022033-010-00	Handle	1
4	8007-512001-00	Line Deduction	2
5	8NH-06D	Nut	2
6	8313-512001-00	Knob	2
7	A021040-014-00	Handle	2
8	A022010-032-01	Stopcock	2
9	A021040-020-00	Square neck bolt	2
10	8440-512012-00	Hand shank	1
10-1	8001-512002-00	Hand shank	1
10-2	8020-512006-00	Lower cover	1
10-3	8SJAB40-14	Self tapping screw	1
11	8181-513001-01	Indicator board	1
12	A021040-012-00	Cover	1
13	A021040-010-00	Clippings bag	1
14	A021040-011-00	Support	1
15	A021040-004-00	Cover	1
16	A021040-016-00	Torsional spring	1
17	8206-000001-00	Self tapping screw	15
18	A022033-006-00	Cover	1
19	A022033-008-00	Handle	1
20	A022033-012-00	Pin	2
21	A022033-005-00	Cover	1
22	8045-513001-00	Key	1
24	A022033-007-00	Holder	1
25	9342-903105-00	Spring	1
26	A022033-011-00	Stent components	1
27	8415-510902-00	Retardation coil	1

POS	PART NUMBER	DESCRIPTION	NUM
28	236-1017	Tie wire belt	4
29	A022010-013-02	Electronic components	1
30	A022010-014-00	Motor assy'	1
31	8BC-260908-ST	629Z Bearing	1
32	8123-855101-00	Big gear	1
33	A022010-015-01	Output shaft	1
34	8BC-351511-SS01	6202Z Bearing	1
35	A022010-009-02	Gear box	1
36	8SNAB50-20	Self tapping screw	9
37	A021040-015-00	Knob	4
38	8121-512001-00	Wheel	4
39	8342-510702-03	Raise the tension spring	4
40	A021040-006-00	Shaft	1
41	8SJAC48-20	Self tapping screw	2
42	A021040-008-00	Guide plate	1
43	A021040-001-00	Housing	1
44	A021040-017-00	Guide plate	1
45	A021040-018-00	Guide plate	1
46	A022010-033-01	Pipe sleeve	1
47	A022033-002-00	Blade	1
48	8325-532405-00	Washer	1
49	8WS-08B	Spring washer	1
50	8206-511001-01	Blade bolt	1
51	A022033-013-00	Counterweight block	1
52	A021040-005-00	Shaft	1
53	8184-302201-00	Cable clamp	1
54	8SNAB50-25	Self tapping screw	3
55	20VCH1-3A.19	STANDARD CHARGER FOR 20V BATTERY	1
56	20VBA2-50.19	BATTERY 20V 5AH	1