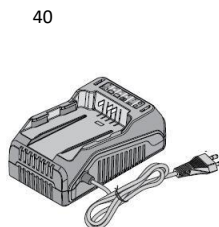
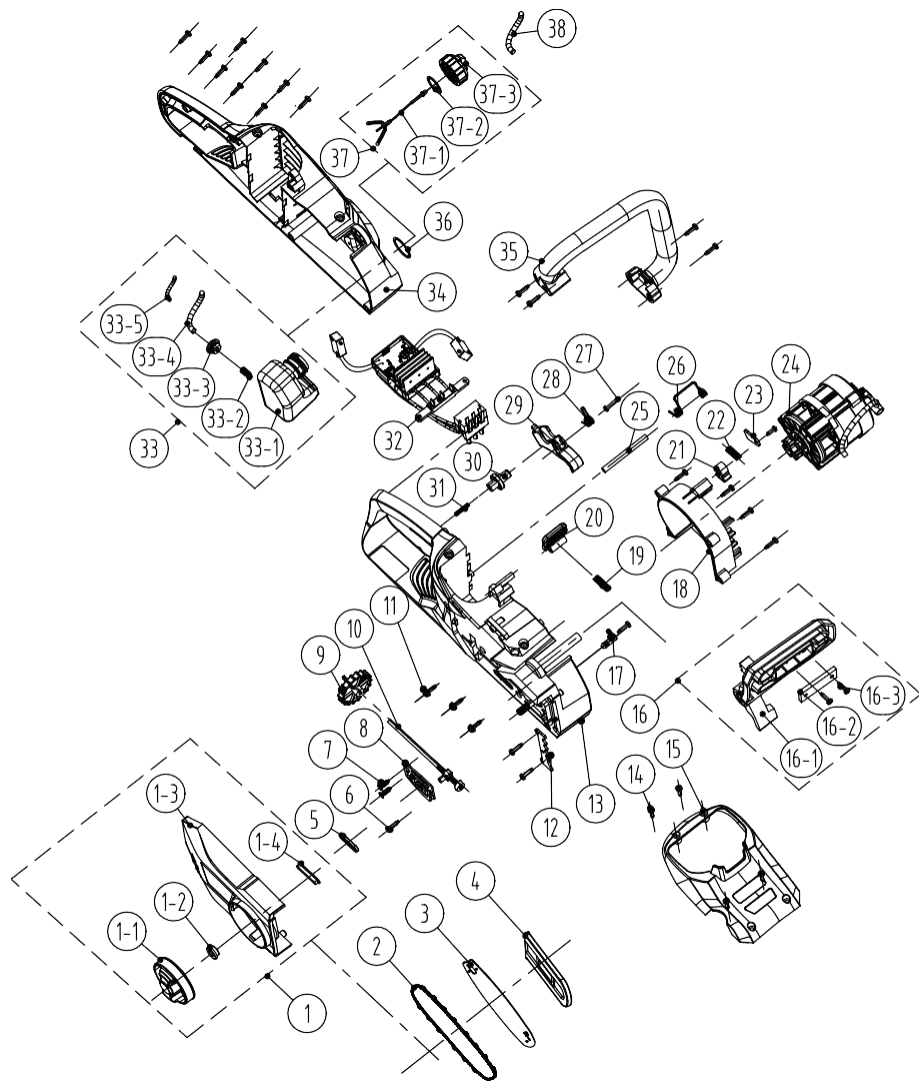


8.3 EXPLODED VIEW



POS	PART NUMBER	DESCRIPTION	NUM
1-1	8313-438801	Knob	1
1-2	8334-463101	Shaft Sleeve	1
1-3	8021-438801	Cover	1
1-4	8208-438801	End Cover Seal Ring	1
2	243-0029	Chain	1
3	243-0065	Chain board	1
4	8331-430402	Knife set	1
1	8440-438801	Adjust the end cap assembly	1
5	8208-438301	Oil-out seal ring	1
6	8SJAB40-16	Self tapping screw	22
7	8SEAB40-12	Self tapping screw	2
8	8202-438801	Heat insulation washer	1
9	8313-436501	Adjusting knob	1
10	8440-491105	Adjust lever assy	1
11	8SJGN50-25	Screw	3
12	8181-433501-01	Buffer Plate	1
13	8006-438802-01	Right housing	1
14	8SJAB40-16	Self tapping screw	4
15	8020-438801	Upper cover	1
16	8440-438802	Protection plate assembly	1
16-1	8185-438801	Preventer Plate	1
16-2	8302-438801	Impact Block	1
16-3	8SJAB40-10	Screws	2
17	8440-431210	Oil outlet joint assembly	1
18	8024-438801	Wind Guide cover	1
19	8342-521704	Button spring	1
20	8044-780501-01	Battery pack button	1
21	8304-433201	Locating piece	1
22	8342-481501	Brake lever spring	1
23	8182-471902	Pressure plate	1
24	8440-438805-01	Motor Oil pump assembly	1
25	8081-438801	Spring locating shaft	1

POS	PART NUMBER	DESCRIPTION	NUM
26	8342-438801	Battery box spring	1
27	8SJAB30-25	Self tapping screw	1
28	8342-432101	Switch torsion spring	1
29	8312-438801	Trigger	1
30	8312-433501	Button	1
31	8342-463002	Spring	1
32	8414-438802	Electronic components	1
33	8440-438803	Oil box assy	1
33-1	8165-438801	Fuel Tank	1
33-2	8342-437501-02	Filter The Spring	1
33-3	8208-462503	Oil Box Seal Ring	1
33-4	234-1003	Transparent Oil Tube	90mm
33-5	8342-000002	Tubing Setting Spring	60mm
34	8006-438801-01	Left housing	1
35	8003-438801	Front handle	1
36	8341-491801	Rubber washer	1
37	8440-438807	Oil box cap assy	1
37-1	8088-438401	Hanger	1
37-2	8208-431901-01	Sealing Ring	1
37-3	8020-438802	Oil Box Cap	1
38	234-1003	Transparent oil tube	120mm
39	40VBA2-50.19	40V Charger	1
40	40VCH1-3A.1	Charge 40V	1