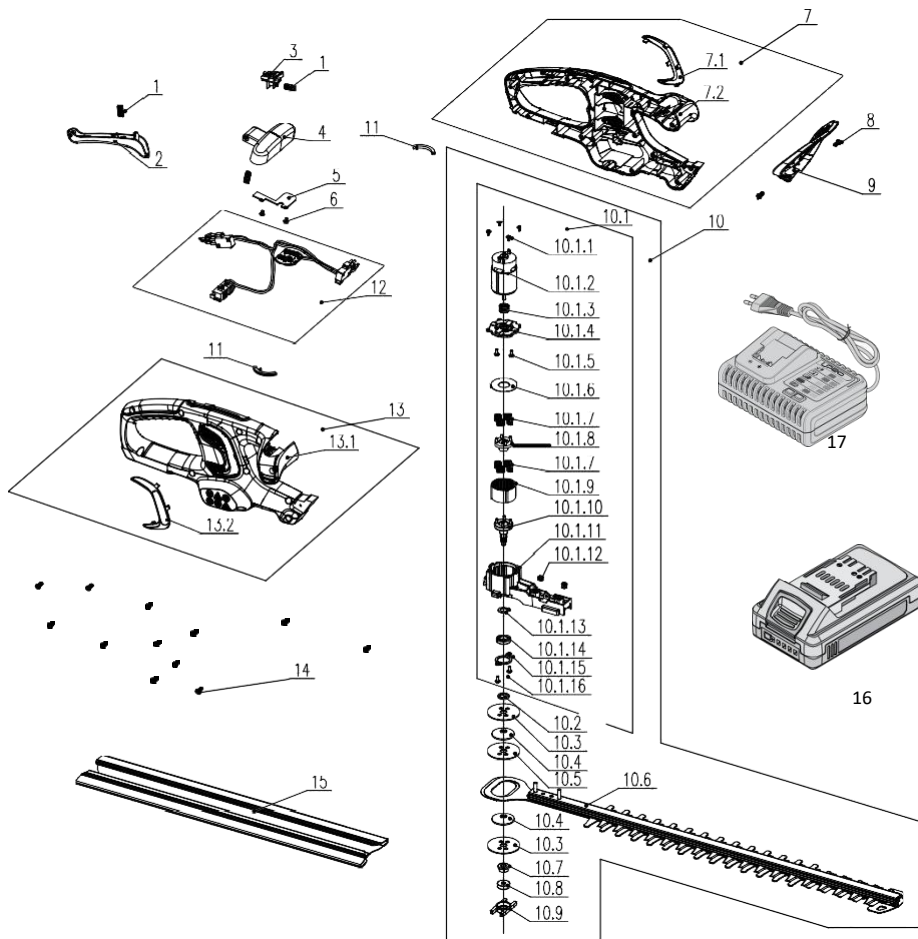


### 8.3 EXPLODED VIEW



POS	PART NUMBER	DESCRIPTION	NUM
1	8342-534101-00	Spring	3
2	A043022-006-00	Back trigger	1
3	A043022-007-00	Lock off button	1
4	A043022-008-00	Foretrigger	1
5	A043022-011-00	Pressure plate	1
6	8SNAB30-10D	Self tapping screw	2

POS	PART NUMBER	DESCRIPTION	NUM
7	A043022-030-00	Right housing assembly	1
7.1	A043022-004-00	Right overlay cover	1
7.2	A043022-002-00	Right housing	1
8	8SJGB40-08D	Self tapping screw	2
9	A043022-005-00	Protective cover	1
10	A043022-031-00	Motor blade assembly	1
10.1	A043022-032-00	Motor gearbox assembly	1
10.1.1	8SNAB30-16D	Self tapping screw	4
10.1.2	A043022-012-00	Motor	1
10.1.3	A043022-035	Gear	1
10.1.4	A043022-009-00	Gear box cover	1
10.1.5	8SNAF03-08D	Screw	2
10.1.6	A043022-013-00	Washer	1
10.1.7	A043022-036	Gear	8
10.1.8	A043022-037	Planetary frame	1
10.1.9	A043022-038	Gear ring	1
10.1.10	A043022-014-00	Output shaft	1
10.1.11	A043022-010-00	Gear box	1
10.1.12	8NH-05D	Locking nut	2
10.1.13	8CC-12B	Axis with circlips	1
10.1.14	8BC-211205-ST	Bearing	1
10.1.15	A043022-015-00	Bearing plate	1
10.1.16	8SNAB30-10D	Self tapping screw	2
10.2	A043022-016-00	Axle sleeve	1
10.3	A043022-017-00	Base plate	2
10.4	A043022-018-00	Wobbler	2
10.5	A043022-019-00	Gasket	1
10.6	A043022-020-00	Blade assy	1
10.7	8NG-08D	Nut	1
10.8	8BC-190606-ST	Bearing	1
10.9	8301-534101-00	Bearings fixed block	1
11	8341-754401-00	Vibration reduction pad	2

POS	PART NUMBER	DESCRIPTION	NUM
12	A043022-033-00	Connection Wire Assembly	1
13	A043022-034-00	Left housing assembly	1
13.1	A043022-001-00	Left housing	1
13.2	A043022-002-00	Left overlay cover	1
14	8SJGB40-16D	Self tapping screw	12
15	A043022-043	Blade cover	1
16	20VBA2-25.19	20V 2.5Ah Li-ion Battery Pack	1
17	20VCH1-3A.19	20V Charger	1