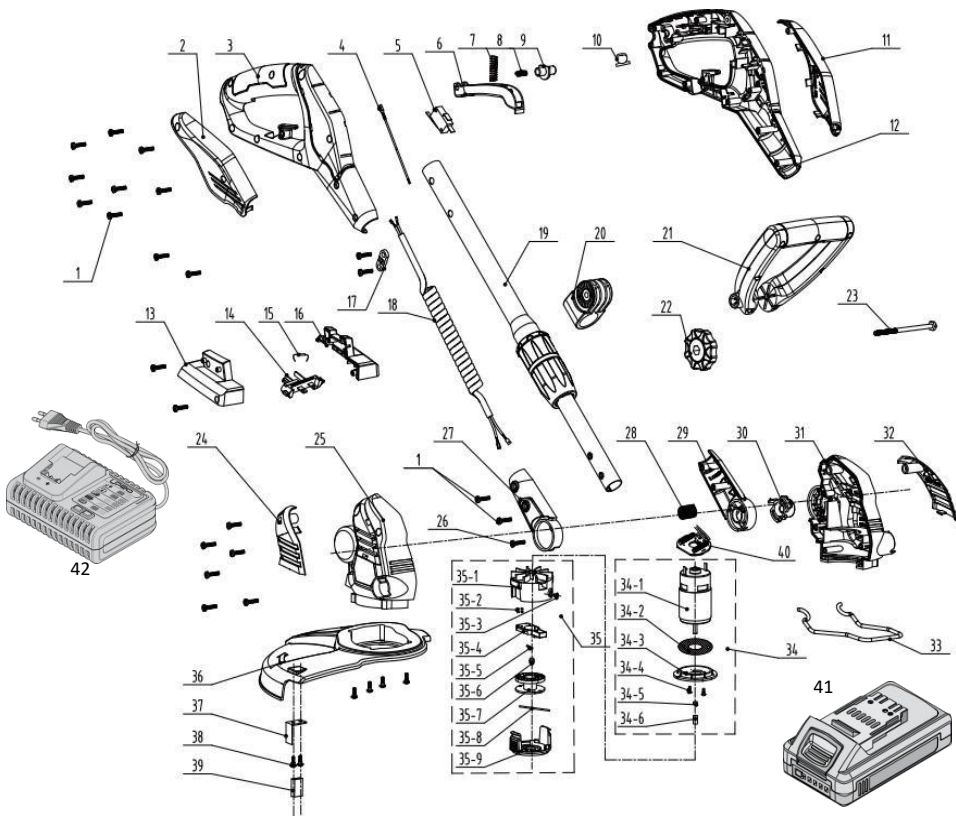


8.3 EXPLODED VIEW



| POS | PART NUMBER | DESCRIPTION | NUM |
|-----|----------------|-------------------------|-----|
| 1 | 8SJAB40-14 | Self tapping screw | 26 |
| 2 | 8020-740302-00 | Decorative cover | 1 |
| 3 | 8001-740302-00 | Right The handle | 1 |
| 4 | 8413-740307-00 | Connecting wire | 1 |
| 5 | 8042-740101-01 | Microswitch | 1 |
| 6 | 8044-740301-00 | Switch trigger | 1 |
| 7 | 8342-740201-00 | Spring | 1 |
| 8 | 8342-535703-00 | Anti lock button spring | 1 |
| 9 | 8312-526201-01 | Lock off button | 1 |
| 10 | 8020-740307-00 | Cable plug | 1 |
| 11 | 8020-740301-00 | Decorative cover | 1 |
| 12 | 8001-740301-00 | left The handle | 1 |

| POS | PART NUMBER | DESCRIPTION | NUM |
|------|----------------|-----------------------------|-----|
| 13 | 8020-740309-00 | Right battery cover | 1 |
| 14 | 8063001-070-00 | Battery attachment bracket | 1 |
| 15 | 8417-810136-00 | Electronic components | 1 |
| 16 | 8020-740308-00 | Left battery cover | 1 |
| 17 | 8184-282101-00 | Cable clamp | 1 |
| 18 | 8413-740308-01 | Spring line | 1 |
| 19 | 8440-523802-01 | Connecting pipe assembly | 1 |
| 20 | 8141-523801-00 | Handle base | 1 |
| 21 | A031013-010-00 | Auxiliary handle assembly | 1 |
| 22 | 8440-521703-00 | Knob assy' | 1 |
| 23 | 8SFDD06-80D | Hexagon headed bolt | 1 |
| 24 | 8020-740304-00 | Decorative cover | 1 |
| 25 | 8006-740302-00 | Right housing | 1 |
| 26 | 8SJAB40-12D | Self tapping screw | 1 |
| 27 | 8024-740302-00 | Right aluminum cover | 1 |
| 28 | 8342-740204-01 | Steering spring | 1 |
| 29 | 8024-740301-00 | Left aluminum cover | 1 |
| 30 | 8312-740202-00 | Button | 1 |
| 31 | 8006-740301-00 | Left housing | 1 |
| 32 | 8020-740303-00 | Decorative cover | 1 |
| 33 | 8291-740301-00 | Wire rack | 1 |
| 34 | 8440-741803-00 | Motor assy' | 1 |
| 34.1 | 8401-740101-00 | Motor | 1 |
| 34.2 | 8350-740301-00 | Metal net | 1 |
| 34.3 | 8187-740101-01 | Motor fi xing plate | 1 |
| 34.4 | 8SJGN04-08D01 | Combination screw | 2 |
| 34.5 | 8334-740102-00 | Locating sleeve | 1 |
| 34.6 | 8334-740101-01 | Axle sleeve | 1 |
| 35 | 8440-740804-00 | Cutting grass head assy | 1 |
| 35.1 | 8020-740205-00 | Cutting head base | 1 |
| 35.2 | 8303-740101-00 | Control board balance block | 4 |
| 35.3 | 8RE05-05A | Line hole | 1 |
| 35.4 | 8181-740101-00 | Outlet control board | 1 |

| POS | PART NUMBER | DESCRIPTION | NUM |
|------|----------------|-------------------------------|-----|
| 35.5 | 8342-521701-00 | Slide spring | 1 |
| 35.6 | 8NA-05B | Hexagon nut | 1 |
| 35.7 | 8139-740101-00 | Wire seat | 1 |
| 35.8 | 247-1002 | Nylon wire | 1 |
| 35.9 | 8020-740206-01 | Grass mowing head cover | 1 |
| 36 | 8024-740303-00 | Protective cover | 1 |
| 37 | 8231-524301-00 | Blade | 1 |
| 38 | 8SJAB40-08 | Self tapping screw | 2 |
| 39 | 8331-526103-00 | Knife set | 1 |
| 40 | 8414-742603-00 | Electronic components | 1 |
| 41 | 20VBA2-25.19 | 20V 2.5Ah Li-ion Battery Pack | 1 |
| 42 | 20VCH1-3A.19 | 20V Charger | 1 |