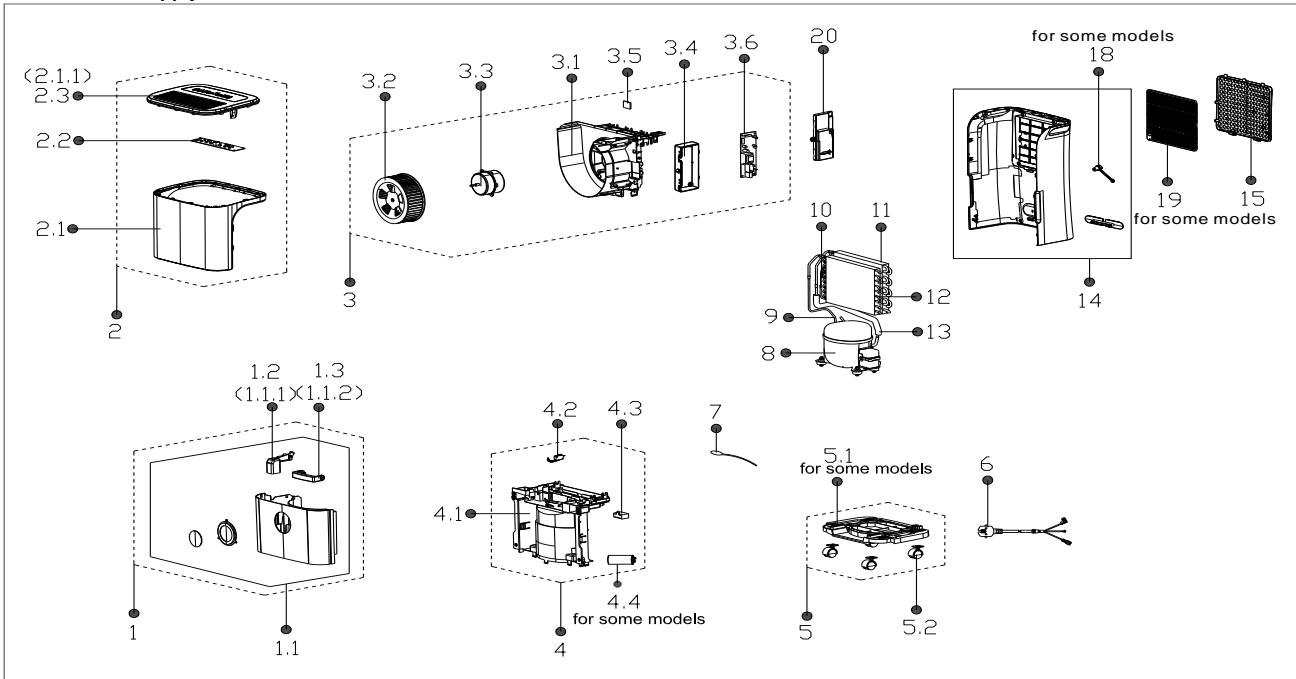


Exploded View

Sale Model: MDDF-16DEN7-QA3
 Product Code: 22020110001981
 Power Supply: 220_240V_1Ph

Export Time: 2021-10-14 08:37:26



No.	Chinese Name	Part Name	Quantity	BOM Code	Price	Remark1	Remark2
1	水箱部件	Water tank assembly	1.0	12120100005279			
1.1	水箱组件	Water tank assembly	1.0	12120100005280			
1.1.1	水箱浮筒	Dobber case	1.0	12120100000940			
1.1.2	水箱提手	Handle of water tank	1.0	12120100005679			
2	前面板部件	Front panel assembly	1.0	12120100005202			
2.1	前面板组件	Front panel	1.0	12120100005201			
2.1.1	顶盖	Top cover	1.0	12120100004399			
2.2	除湿机显示板组件	Display board assembly	1.0	17120100A02052			
3	蜗壳部件	Volute shell assembly	1.0	12120100006683			
3.1	蜗壳组件	Volute shell assembly	1.0	12120100005245			
3.2	离心风轮(铝芯)	Centrifugal fan	1.0	12100103000051			
3.3	单相异步电机	Asynchronous motor	1.0	11002012031715			
3.4	电控盒	Electronic control box subasse	1.0	12120100005205			
3.5	湿度传感器板组件(插件)	Humidity sensor subassembly	1.0	17120100000344			
3.6	除湿机主控板组件	Dehumidifier main control boar	1.0	17120100003400			
4	中隔板部件	Middle partition board	1.0	12120100005200			
4.1	中隔板组件	Middle partition board	1.0	12120100A17527			
4.2	微动开关	Micro switch	1.0	17400512000362		MS-18-W	
4.3	电容(插片式)(P2)	Capacitor	1.0	17400101000049		1.2UF/450V-P2	
5	底盘组件	Chassis assembly	1.0	12120100006179			
5.1	底盘	Chassis	1.0	P0000000987666			
5.2	万向轮	Universal wheel	4.0	12620100000016			
6	电源线组件(带插头)	Power cord assembly	1.0	17401202000200		P-VDE/16A/250V-H75	
7	管温传感器	Pipe temperature sensor assemb	1.0	11201007003444		CGQ-WD/GW4100-L700	
8	定速往复压缩机	Compressor	1.0	11101010016797		DFR50HF (G)	
9	压缩机回气管部件	Suction pipe assembly	1.0	15120100001835			
10	毛细管部件	Capillary assembly	1.0	15120100001832			
11	冷凝器部件	Condenser assembly	1.0	15820100000193			
12	蒸发器部件	Evaporator coil assembly	1.0	15820100000544			
13	压缩机排气管部件	Discharge pipe assembly	1.0	15120100001914			
14	后面板组件	Rear panel assembly	1.0	12120100A17528			
15	进风格栅	Air inlet grille	1.0	12120100004392			
20	电控盒盖	Cover of electronic control bo	1.0	12120100005199			

