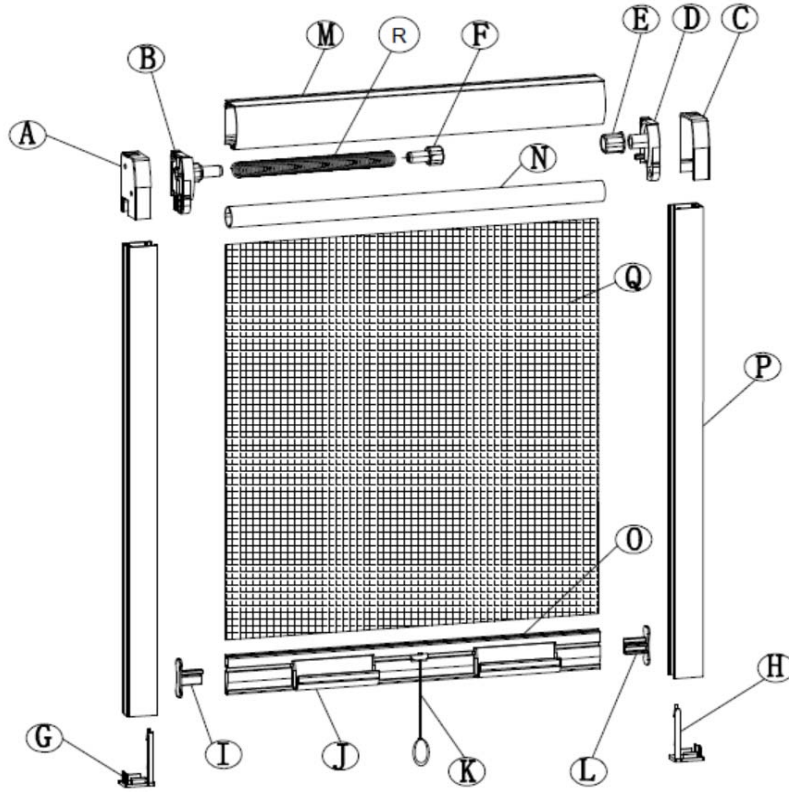


# BOM List for Products

<b>ADEO Ref</b>	827674
<b>EAN Code</b>	3276007175929

## Explosion Drawing



Parts No.	Quantity	Spec	Material & Surface process
A	1		PA6
B	1		PA6
C	1		PA6
D	1		PA6
E	2		PA6
F	1		PA6
G	1		PA6
H	1		PA6
I	1		PA6
J	1		PA6
K	1		PA6
L	1		PA6
M	1	1179mm	Aluminium
N	1	1179mm	Aluminium
O	1	1179mm	Aluminium
P	2	1150mm	Aluminium
Q	1	1200X1200mm	Fiberglass
R	1	450mm	Spring Steel