

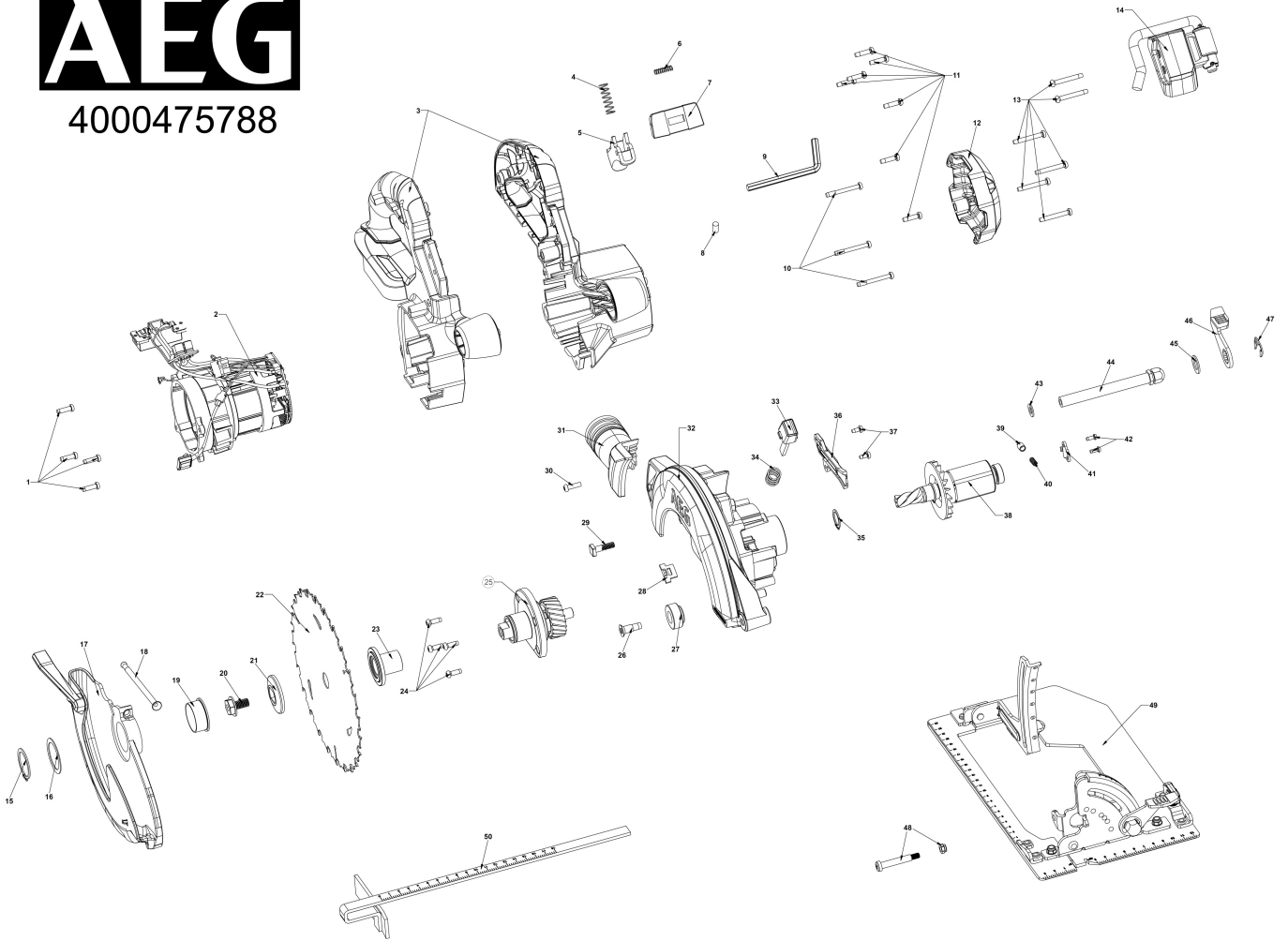
BKS18BL2-0 SCIE CIRCULAIRE AC. XXX

4935479661 - BKS18BL2-0 - 4000475778



AEG

4000475788



Position	Quantité	Désignation	Référence	EAN
1001	4	VIS	4931435150	4002395859948
1002	1	PIECE NON DETAILLEE	1000063920	
1003	1	CARTER	4931494001	4058546428822
1004	1	RESSORT	4931480840	4058546428556
1005	1	TRINGLE	4931494002	4058546428839
1006	1	RESSORT	4931479490	4058546388058
1007	1	TRINGLE	4931494003	4058546428846
1008	1	PIECE NON DETAILLEE	1000063920	
1009	1	CLE	4931454264	4002395286584
1010	3	VIS	4931454268	4002395283828
1011	7	VIS	660024044	4002395834518
1012	1	COUVERCLE	4931494004	4058546428853
1013	6	PIECE NON DETAILLEE	1000063920	
1014	1	CROCHET	4931494005	4058546428860
1015	1	CIRCLIP INTERIEUR	4931494006	4058546428877
1016	1	RONDELLE	4931494007	4058546428884
1017	1	LAME D.SCIE PROTEC.	4931494008	4058546428891
1018	1	RESSORT	40500045	4058546072674
1019	1	DOUILLE	4931494009	4058546428907
1020	1	VIS	4931436296	4002395253883
1021	1	BRIDE	4931494010	4058546428914
1023	1	BRIDE	4931494011	4058546428921
1024	4	VIS	4931466482	4058546276997
1025	1	CARTER D"ENGRENAGE	4931494012	4058546428938
1026	1	VIS	4931436306	4002395254576
1027	1	BUTOIR CAOUTCHOUC	4931494013	4058546428945
1028	1	COUVERCLE	4931494014	4058546428952
1029	1	VIS	4931494015	4058546428969
1030	1	VIS	4931454375	4002395286256
1031	1	ADAPT.POUR PONCEUSE	4931494016	4058546428976
1032	1	CARTER PROTECTION	4931494017	4058546428983
1033	1	TRINGLE	4931494018	4058546428990
1034	1	RESSORT	4931479498	4058546388133
1035	1	CIRCLIP INTERIEUR	4931494019	4058546429003
1036	1	COUVERCLE	4931494020	4058546429010
1037	2	VIS	4931436673	4002395257539
1038	1	INDUIT	4931494021	4058546429027
1039	1	GOUPILLE	4931494022	4058546429034
1040	1	RESSORT	4931494023	4058546429041
1041	1	COUVERCLE	4931494024	4058546429058
1042	2	VIS	4931436265	4002395253418
1043	1	RONDELLE	4931453039	4002395170043
1044	1	SEGMENT D"AJUSTAGE	4931494025	4058546429065
1045	1	RONDELLE	4931494026	4058546429072
1046	1	LEVIER	4931494027	4058546429089
1047	1	CIRCLIP INTERIEUR	4931466984	4058546282011
1048	1	VIS	4931494028	4058546429096
1049	1	PLAQUE DE BASE	4931494029	4058546429102
1050	1	RAIL DE GUIDAGE	4931436322	4002395252534