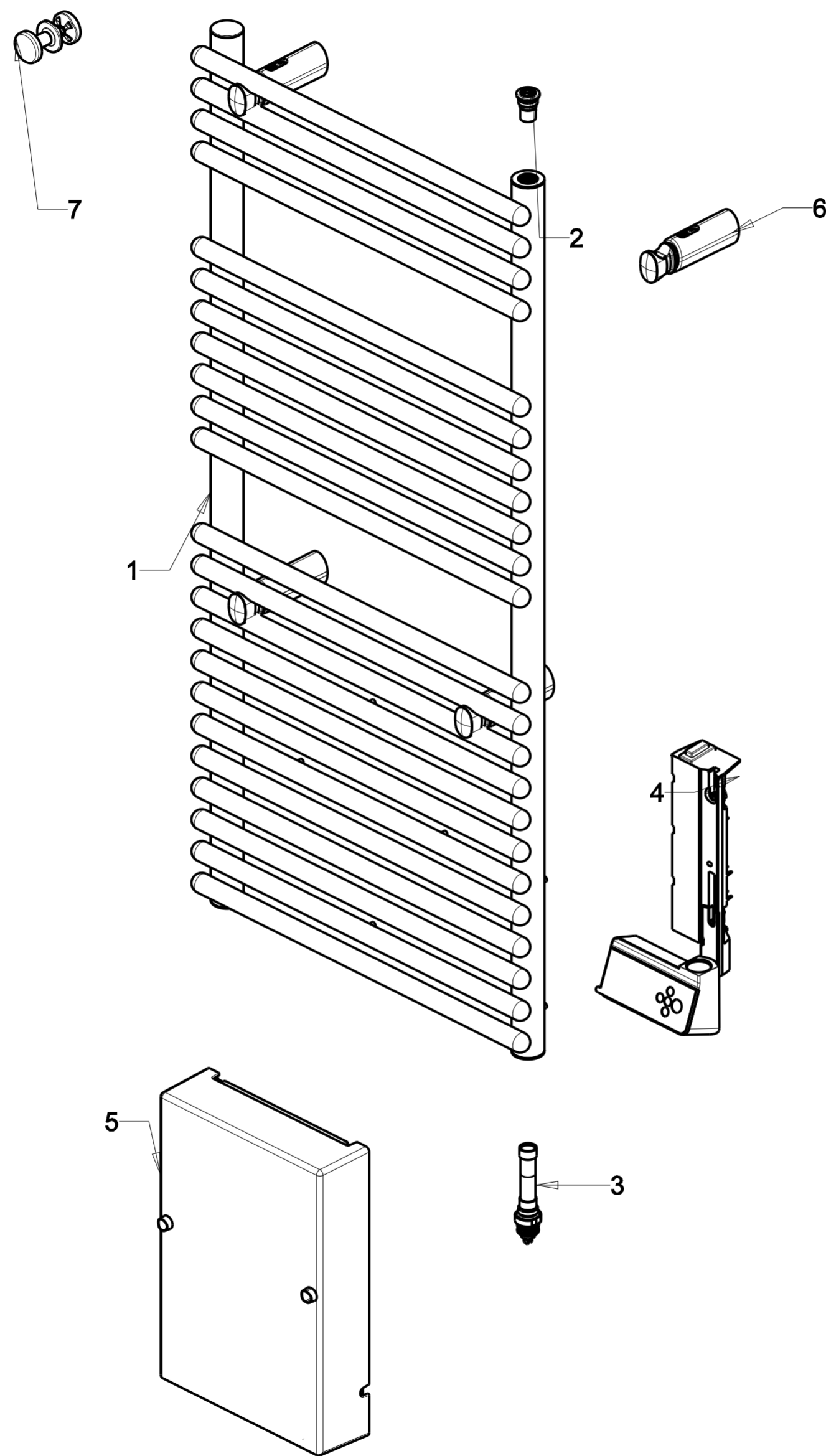


SCALE 0.200

-	-	-	-	-	-
A	02.07.2020	Creation of drawing	-	-	muraty
Ind	Date	Modification	Modif/Demand	Modif by	
		Weight:	Material:		
		drawn by muraty	checked by	status	ERP ID U0682755
creation date 02.07.2020		Raw Fr 1070x500 Wh 21R08P03-6		PLM ID 00U06827550	folio 1 / 1
size A2	scale 0.050	REV. A			

This drawing can't be, without authorization, neither copied, neither reproduced, or communicated to thirds. Law of July 14, 1909 on the drawings and the models.



NO	DESIGNATION	QTY	Commercial Code Spare Parts
1	Frame	1	
2	Airvent	1	
3	Heating Element 500w, O-Ring NBR	1	
4	Kit IC1 Bottom Power Box With Fan	1	089133
5	Kit Fan Unit	1	091442
6	Bracket Kit	1	098873
6.1	WALL BRACKET INNER TUBE ELLIPSE (x4)		
6.2	WALL BRACKET TUBE FIXER ELLIPSE (x4)		
6.3	WALL BRACKET HOUSING ELLIPSE (x4)		
6.4	WALL BRACKET COVER ELLIPSE (x4)		
6.5	M 5 x 12 BOLT (x4)		
6.6	M5 SQUARE NUT (x4)		
6.7	5/16"x30 COUNTERSUNK BOLD (x4)		
7	Peg (x2)	1	098685

-	-	-	-	-
A	02.07.2020	Creation of drawing	-	muraty
Ind	Date	Modification	Modif/Demand	Modif by
		Weight:	Material:	
		drawn by muraty	checked by	status
creation date	02.07.2020	Adeo Elc Raw Fr 1070x500 Wh		ERP ID U0682755
size	A2	scale	0.050	PLM ID 00U06827550
folio 2 / 1 REV. A This drawing can't be, without authorization, neither copied, neither reproduced, or communicated to thirds. Law of July 14, 1909 on the drawings and the models.				