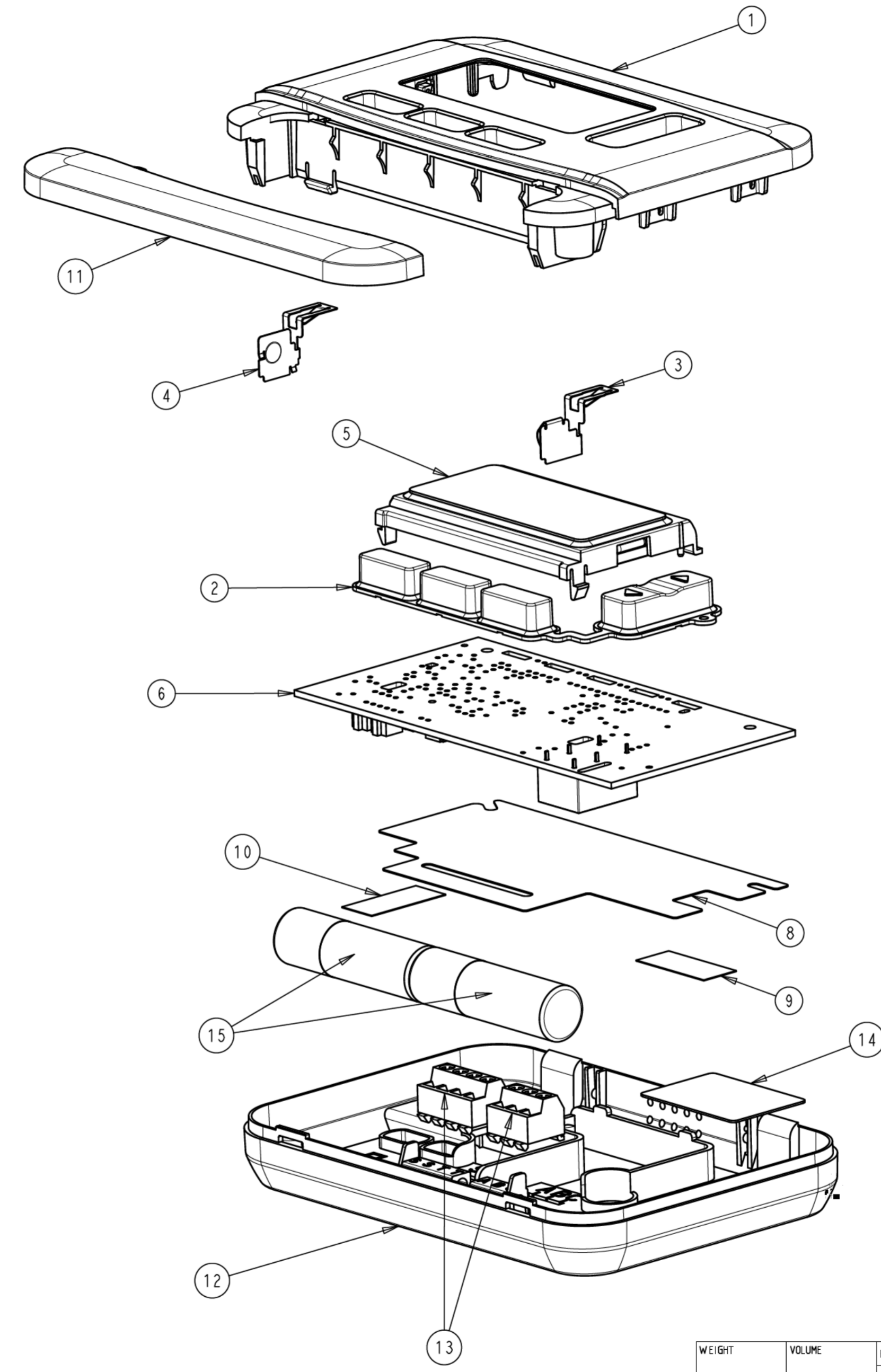
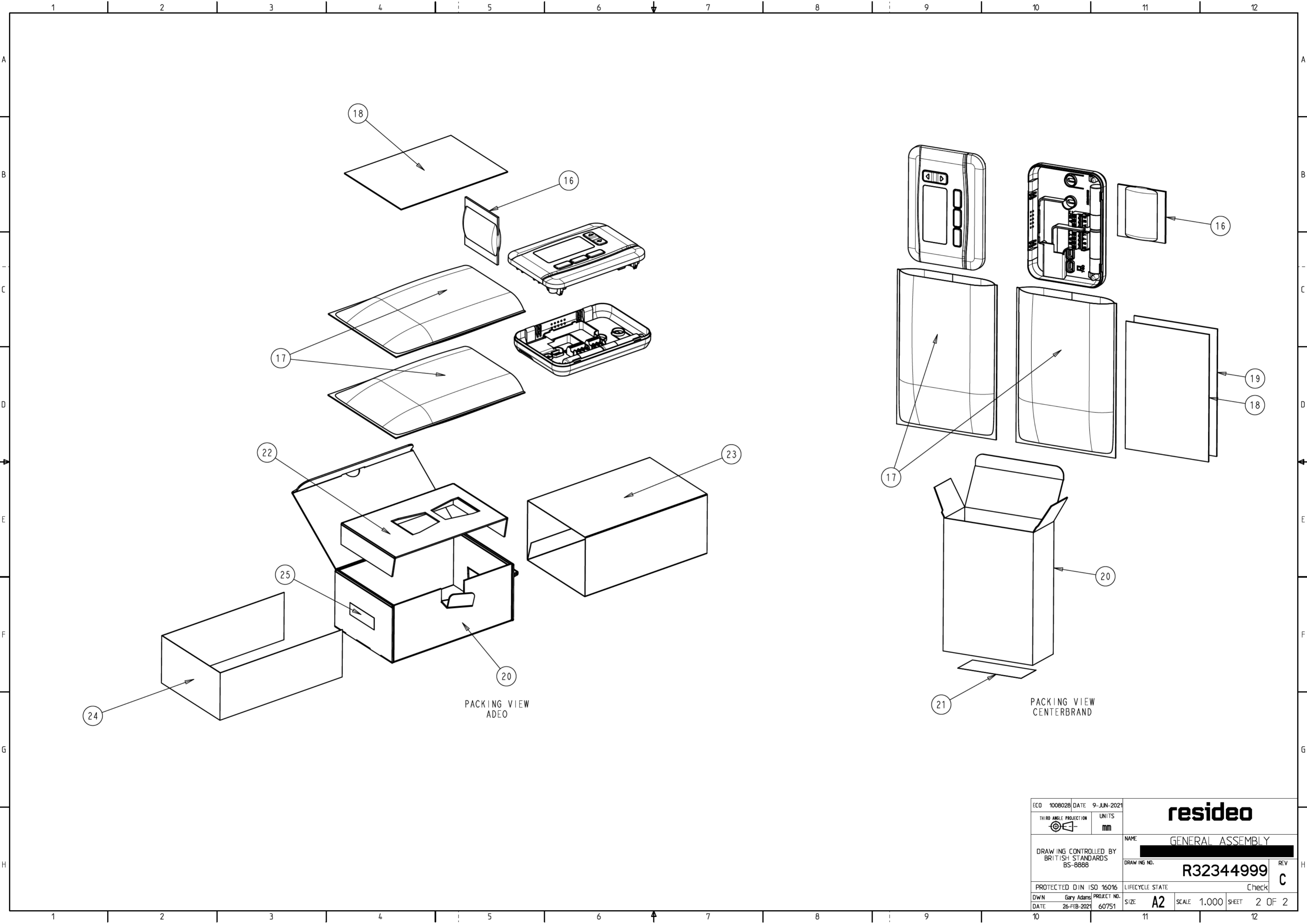


FIND	PART NUMBER	DESCRIPTION	QTY
		R32344999-	002
1	R32345006-001	PRINTED COVER	1
2	R32345005-001	KEYPAD	1
3	32320726-001	BATTERY CONTACT NEGATIVE	1
4	32320727-001	BATTERY CONTACT POSITIVE	1
5	32336059-002	LCD MODULE	1
6	32335401-002	PCB ASSEMBLY	1
	32335401-004		1
7		SOFTWARE HEX FILE	REF
	32340891-027		REF
8	32337649-001	INSULATOR	1
9	32342374-001	OS DATE CODE LABEL	0
	R32348658-004	PRODUCT TRACEABILITY LABEL	1
10	42011072-001	BLANK LABEL	1
11	R32345748-001	PRINTED BATTERY COVER	0
	R32345748-002		1
12	R32345002-001	BASE WALLPLATE	1
13	42010926-003	TERMINAL BLOCK	1
	42010926-004		1
14	R32345008-001	WIRING LABEL	0
	R32345008-002		1
15	42005514-001	BATTERY	0
16	42000684-079	BAG ASSEMBLY	1
17	42010931-001	FOAM BAG	2
18	R32345746-001	INSTALLATION QUICK START GUIDE	0
	R32348540-001	INSTALLATION INST. ADEO	1
19	R32345747-001	USER QUICK START GUIDE	0
20	42010930-001	CARTON	0
	R32347950-001		1
21	50030324-007	CARTON LABEL	0
22	R32348544-001	CARTON INSERT	1
23	R32347952-016	SLEEVE	1
24	32330821-001	LABEL-ADHESIVE	1
25	R32348659-004	PACKAGING TRACEABILITY LABEL	1

TH40DP6 ADEO



WEIGHT	VOLUME	ECO 1008028	DATE 9-JUN-2021	resideo
-	-	THIRD ANGLE PROJECTION	UNITS mm	
MATERIAL		DIMENSIONS & TOLERANCES PER BRITISH STANDARDS BS-8888		NAME GENERAL ASSEMBLY
CURRENT ECO CHANGE INFO		NEW PART NUMBER FOR FN 6 AND 7 FOR TH40DP6.		DRAWING NO. R32344999
		PROTECTED DIN ISO 16016	LIFECYCLE STATE Check	REV C
		DWN Gary Adams	PROJECT NO. 58893	SIZE A2
		DATE 12-Jun-2019		SCALE 1:1
				SHEET 1 OF 2



PACKING VIEW
ADEO

PACKING VIEW
CENTERBRAND

ECO 1008028	DATE 9-JUN-2021	resideo	
THIRD ANGLE PROJECTION	UNITS mm		
DRAWING CONTROLLED BY BRITISH STANDARDS BS-8888		NAME GENERAL ASSEMBLY	REV C
DRAWING NO. R32344999		Check	
PROTECTED DIN ISO 16016	LIFECYCLE STATE	Check	
DWN Gary Adams	PROJECT NO. 60751	SIZE A2	SCALE 1.000 SHEET 2 OF 2
DATE 26-FEB-2021			