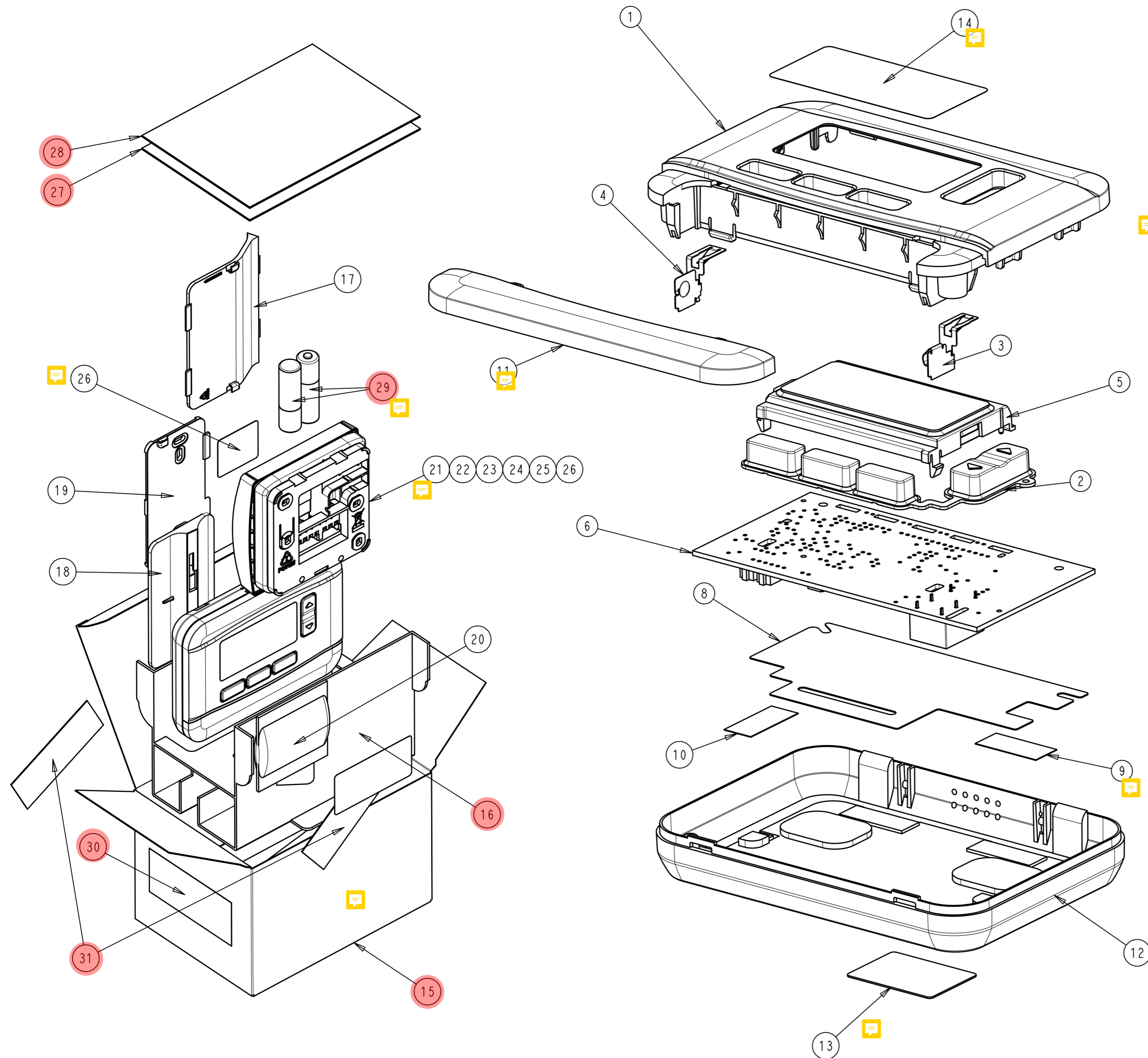


Adeo model: TH50DP6RF



FIND	PART NUMBER	DESCRIPTION	QTY
			001
1	R32345006-001	PRINTED COVER	1
2	R32345005-001	KEYPAD	1
3	32320726-001	BATTERY CONTACT NEGATIVE	1
4	32320727-001	BATTERY CONTACT POSITIVE	1
5	32336059-002	LCD MODULE	1
6	32335401-001	PCB ASSEMBLY	1
7	32340891-012	SOFTWARE HEX FILE	REF
8	32337649-001	INSULATOR	1
9	32342374-001	OS/DATE CODE LABEL	1
10	42011072-001	BLANK LABEL	1
11	R32345748-001	PRINTED BATTERY COVER	1
12	R32345003-001	BASE WALLPLATE	1
13	32342565-005	PRODUCT LABEL	1
14	R32346677-001	LCD INSTRUCTION (NO SETUP) LABEL	1
15	50038018-001	CARTON	1
16	R32345750-001	INSERT CARTON	1
17	32336098-002	TABLESTAND BACKPLATE (OFF WHITE)	1
18	32336099-002	TABLESTAND BASE (OFF WHITE)	1
19	32337607-002	WALLPLATE HOLDER (OFF WHITE)	1
20	42000684-079	BAG ASSEMBLY	1
21	50034501-012	BDR91 SUB-ASSEMBLY	1
22	50034505-001	INSULATOR COVER	1
23	42010926-003	TERMINAL BLOCK 3 WAY	2
24	50034506-012	PRINTED WALLPLATE/SPRING ASSY	1
25	50034508-014	OS/DATE CODE LABEL	1
26	R32346678-001	BDR91 INSTRUCTION (NO SETUP) LABEL	1
27	R32345746-002	INSTALLATION QUICK START GUIDE	1
28	R32345747-001	USER QUICK START GUIDE	1
29	42005514-001	BATTERY	2
30	50030324-000	CARTON LABEL	1
31	50066724-001	CLEAR INSTRUCTION LABEL	2

24TH SEPTEMBER 2020
 MARKUP BOMS APPROVED
 BY KEITH AITKEN
 R&D SITE LEADER

Keith Aitken