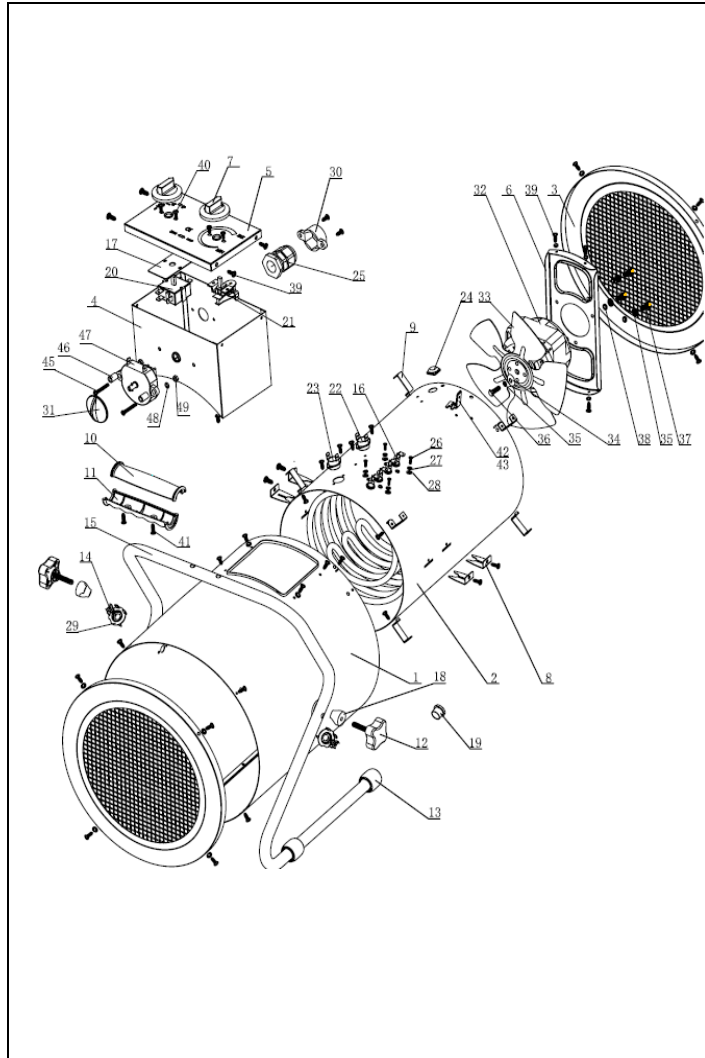


Exploded View

Supplier name:	Ningbo Joyee Electrical Appliances Co., Ltd.
Supplier reference:	IFH04-33A-N (03)
EAN :	
Version no.:	1
Prepared by:	Yu Huiming
Approved by:	Shen Ruhao
Date:	2024.02.23



Part no.	Component	Specification	Qty
1	Outer plate	Cold rolled sheet	1
2	Inner plate	Cold rolled sheet	1
3	Grid	Cold rolled sheet	2
4	Control panel	Cold rolled sheet	1
5	Top cover	Cold rolled sheet	1
6	Motor plate	Cold rolled sheet	1
7	Knob	PP	2
8	Plate	Cold rolled sheet	4
9	Connector	Cold rolled sheet	8
10	Top cover for handle	PP	1
11	Bottom cover for handle	PP	1
12	Knob for steel base	PP	2
13	Feet	PVC	4
14	Nut	M6	2
15	Steel base	Iron	1
16	Heating element	220-240V 1650W	2
17	Sheath	PP	1
18	Sheath for steel base	PC	2
19	Cover for steel base	PVC	2
20	Power switch	250V 16A	1
21	Adjustable thermostat	250V 16A Tf85	1
22	Thermal cut-out	250V 16A Tf50	1
23	Thermal cut-out	250V 16A Tf75	1
24	Cord sheath	PVC	1
25	Cord grand	PG11	1
26	Screw	M5x10	4
27	Spring washer	Φ5	4
28	Washer	Φ5	4
29	Plate	Cold rolled sheet	2
30	Fixer for cord grand	PC	1
31	Knob for count-down timer	PP	1
32	Motor	220-240V 50Hz IP44	1
33	Fan blade	Aluminum	1
34	Plate	Cold rolled sheet	1
35	Spring washer	Φ4	4
36	Screw	M4x12	1
37	Screw	M4x10	5
38	Tooth washer	Φ4	3
39	Screw	ST4x10	43
40	Screw	ST3x12	2
41	Screw	ST3X10	2
42	Plate	Iron	1
43	Rivet	Φ3.2	1
44	Supply cord	H07RN-F 3G1.5mm²	1
45	Screw	M4x25	2
46	Tube	PP	2
47	Count-down timer	250V 16A	1
48	Washer	Φ4	2
49	Nut	M4	2