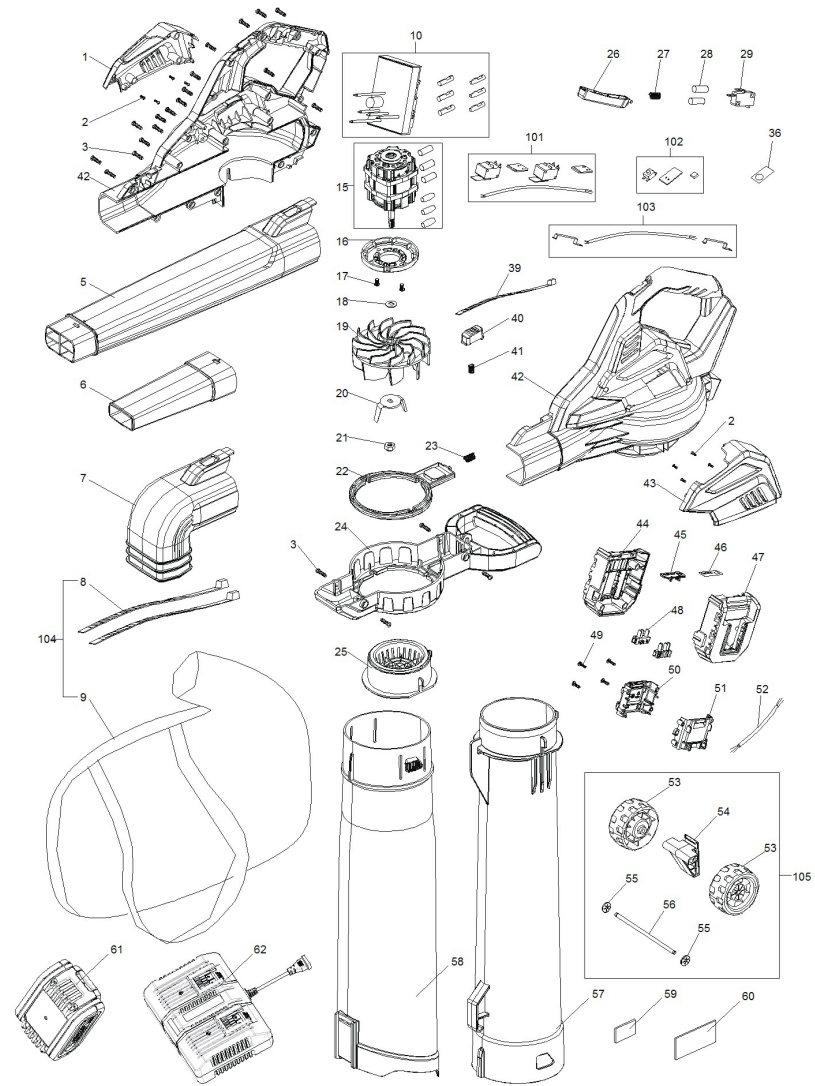



WG583E




WG583E

	Part No	Description	Qty
1	60061414	Right Trim Cover	1
2	60061415	Cross Recessed Pan Head Tapping Screw	8
3	60061416	Cross Recessed Pan Head Tapping Screw	24
5	60061417	Blow Tube	1
6	60061418	Accelerating Tube	1
7	60061419	Chip Pipe	1
8	60061420	Ties	2
9	60061421	Leaf Collecting Bag	1
10	60061422	Control Panel	1
15	60061423	Motor	1
16	60061424	Motor End Plate	1
17	60061425	Cross Recessed Pan Head Screw	2
18	60061426	Washer	1
19	60061427	Fan	1
20	60061428	Blade	1
21	60061429	Left Hand Nut	1
22	60061430	Lock Ring	1
23	60061431	Locking Ring Spring	1
24	60061432	Sub-Handle	1
25	60061433	Fan-Shroud	1

WG583E

	Part No	Description	Qty
26	60061434	Switch-Trigger	1
27	60061435	Trigger Spring	1
28	60061436	Heat Shrinkable Tube	2
29	60061437	Switch	1
36	60061438	Shift Switch Label	1
39	60061439	Ties	1
40	60061440	Locking Button	1
41	60061441	Locking Button Spring	1
42	60061442	Left/Right Housing	1
43	60061443	Left Trim Cover	1
44	60061444	Right Shell Of Interface	1
45	60061445	Electric Quantity Display Board	1
46	60061446	Electric Quantity Display Label	1
47	60061447	Left Shell Of Interface	1
48	60061448	Electrode Holder	2
49	60061449	Cross Recessed Pan Head Tapping Screw	4
50	60061450	Upper Bracket	1
51	60061451	Lower Bracket	1
52	60061452	Electrode Holder Wire	1
53	60061453	Roller	2

WG583E

	Part No	Description	Qty
54	60061454	Roller Bracket	1
55	60061455	Ring	2
56	60061456	Roller Shaft	1
57	60061457	Upper Exhausting Pipe	1
58	60061458	Lower Exhausting Pipe	1
59	60061459	Right Shock Pad	1
60	60061460	Left Shock Pad	1
61	50028269	"Battery Pack(Li-ion,2Ah,20V)WA3553"	2
62	50036452	"Charger(100-240V,20V) WA3883"	1
101	60061461	Safety Switch Set	2
102	60061462	Shift Switch Set	1
103	60061463	Conducting Strip and Wire	1
104	60061786	Collecting Bag(with 2pc Tie)	1
105	60061787	Roller Guard Assembly	1