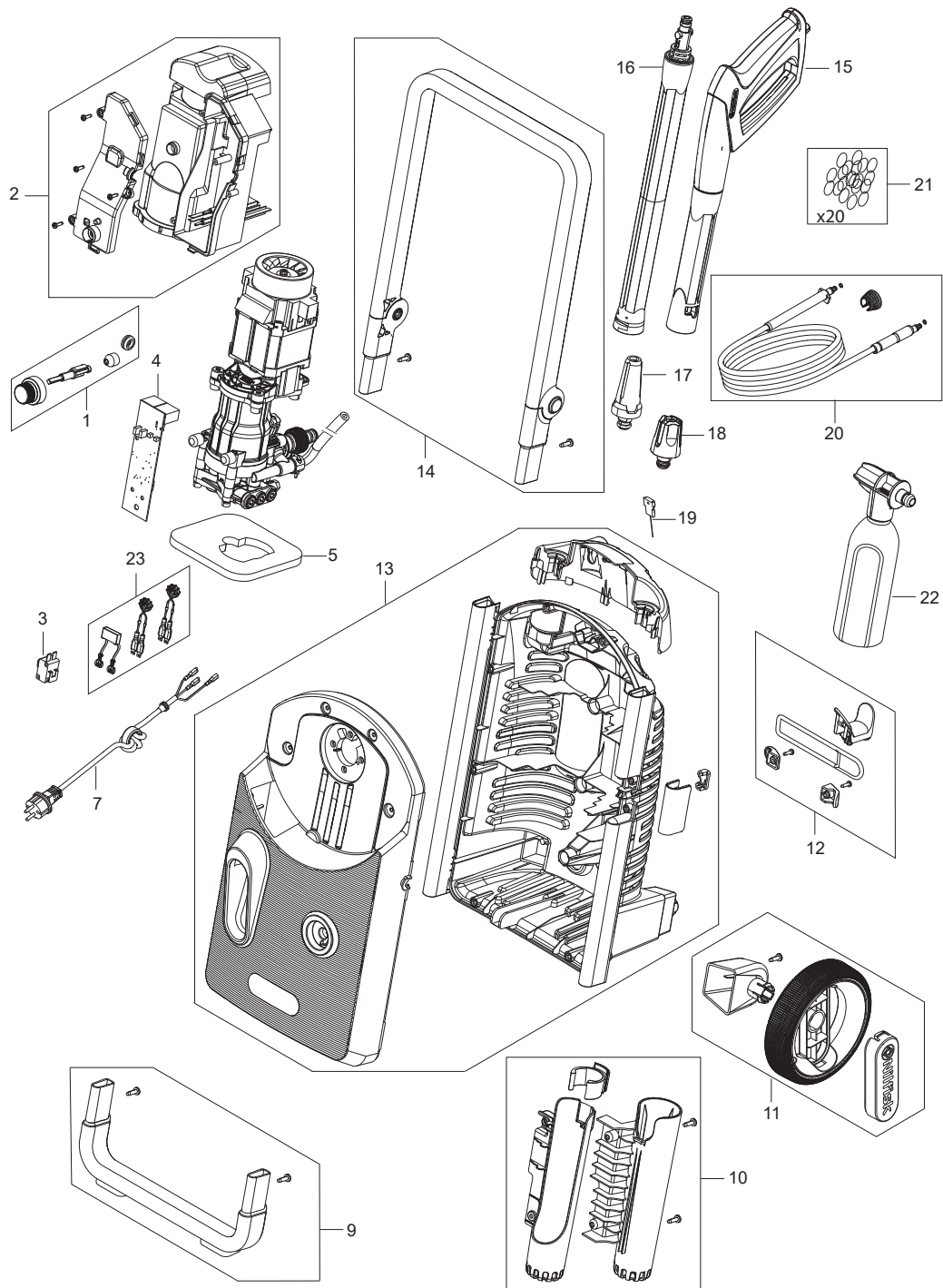


# PARTS LIST

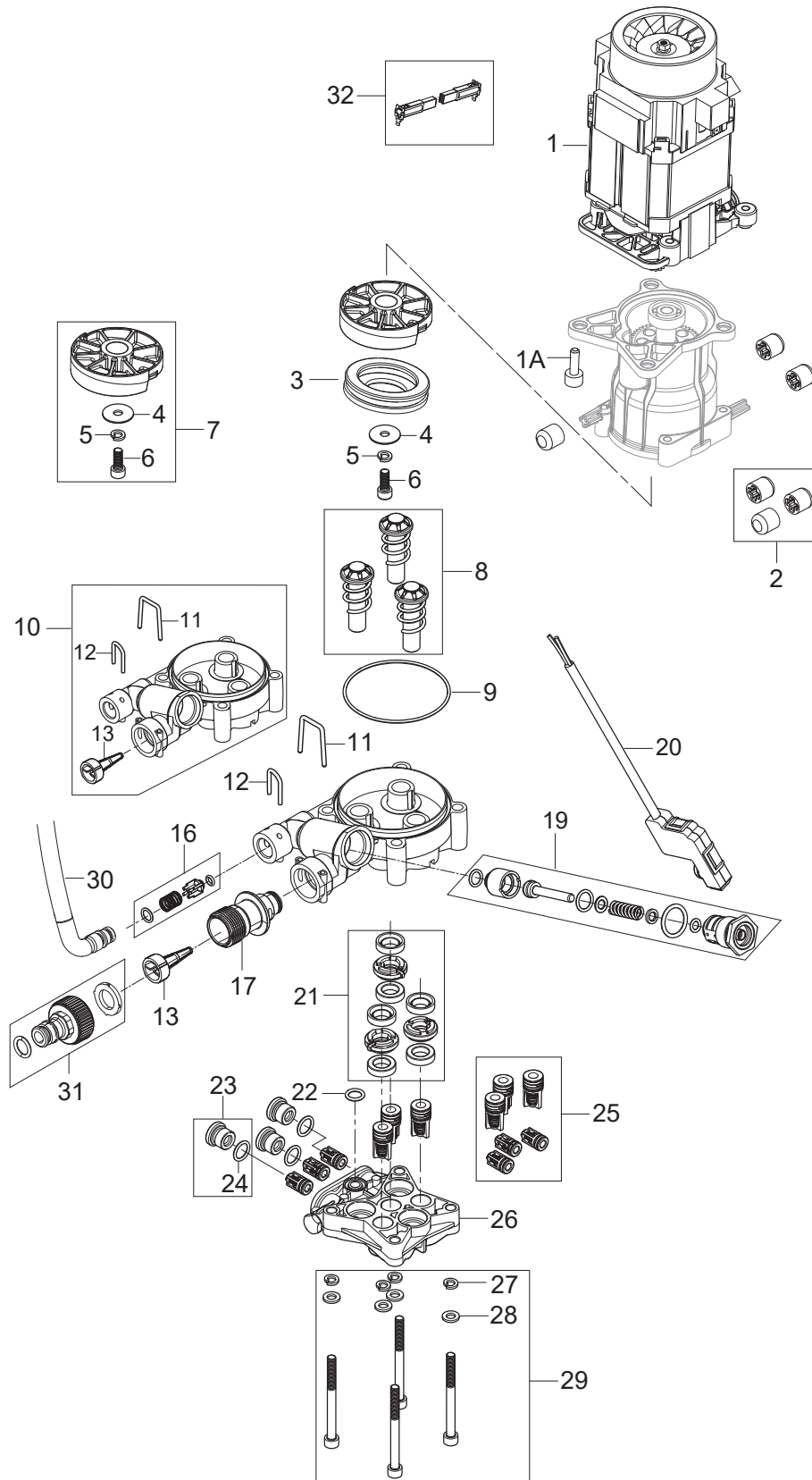
# TABLE OF CONTENTS

---

Overview .....	1
Motor pump .....	3
Hose reel .....	5
Default accessories .....	7



No.	Part No.	Qty.	Description	Part Note
1	128501600	1	SWITCH KNOB CORE 150	
2	128501601	1	MOTOR COVER - SWITCH COVER 150	
3	128501602	1	MAIN SWITCH	
4	128501603	1	PCB SCR KIT	
5	128501604	1	FOAM - MOTOR COVER CORE 150	
7	128501605	1	POVER CABLE CORE 150 EU W. MAGNETIC RIN	
7	128501606	1	POVER CABLE CORE 150 UK W. MAGNETIC RIN	
9	128501607	1	FOOT SUPPORT	
10	128501608	1	GUN AND LANCE HOLDER COMPLETE CORE 150	
11	128501609	2	WHEEL WITH AXLE CORE 150	
12	128501610	1	CORE CABLE HOOKS CORE 150	
13	128501611	1	CABINET PARTS CORE 150	
14	128501612	1	HANDLE COMPLETE CORE 150	
15	126481132	1	G3 GUN WITH INTERMEDIATE TUBE	
16	126481134	1	G3 LANCE	
17	128501153	1	C&C ROUGH NOZZLE (POWERSPEED)	
18	128500076	1	C&C GENTLE NOZZLE (TORNADO)	
19	6520844	1	CLEANING TOOL BLACK	
20	128501425	1	ULTRA FLEX HOSE 11 5 10M WITH HOSE STOP	
21	128501616	1	BAG WITH 20 O-RINGS	
22	128501617	1	FOAM SPRAYER COMPLETE	
23	128501618	1	EMC COIL 2PCS - CAPACITOR	
NS	128501482	1	10 PCS 4C BOX CORE 150 POWER CONTROL	



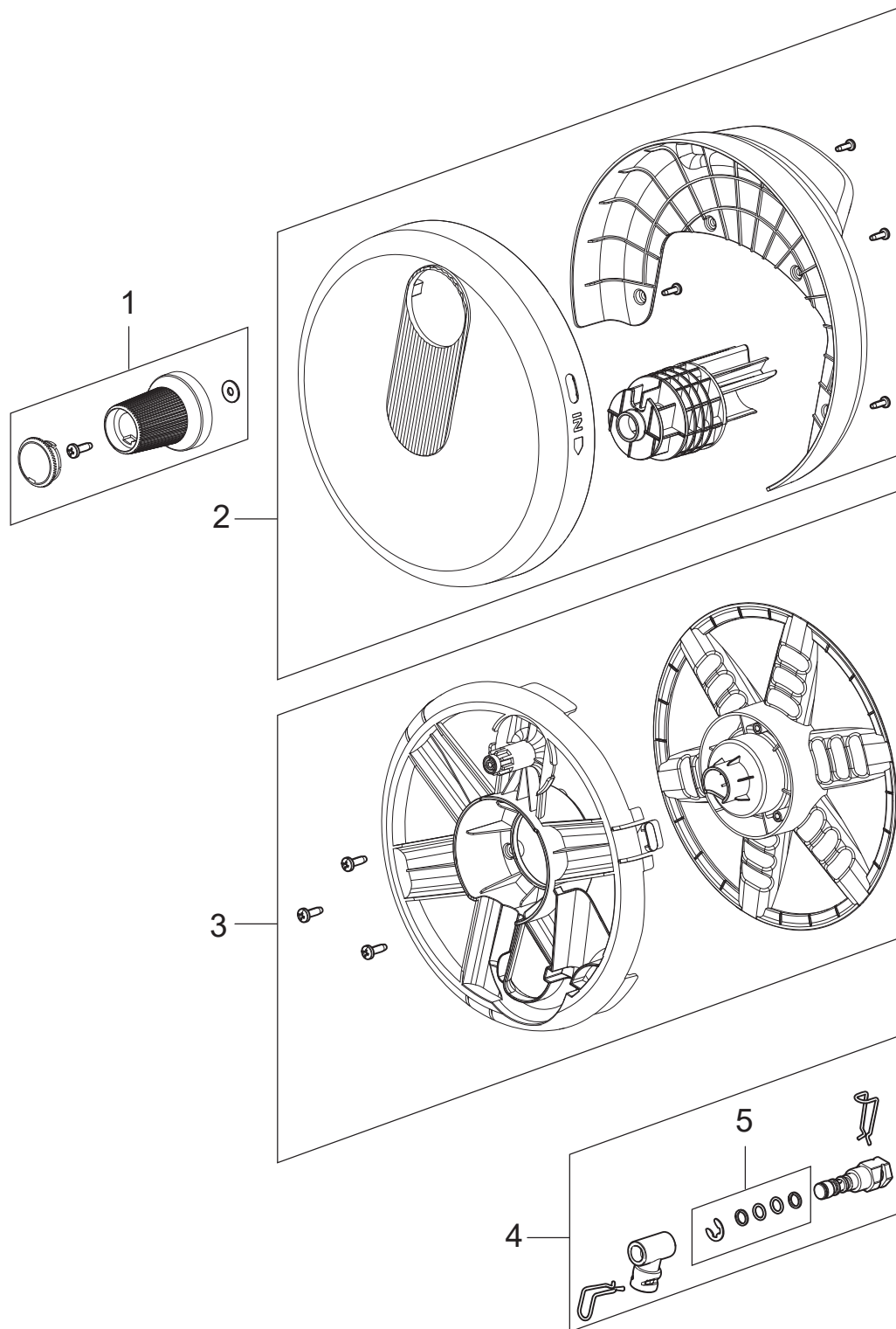
# MOTOR PUMP

CORE 150

2021.10.11

2021.11.03

No.	Part No.	Qty.	Description	Part Note
1	128501620	1	U-MOTOR 2.3KW	
1A		4	Bolt M6X20	
2	128501621	1	SHOCK PAD	
3	128500605	1	THRUST BALL BEARING	
4	127130066	1	WASHER D22XD6.4X1.5	
5	127500050	1	SPRING WASHER	
6	128500608	1	SCREW M6X16 10.9 FZB ISO4762	
7	128501622	1	WOBBLE DISC KIT 7 DEG	
8	128500616	1	PISTON COMPLETE KIT 3PCS	
9	127440078	1	O-RING 72X2 SH90	
10	128501631	1	CYLINDERBLOCK KIT	
11	128500675	1	U-PIN INLET	
12	128500620	1	U-PIN OUTLET	
13	128500195	1	INLET FILTER MESH SP	
16	128342004	1	NON RETURN VALVE KIT OF NA1	
17	128500515	1	WATER INLET NA01	
19	128500625	1	START/STOP VALVE D3.2	
20	128501632	1	MICROSWITCH BOX COMPLETE	
21	128500993	1	THRUST COLLAR WATER KIT	
22	128500630	1	O-RING 10.0X2.2 NBR 90	
23	128500851	3	PRESSURE VALVE PLUG KIT	
24	127440085	3	O-RING 11.7X2.0 SH90	
25	128500855	1	INLET OUTLET VALVE 6PCS	
26	128501634	1	CYLINDER HEAD WITH PLUG	
27	127500029	4	WASHER	
28	127500050	4	SPRING WASHER	
29	128501635	1	SCREW M6X70 DIN 912 4PCS	
30	128501623	1	INTERNAL HP HOSE KIT	
31	128501624	1	WATER INLET MALE COUPLING	
32	128501625	1	CARBON BRUSH KIT 2 PCS HEIGHT 11.4MM	



**HOSE REEL**

CORE 150

2021.08.25

2021.11.03

---

No.	Part No.	Qty.	Description	Part Note
1	128501626	1	HANDLE GRIP	
2	128501627	1	HOSE REEL COVERS AND AXLE	
3	128501628	1	HOSE REEL SUPPORT	
4	128501629	1	ADAPTER SYSTEM	
5	128501630	1	GASKETS FOR ADAPTER SYSTEM	



# Default accessories

# DEFAULT ACCESSORIES

CORE 150

2021.11.11

2021.11.11

No.	Part No.	Qty.	Description	Part Note
			Accessories PAD	
1	128500702	1	NILFISK PATIO ACCESSORY	
2	126411395	1	ROTARY BRUSH	
3	128500461	1	DRAIN AND TUBE 8M	
			Accessories Car wash Luxury	
1	128500685	1	FIXED BRUSH SHORT NILFISK SP	[1]
2	6411136	1	C&C CAR NOZZLE	
3	6411135	1	UNDER CARRIAGE SPRAY NOZZLE	
4	128501205	1	MIXER BOTTLE WITHOUT CAP	
5	128500938	1	NILFISK C&C SUPER FOAM SPRAYER	
6	128501316	1	NILFISK TOWEL	

**Part Notes:**

[1] - Only A variants

