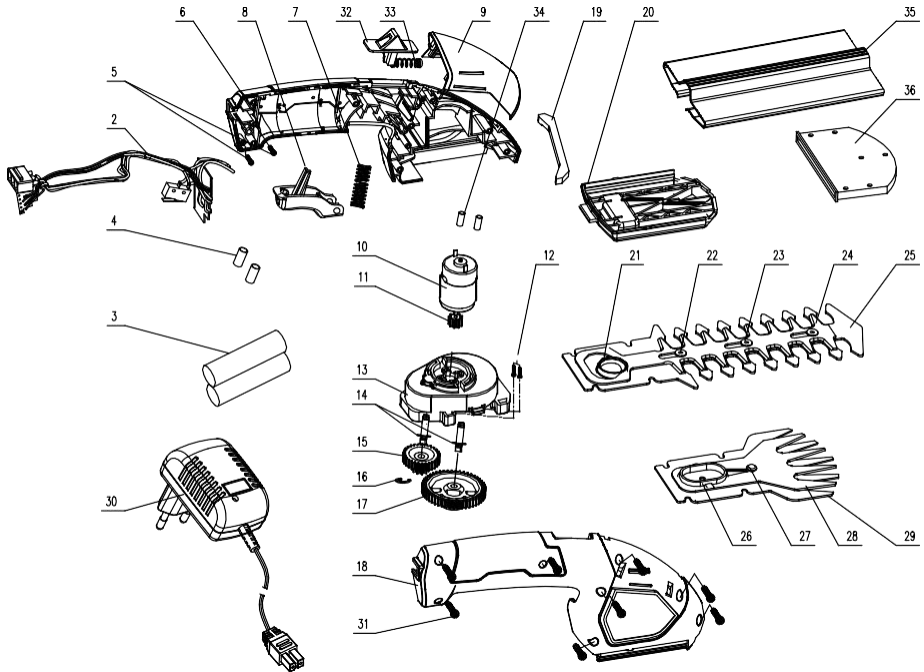


EXPLODED VIEW



POS	DESCRIPTION	NUM	AVAILABILITY YEARS OF SPARE PARTS
2	Electronic components	1	5
3	Battery assembly	1	5
4	Heatshrinkable tube	0,02	5
5	Self tapping screw	2	5
6	Left housing	1	5
7	Handle triggerspring	1	5
8	Switch trigger 2	1	5
9	Decorative cover	1	5
10	Motor	1	5
11	Small gear	1	5
12	Screw	2	5

POS	DESCRIPTION	NUM	AVAILABILITY YEARS OF SPARE PARTS
13	Gear box	1	5
14	Grinding pad	2	5
15	Duplicate gear	1	5
16	E retaining ring	1	5
17	Big gear	1	5
18	Right housing	1	5
19	Sponge mats	1	5
20	Base	1	5
21	Blade Protective Sleeve	1	5
22	Rivet	3	5
23	Blade pin	3	5
24	Upper blade	1	5
25	Lower blade	1	5
26	Scissor sheath	1	5
27	Scissor fixing pin	1	5
28	Upper shear blade	1	5
29	Lower shear blade	1	5
30	Charger	1	5
31	Socket cover	1	5
32	Lock push button	2	5
33	Lock push button spring	2	5
34	Heatshrinkable tube	0.06	5
35	Knife set	1	5
36	Knife set	1	5