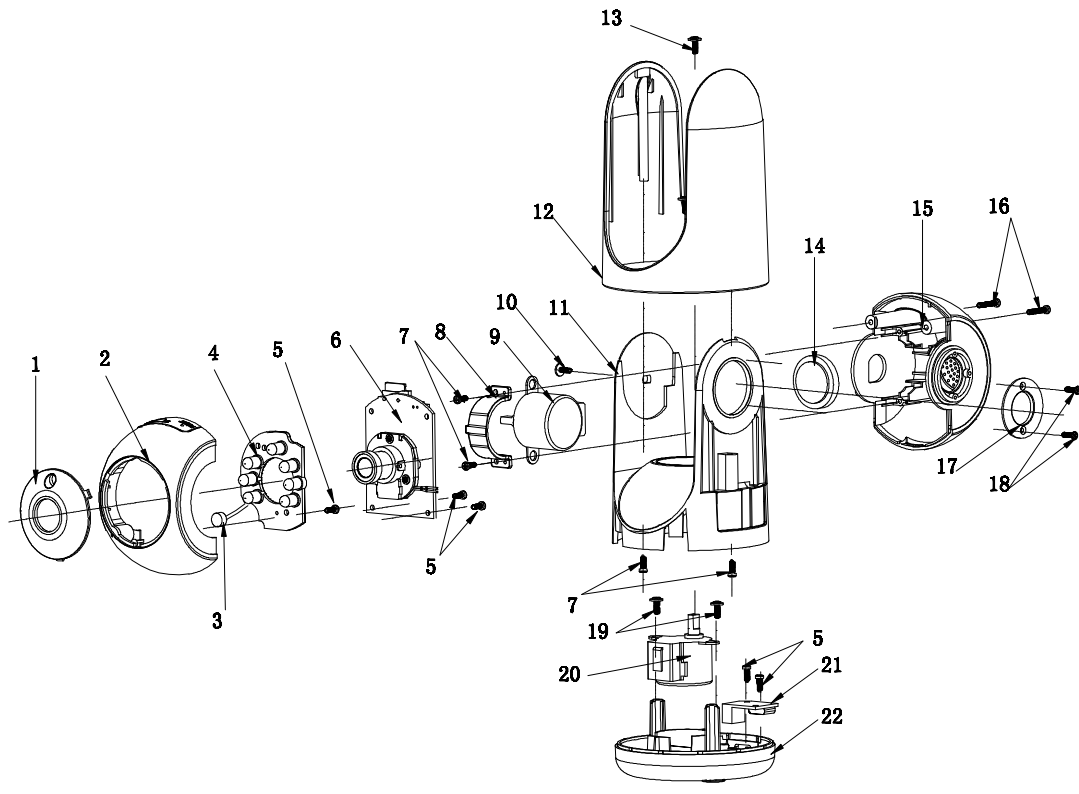


3D FILE NAME
3D图档名

Sym	Date	DCN No.	Description	Modify	Appr.
△					
△					



22	Base	ABS injection molding, white, RoHS	1	PCS
21	USB board	USB slot	1	PCS
20	Motor	5V motor	1	PCS
19	Screw	Truss head, RoHS (Salt spray test for 12 hours)	2	PCS
18	Screw	Nickel plated silver color, harden, RoHS (Salt spray test for 12 hours)	2	PCS
17	Rear housing plate	IPC167 Rear housing plate,ABS injection molding, white, RoHS	1	PCS
16	Screw	Nickel plated silver color, harden, RoHS (Salt spray test for 12 hours)	2	PCS
15	Rear housing	IPC167 Rear housing,ABS injection molding, white, RoHS	1	PCS
14	Speaker	Model#GH23SJ-8R1W, RoHS	1	PCS
13	Screw	Nickel plated silver color, harden, RoHS (Salt spray test for 12 hours)	2	PCS
12	Holder cover	IPC167 Holder cover, ABS injection molding, white, RoHS	1	PCS
11	Holder	IPC167 holder, ABS injection molding, white, RoHS	1	PCS
10	Screw	Nickel plated silver color, harden, RoHS (Salt spray test for 12 hours)	2	PCS
9	Motor	5V motor	1	PCS
8	The motor holder	IPC167 motor holder, ABS injection molding, white, RoHS	1	PCS
7	Screw	Nickel plated silver color, harden, RoHS (Salt spray test for 12 hours)	4	PCS
6	Mainboard	IPC167 main module ROHS	1	PCS
5	Screw	Nickel plated silver color, harden, RoHS (Salt spray test for 12 hours)	5	PCS
4	Light panel	IPC147 LED panel, blue light+6pcs IR LED, RoHS	1	PCS
3	Microphone	GH4530CH-1. 25-2P-45mm, -47DB, RoHS	1	PCS
2	Front shell	IPC167 Front shell,ABS injection molding, white, RoHS	1	PCS
1	Infrared window	IPC167 Infrared window, PC injection molding, black, RoHS	1	PCS
No.	NAME	SPECIFICATIONS	USAGE	UNIT

THIS DRAWING USED FOR 本图适用于		GENERAL TOLERANCE 基本公差		CUSTOMER 客户		FINISHING & TREATMENT 表面处理要求		QTY 用量		PART NO. 料号		MODEL NO. 型号																					
		unless otherwise specified:未注公差, 以下表为准。 1) Linear 线性公差: <table border="1"> <thead> <tr> <th>尺寸等级</th> <th>A</th> <th>B</th> <th>C</th> <th>适用范围</th> </tr> </thead> <tbody> <tr> <td>L<10</td> <td>0.05</td> <td>0.05</td> <td>0.10</td> <td></td> </tr> <tr> <td>10<L<20</td> <td>0.05</td> <td>0.10</td> <td>0.20</td> <td>B</td> </tr> <tr> <td>L>20</td> <td>0.10</td> <td>0.20</td> <td>0.30</td> <td></td> </tr> </tbody> </table>		尺寸等级	A	B	C	适用范围	L<10	0.05	0.05	0.10		10<L<20	0.05	0.10	0.20	B	L>20	0.10	0.20	0.30		APPROVED 批准		CHECKED 审核		DESIGNED 制作		FILE NAME 文件名		UNIT 单位	
尺寸等级	A	B	C	适用范围																													
L<10	0.05	0.05	0.10																														
10<L<20	0.05	0.10	0.20	B																													
L>20	0.10	0.20	0.30																														
		2) Angular 角度公差<±1.0°。 DON'T COPY WITHOUT ALLOWED BY R&D OF SEUO YING. 除非经研发部允许, 否则禁止复制。 3RD. ANGLE'S 第三视角投影法		MATERIAL 材质		TITLE 图档名		DRAWING NO. 图号		Rev. 版本		mm 毫米																					
				APPROVED 批准		CHECKED 审核		DESIGNED 制作		SCALE 比例		SHEET OF 页共 页																					