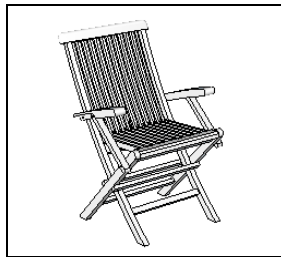


ASINDO - PRODUCT FILE

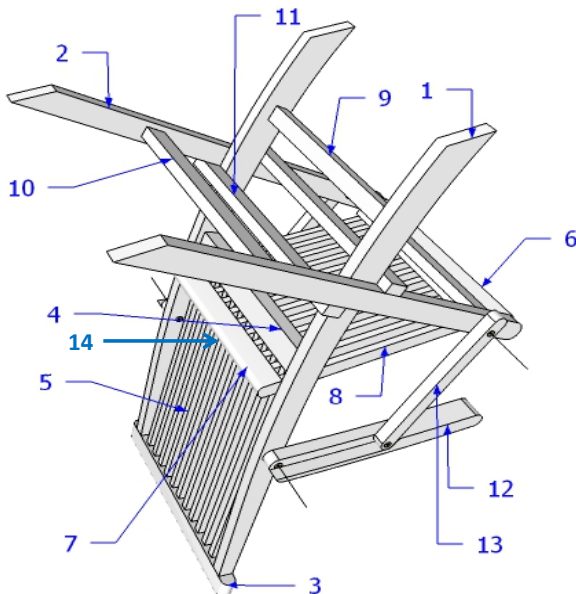
ASINDO REFERENCE	RANGE	PRODUCT DESCRIPTION
3113-002-ADE	ANTEA	DINING ARMCHAIR



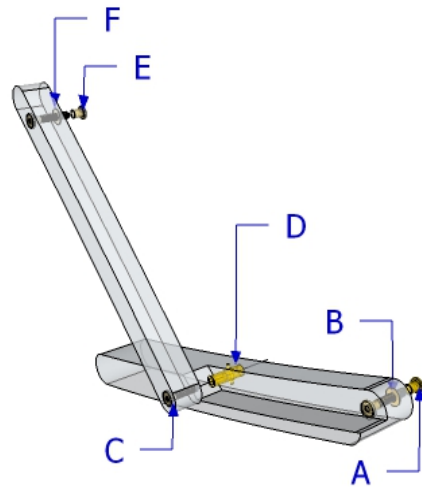
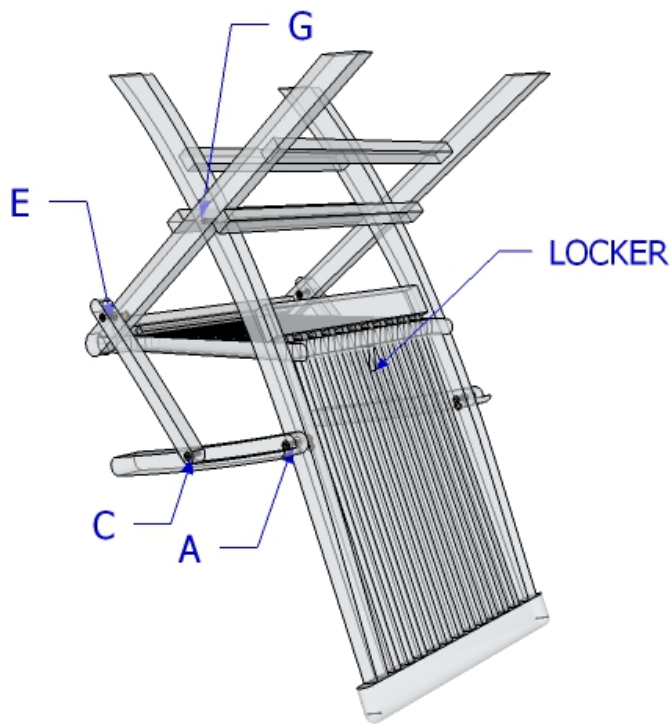
PRODUCT				
Width (cm)	Length (cm)	Height (cm)	H.seat (cm)	H.arms (cm)
53,0	61,0	88,0	46,0	64,0

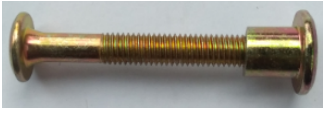


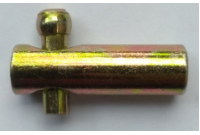


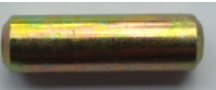
PACKAGING					
Type	Unit	Length (cm)	Width (cm)	Height (cm)	Vol. (m3)
Top/Bottom	2	115,0	52,0	23,0	0,138

REF.	DESIGNATION	QTY	LENGTH		WIDTH / L(MM)			THICK.	KET.	VOL.	NW	REMARKS
			JML	P(MM)	M	A	H					
1	front leg	2	1000		50	50	75	25	1000	0,0038	1937	
2	back leg	2	715		40		40	25	715	0,0014	739	
3	frame top back rest	1	480		50		50	25	480	0,0006	310	
4	frame bottom back rest	1	425		50		50	25	380 20*2+5	0,0005	274	
5	back rest slat	11	530	15		15	18		485 20*2+5	0,0016	813	
6	frame front seat	1	430		50		50	25	430	0,0005	278	
7	frame back seat	1	370		38		38	25	370	0,0004	182	
8	seat slat	12	385	25		25	15		345 20*2+5	0,0017	895	
9	sup. Front leg	1	425	28		28	18		380 20*2+5	0,0002	111	
10	sup back leg	2	475	28		28	18		430 20*2+5	0,0005	247	
11	leg cross bar	2	485	28		28	18		480	0,0005	253	
12	arm	2	385	50		50	30		385	0,0012	597	
13	sup arm rest	2	300	25	5	27,5	28		320	0,0005	239	Lenght modified 320 > 300
14	Locker	1	40	14		14	12		40	0,0000	3	added on 21 June 2021
										0,0133	7000	



SPARE PART DINING ARM CHAIR ANTEA



CODE	PICTURE	WEIGHT/G	SIZE/MM			QTY/P CS
			L	W	H	
A		29	46	6	6	2
B		0	20	20	1	2
C		14	30	6	6	2
D		28	30	10	10	2
E		29	46	6	6	2
F		0	20	20	1	2
G		24	30,5	8	8	2