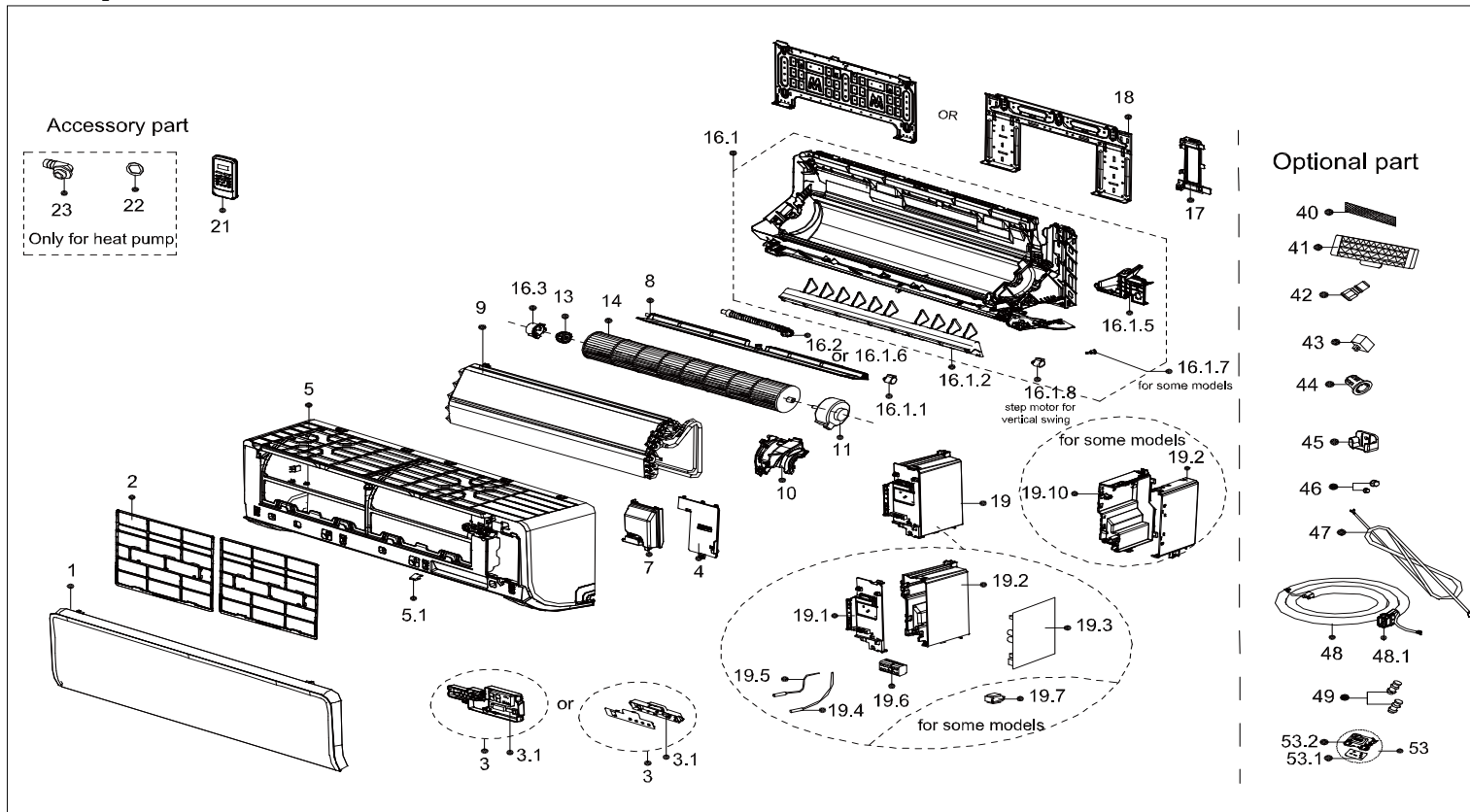


Exploded View SC 6026 / SC 6035 / SC 6126 / SC 6135



No.	Part Name	Quantity	EAN
2	Filter filter subassembly	2	8713508782355
11	Brushless DC Motor	1	8713508790350
19.3	Main control board subassembly	1.0	8713508790343
19.4	Room temperature sensor	1.0	8713508782300
19.5	Pipe Temperature Sensor	1.0	8713508784885
21	Remote controller	1	8713508790404
40	air fresh filter	1	8713508784908
40	Air freshening filter	1	8713508790367