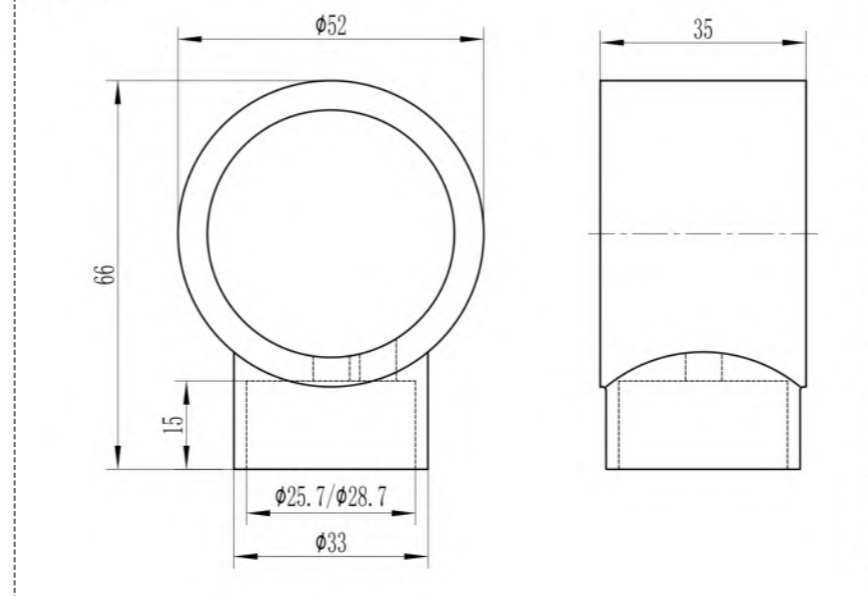
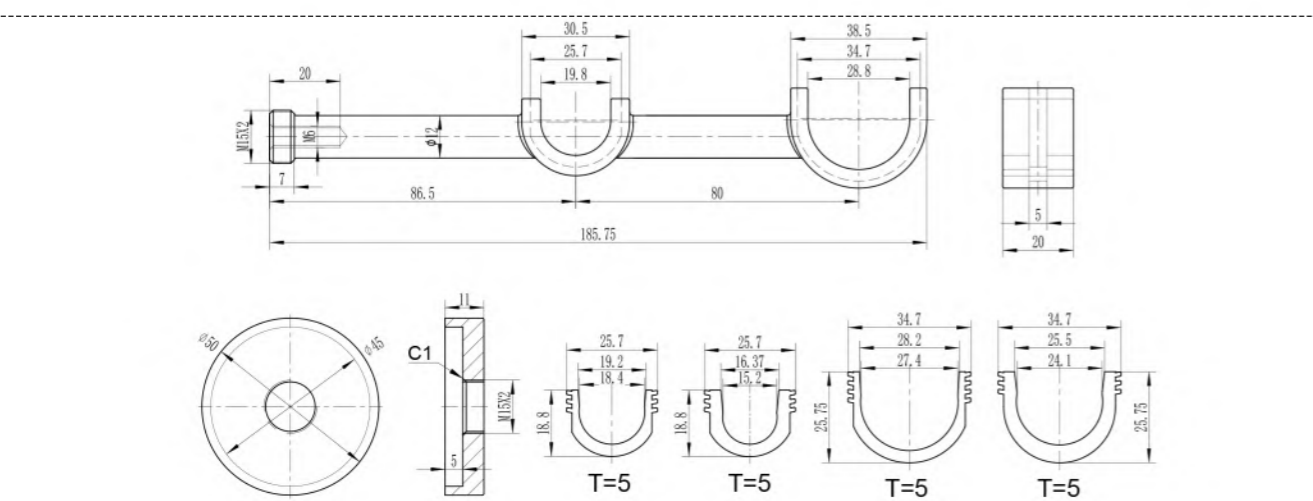
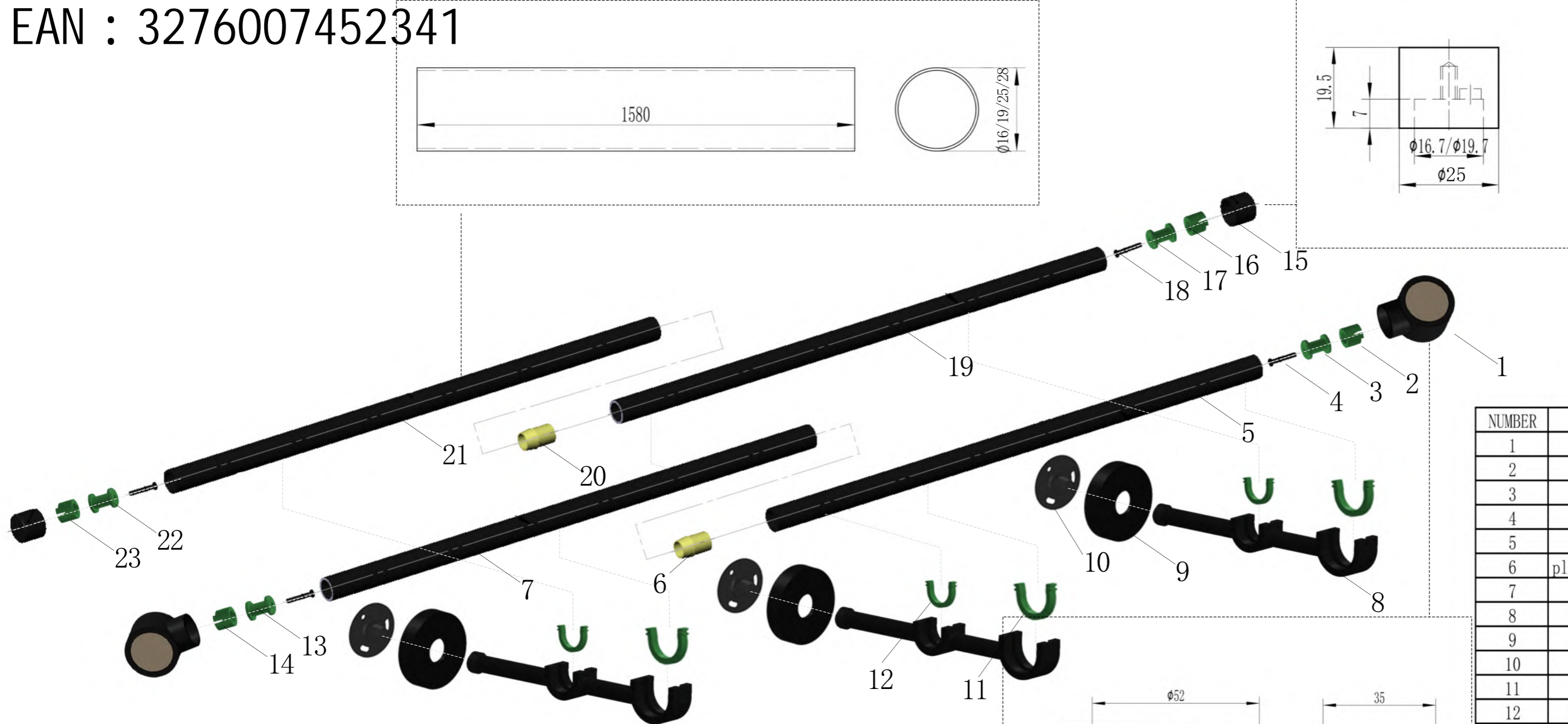


EAN : 3276007452341



NUMBER	NAME	SIZE	QUANTITY	MATERIAL
1	Finial 1	52X35X66	2	Al+Wood
2	plug A	27	1	TPU
3	plug A	27	1	ABS
4	bolt	M6	2	Fe
5	rod 1	28X1580	1	Fe
6	plastic cover 1	28X18	1	PP
7	rod 2	25X1580	1	Fe
8	Bracket 1	166X20	3	Al
9	Bracket 2	50X11	3	Al
10	Bracket 3	M6	3	Fe
11	Bracket 4	34X25X5	3	ABS
12	Bracket 5	25X18X5	3	ABS
13	plug B	24	1	ABS
14	plug B	24	1	TPU
15	Finial 2	25X19.5	2	Al
16	plug C	18	1	TPU
17	plug C	18	1	ABS
18	bolt	M4	2	Fe
19	rod 3	19X1580	1	Fe
20	plastic cover 2	19X18	1	PP
21	rod 4	16X1580	1	Fe
22	plug C	15	1	ABS
23	plug C	15	1	TPU