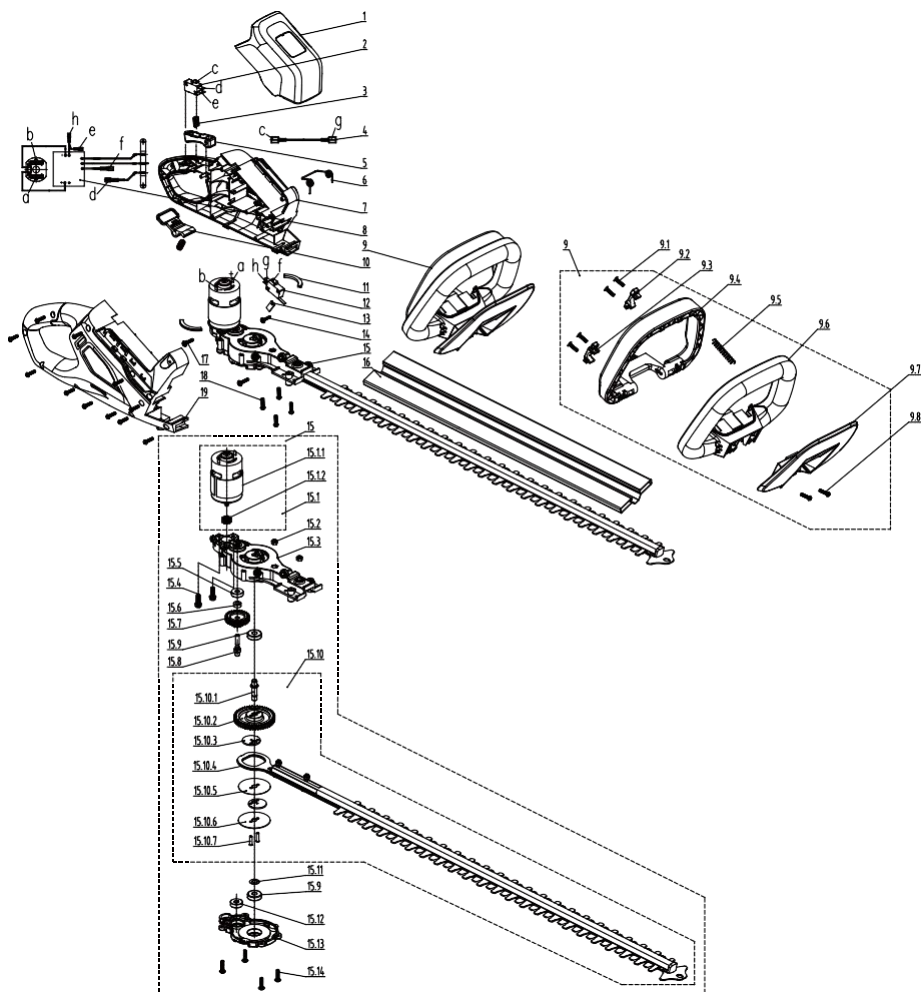


EAN code: 327600275216

Product designation: Battery Hedge Trimmer

Supplier ref: 40VHT2-60.1

8.3 EXPLODED VIEW



POS	DESCRIPTION	QTY
1	Decorative cover	1
2	On/off switch	1
3	Trigger spring	2
4	Connector wire	1
5	On/off switch trigger	1
6	Reset spring	1

EAN code: 3276007275216

Product designation: Battery Hedge Trimmer

Supplier ref: 40VHT2-60.1

POS	DESCRIPTION	QTY
7	Left housing	1
8	Electronic components	1
9	Handle components	1
9.1	Self tapping screw	4
9.2	Left pressure plate	1
9.3	Right pressure plate	1
9.4	Front handle	1
9.5	Button spring	1
9.6	Front handle frame	1
9.7	Protection guard	1
9.8	Self tapping screw	2
10	Unlock button	1
11	Motor vibration reduction pad	2
12	On/off switch for safety switch	1
13	Pressure plate	1
14	Self tapping screw	1
15	Motor gear box components	1
15.1	Small gear motor components	1
15.1.1	Motor components	1
15.1.2	Gear	1
15.2	Type 1 non-metallic insert hex lock nut	2
15.3	Gear box	1
15.4	Composite Groove Pan Head Three Combination Set Screw	2
15.5	Bearing	1
15.6	Axle sleeve	1
15.7	Gear	1
15.8	Output shaft	1
15.9	Bearing	2
15.10	Big gear output components	1
15.10.1	Output shaft	1
15.10.2	Gear	1
15.10.3	Eccentric gear	2
15.10.4	Blade components	1
15.10.5	Blade plate	1
15.10.6	Gasket	1

EAN code: 3276007275216

Product designation: Battery Hedge Trimmer

Supplier ref: 40VHT2-60.1

POS	DESCRIPTION	QTY
15.10.7	Pin	2
15.11	Antifriction mat	1
15.12	Bearing	1
15.13	Cover	1
15.14	Cross recessed pan head flange self tapping screw	4
16	Blade cover	1
17	Cross recessed pan head flange self tapping screw	2
18	Self tapping screw	15
19	Right housing	1

