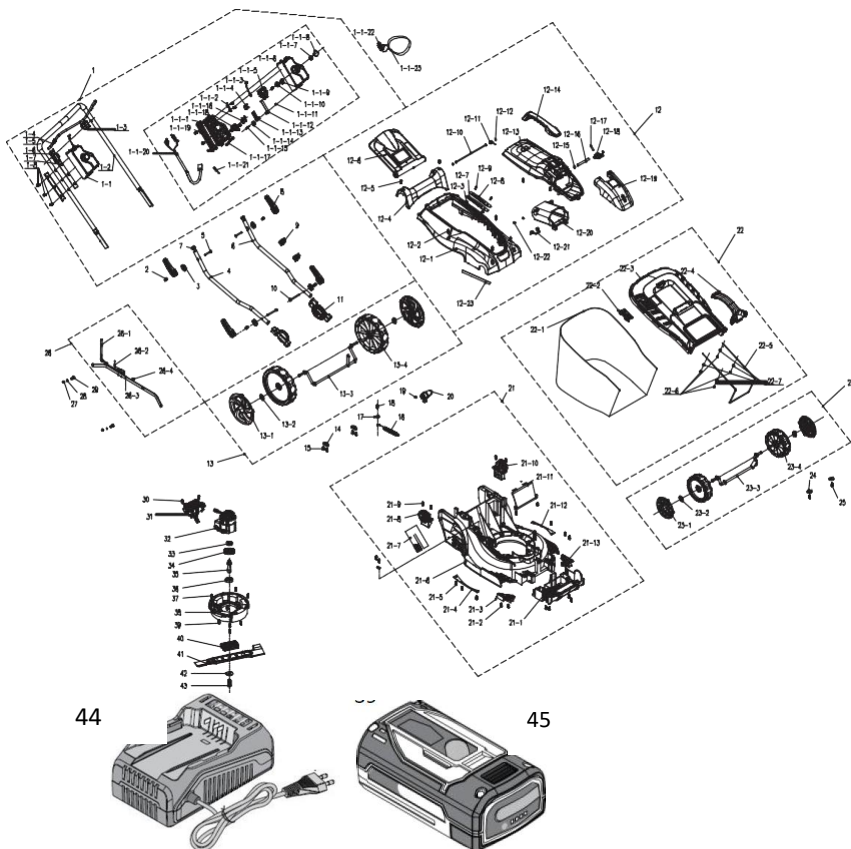


8.3 EXPLODED VIEW



POS	DESCRIPTION	NUM	Availability years of spare parts
1	Hand Assembly	1	5
1-1	Switch Box Component	1	5
1-1-1	Switch Box	1	5
1-1-2	Fixing Plate	1	5
1-1-3	Zip Components	1	5
1-1-4	Trigger button	1	5
1-1-5	Switch	1	5
1-1-6	Switch Box	1	5
1-1-7	Button Spring	1	5
1-1-8	Button	1	5
1-1-9	Sealing Ring	1	5
1-1-10	Floor	1	5

POS	DESCRIPTION	NUM	Availability years of spare parts
1-1-11	Nut	1	5
1-1-12	Hook Plate	1	5
1-1-13	Guide Plate	1	5
1-1-14	Twisted Spring	1	5
1-1-15	Machine Screw	1	5
1-1-16	Key Contact	2	5
1-1-17	Cable Clamp	1	5
1-1-18	Holder	1	5
1-1-19	Rear Fixed Seat	1	5
1-1-20	Cable	1	5
1-1-21	Double Terminal Cable	1	5
1-1-22	Key Assembly	1	5
1-1-23	Key Straps	1	5
1-2	Push Rod	1	5
1-3	Support	1	5
1-4	Pull Rod	1	5
1-5	Sponge	1	5
1-6	Holder	1	5
1-7	Pipe Sleeve	2	5
1-8	Screw	13	5
2	Pin	4	5
3	Fast Clip Gasket	4	5
4	Push Rod	1	5
5	Bolt	2	5
6	Push Rod	1	5
7	Stopcock	2	5
8	Quick Clamp Handle	4	5
9	Line Deduction	2	5
10	Screw	2	5
11	Adjusting Tooth	2	5
12	Upper Cover Assembly	1	5
12-1	Middle Cover	1	5
12-2	Screw	6	5

POS	DESCRIPTION	NUM	Availability years of spare parts
12-3	Nut	2	5
12-4	Flap Cover	1	5
12-5	Screw	11	5
12-6	Rear Cover	1	5
12-7	Shift Soft Plate	1	5
12-8	Shift Plate	1	5
12-9	Screw	2	5
12-10	Rear Cover Shaft	1	5
12-11	Spring	1	5
12-12	Split Washer	2	5
12-13	Top Cover	1	5
12-14	Handle	1	5
12-15	Elastic Ring For Shaft	2	5
12-16	Shaft	1	5
12-17	Spring	1	5
12-18	Button	1	5
12-19	Shield	1	5
12-20	Battery Pack BOX	1	5
12-21	Battery Pack Spring	1	5
12-22	Screw	4	5
12-23	Dust Proof Mate	2	5
13	Wheel Shaft Assembly	1	5
13-1	Rear Wheel Cap	1	5
13-2	Washer	2	5
13-3	Rear Wheel Shaft Assembly	1	5
13-4	Rear Wheel	2	5
13-5	Rear Wheel Cap	1	5
14	Axle Positioning Plate	2	5
15	Screw	4	5
16	Adjusting Spring	1	5
17	Gasket	1	5
18	Screw	1	5
19	Screw	1	5

POS	DESCRIPTION	NUM	Availability years of spare parts
20	Adjusting Lever	1	5
21	Chassis Component	1	5
21-1	Front Chassis	1	5
21-2	Screw	10	5
21-3	Grass Cutting Plate	1	5
21-4	Fixed Plate	1	5
21-5	Screw	8	5
21-6	Chassis	1	5
21-7	Sponge	1	5
21-8	Fixed Tooth	1	5
21-9	Screw	4	5
21-10	Fixed Tooth	1	5
21-11	Grass Guide Plate	1	5
21-12	Fixed Plate	1	5
21-13	Grass Cutting Plate	1	5
22	Grass Basket Components	1	5
22-1	Clippings Bag	1	5
22-2	Dashboard	1	5
22-3	Up Cover	1	5
22-4	Bag handle	1	5
22-5	Grass Basket Holder	1	5
22-6	Flat Washer	0	5
22-7	Screw	0	5
23	Front Wheel Shaft Assembly	1	5
23-1	Front Wheel Cap	1	5
23-2	Washer	2	5
23-3	Rear Wheel Shaft Assembly	1	5
23-4	Front Wheel	2	5
23-5	Front Wheel Cap	1	5
24	Gasket	2	5
25	Screw	2	5
26	Height Adjusting Assembly	1	5
26-1	Height Adjusting Pole	1	5

POS	DESCRIPTION	NUM	Availability years of spare parts
26-2	Torisional Spring	1	5
26-3	Connecting Pole	1	5
26-4	R Pin	1	5
27	Nut	2	5
28	Flat Washer	2	5
29	Screw	2	5
30	Screw	2	5
31	Brushless Electric Controller Assembly	1	5
32	Brushless Motor Assembly	1	5
33	629ZBearing	1	5
34	Gear Wheel	1	5
35	Output Shaft	1	5
36	Bearing	1	5
37	Screw	8	5
38	Fixed Seat	1	5
39	Screw	1	5
40	Fixed Plate	1	5
41	Blade	1	5
42	Blade Pressboard	1	5
43	Screw	1	5
44	40VCH1-3A.1	1	3
45	40VBA2-50.19	1	3