

EAN:3276007278620/3276007278644

PRODUCT COMPOSITION DETAILS

Code	Type of elements	QTY	Material		Covering / veneer / finishing
			Type : for wooden parts don't forget to fill in the sheet 4	Characteristics / dimensions	
1	BACK CLOTH	1		TEXTILENE 2X1	SEWING
2	SEAT CLOTH	1		TEXTILENE 2X1	SEWING
3	BACK FRAME TUBE	1		ALUMINUM	POWDER COATING
4	SEAT FRAME TUBE	1		ALUMINUM	POWDER COATING
5	SWING TUBE	1		ALUMINUM	POWDER COATING
6	PLASTIC RACK	2		PP	DARK GREY/LIGHT GREY
7	FRONT HORIZONTAL TUBE	1		ALUMINUM	POWDER COATING
8	SCREW 1	2		STAINLESS STEEL	GALVANIZED BLACK
9	SCREW 2	2		STAINLESS STEEL	GALVANIZED WHITE/BLACK
10	SCREW 3	6		STAINLESS STEEL	GALVANIZED WHITE/BLACK
11	PLASTIC CAP 1	8		PP	DARK GREY/LIGHT GREY
12	WHEELS	2		PP	BLACK
13	NUT	2		STEEL	BLACK
14	PLASTIC CAP 2	2		PP	DARK GREY/LIGHT GREY
15	PLASTIC CAP 4	4		PP	DARK GREY/LIGHT GREY
16	PLASTIC CAP 5	4		PP	DARK GREY/LIGHT GREY

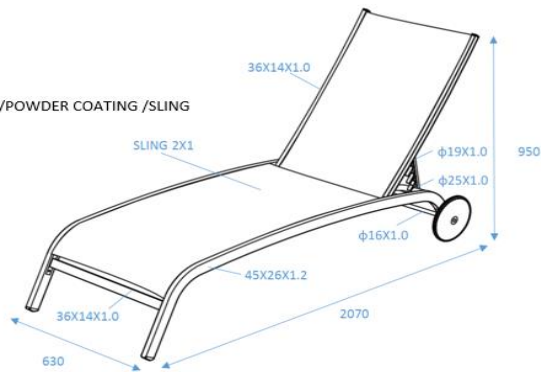
Exploded view / Numbered view (or photo)

Maxi loads on the Tops, shelves and extractable

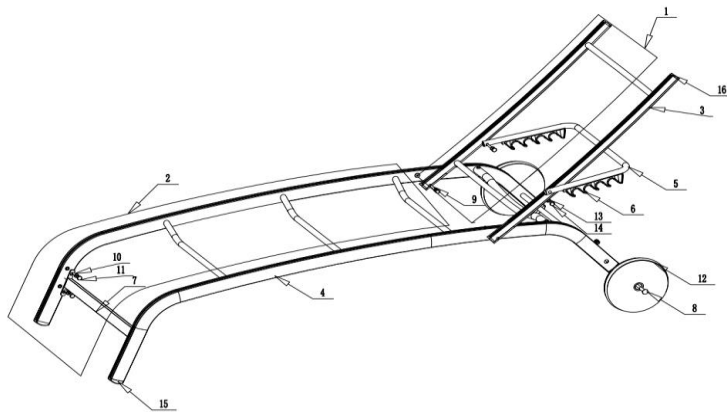
TECHNICAL DRAWING

UNIT: MM

TOLERANCE: +/-2%
SIZE: W630/D2070/H950
MATERIAL: ALUMINUM W/POWDER COATING /SLING



EXPLODED DRAWING



Defects to be avoided / Defects potentially seen

ILLUSTRATIONS

--	--	--

--	--	--

--	--	--