

Revision B:

- Parts number of STOP VALVE (LIQ) for MUZ-BT50VG - **E1**, **ER1**, **ET1** has been changed.

OBB850 REVISED EDITION-A is void.

OUTDOOR UNIT

**No. OBB850
REVISED EDITION-B**

PARTS CATALOG

Models

MUZ-BT20VG - **E1**, **ER1**, **ET1**

MUZ-BT25VG - **E1**, **ER1**, **ET1**

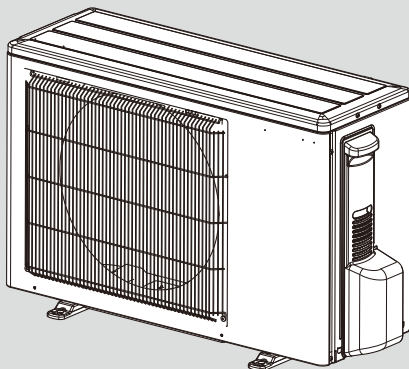
MUZ-BT35VG - **E1**, **ER1**, **ET1**

MUZ-BT50VG - **E1**, **ER1**, **ET1**

CONTENTS

1. SERVICE PARTS LIST..... 2

SERVICE MANUAL (OBH850)



Revision A:

• MUZ-BT20/25/35/50VG - **ER1** have been added.

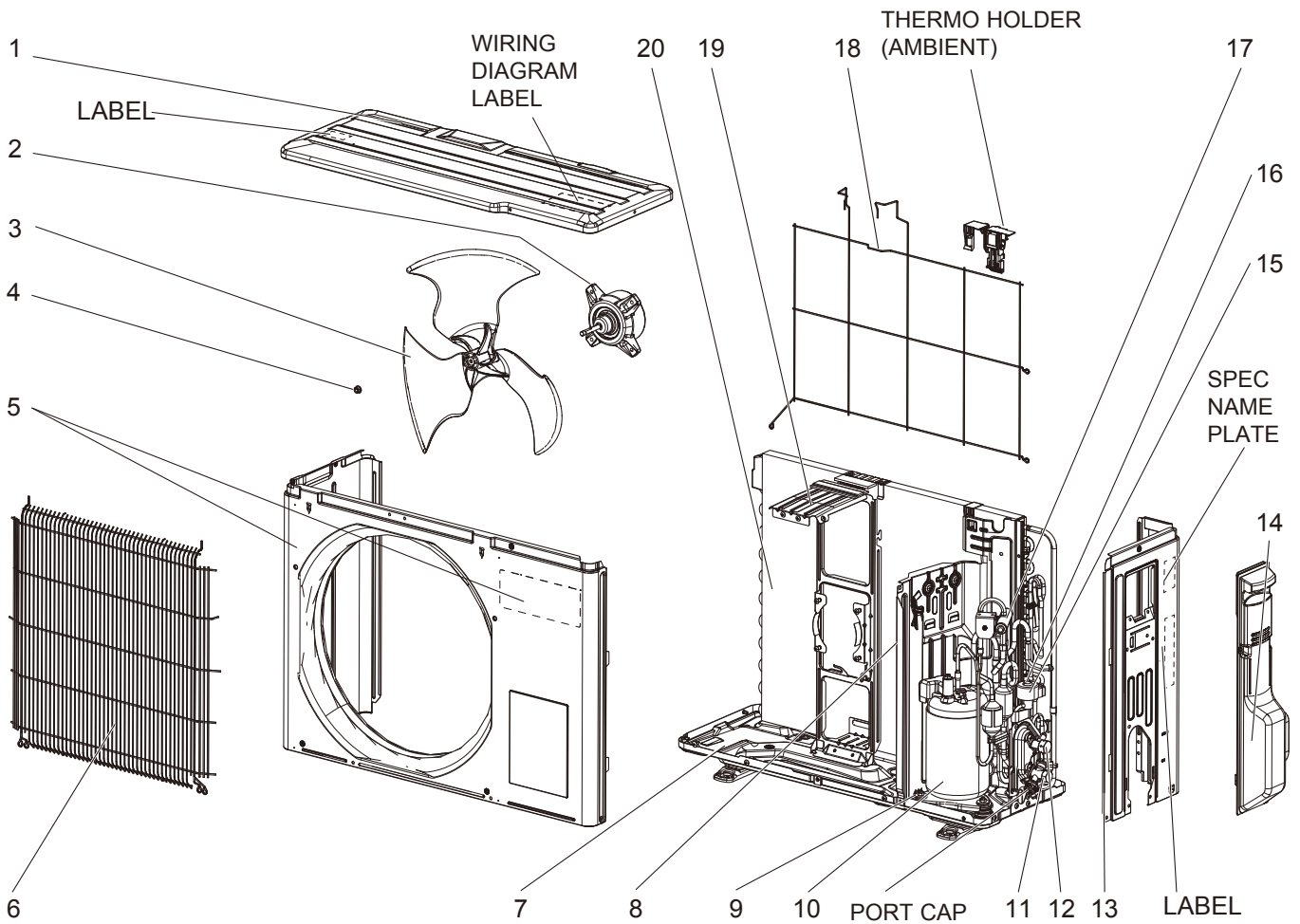
Revision B:

• Parts number of STOP VALVE (LIQ) for MUZ-BT50VG - **E1**, **ER1**, **ET1** has been changed.

1 SERVICE PARTS LIST

MUZ-BT20VG

1-1. OUTDOOR UNIT STRUCTURAL PARTS AND FUNCTIONAL PARTS



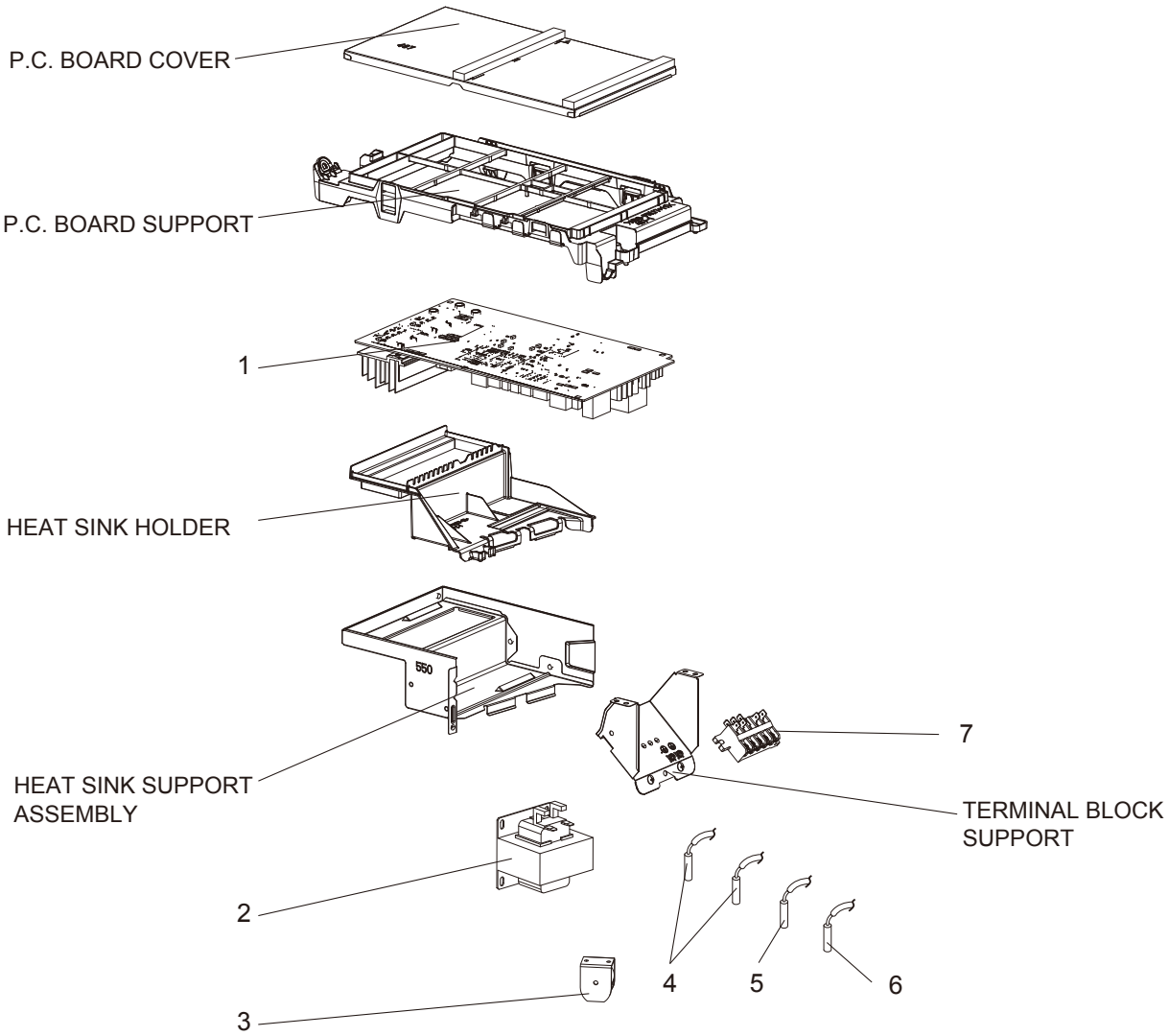
1-1. OUTDOOR UNIT STRUCTURAL PARTS AND FUNCTIONAL PARTS

1. The part quantity below indicates the required number of pieces per unit.
2. The circled No. indicates that the part is not shown in the figure.

No.	PARTS No.	Part No.	Symbol in Wiring Diagram	MUZ-BT20VG- E1	MUZ-BT20VG- ER1	MUZ-BT20VG- ET1	Remarks
1	E22 J98 297	TOP PANEL		1	1	1	
2	E22 95B 301	OUTDOOR FAN MOTOR	MF	1	1	1	RC0J20-□□
3	E22 95B 501	PROPELLER FAN		1	1	1	
4	E27 L05 508	PROPELLER FAN NUT		1	1	1	
5	E22 26K 232	CABINET		1	1	1	
6	E22 95B 521	GRILLE		1	1	1	
7	E22 26K 290	BASE		1	1	1	
8	E22 26K 293	SEPARATOR		1	1	1	
9	E22 065 506	COMPRESSOR RUBBER SET		3	3	3	3 PCS/set
10	E22 86F 900	COMPRESSOR KVB059FTMMC	MC	1	1	1	KVB059FTMMC
11	E22 26K 661	STOP VALVE (GAS)		1	1	1	ø9.52, pipe attached
12	E22 26K 662	STOP VALVE (LIQ)		1	1	1	ø6.35, pipe attached
13	E22 J98 233	BACK PANEL		1	1	1	
14	E22 J98 245	SERVICE PANEL		1	1	1	
15	E22 26K 493	EXPANSION VALVE COIL	LEV	1	1	1	
16	E22 26K 645	EXPANSION VALVE ASSEMBLY		1	1	1	Includes STOP VALVES (LIQ, GAS), LEV body, Capillary tubes
17	E22 39G 961	4-WAY VALVE		1	1	1	
18	E22 01C 523	CONDENSER WIRE NET		1	1	1	
19	E22 96B 515	MOTOR SUPPORT		1	1	1	
20	E22 26K 630	OUTDOOR HEAT EXCHANGER		1	1	1	
⑳	E22 26K 640	EXPANSION VALVE		1	1	1	LEV body
㉑	E22 95B 936	CAPILLARY TUBE		1	1	1	ø3.0×ø2.0×260, Close to Expansion valve
㉒	E22 527 936	CAPILLARY TUBE		1	1	1	ø4.0×ø2.4×100, Close to Expansion valve

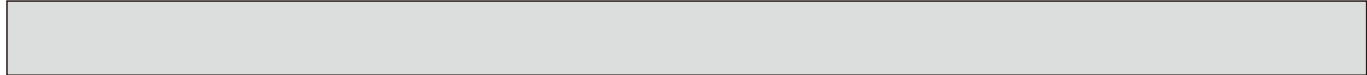
MUZ-BT20VG

1-2. OUTDOOR UNIT ELECTRICAL PARTS



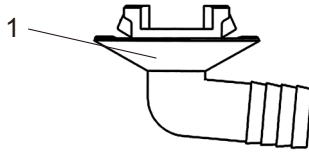
1. The part quantity below indicates the required number of pieces per unit.

No.	PARTS No.	Part Name	Symbol in Wiring Diagram	MUZ-BT20VG-ET	MUZ-BT20VG-ER1	MUZ-BT20VG-ET1	Remarks
1	E22 26K 451	INVERTER P.C. BOARD		1	1	1	Includes HEAT SINK and RT64
2	E22 G10 337	REACTOR	L61	1	1	1	
3	E22 39G 490	R.V. COIL	21S4	1	1	1	
4	E22 26K 306	THERMISTOR SET	RT61, RT62	1	1	1	
5	E22 88F 307	OUTDOOR HEAT EXCHANGER TEMPERATURE THERMISTOR	RT68	1	1	1	
6	E22 T39 309	AMBIENT TEMPERATURE THERMISTOR	RT65	1	1	1	
7	E22 T95 374	TERMINAL BLOCK	TB1	1	1	1	5P (S1, S2, S3, L, N)



MUZ-BT20VG

1-3. DRAIN SOCKET

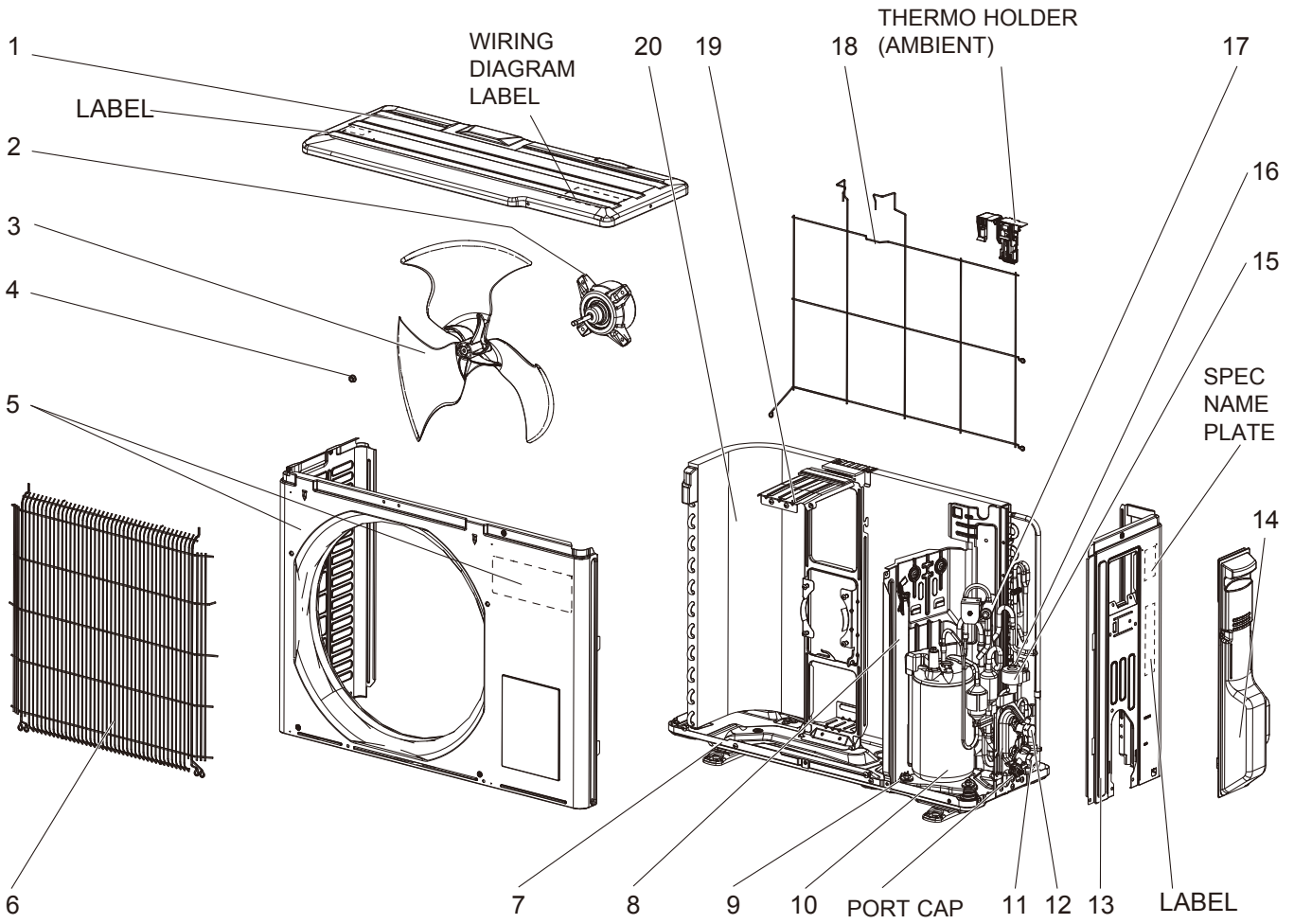


1. The part quantity below indicates the required number of pieces per unit.

No.	Part No.	Part Name	Symbol in Wiring Diagram	MUZ-BT20VG- E1	MUZ-BT20VG- ER1	MUZ-BT20VG- ET1	Remarks
1	E22 817 704	DRAIN SOCKET		1	1	1	

MUZ-BT25VG MUZ-BT35VG

1-4. OUTDOOR UNIT STRUCTURAL PARTS AND FUNCTIONAL PARTS



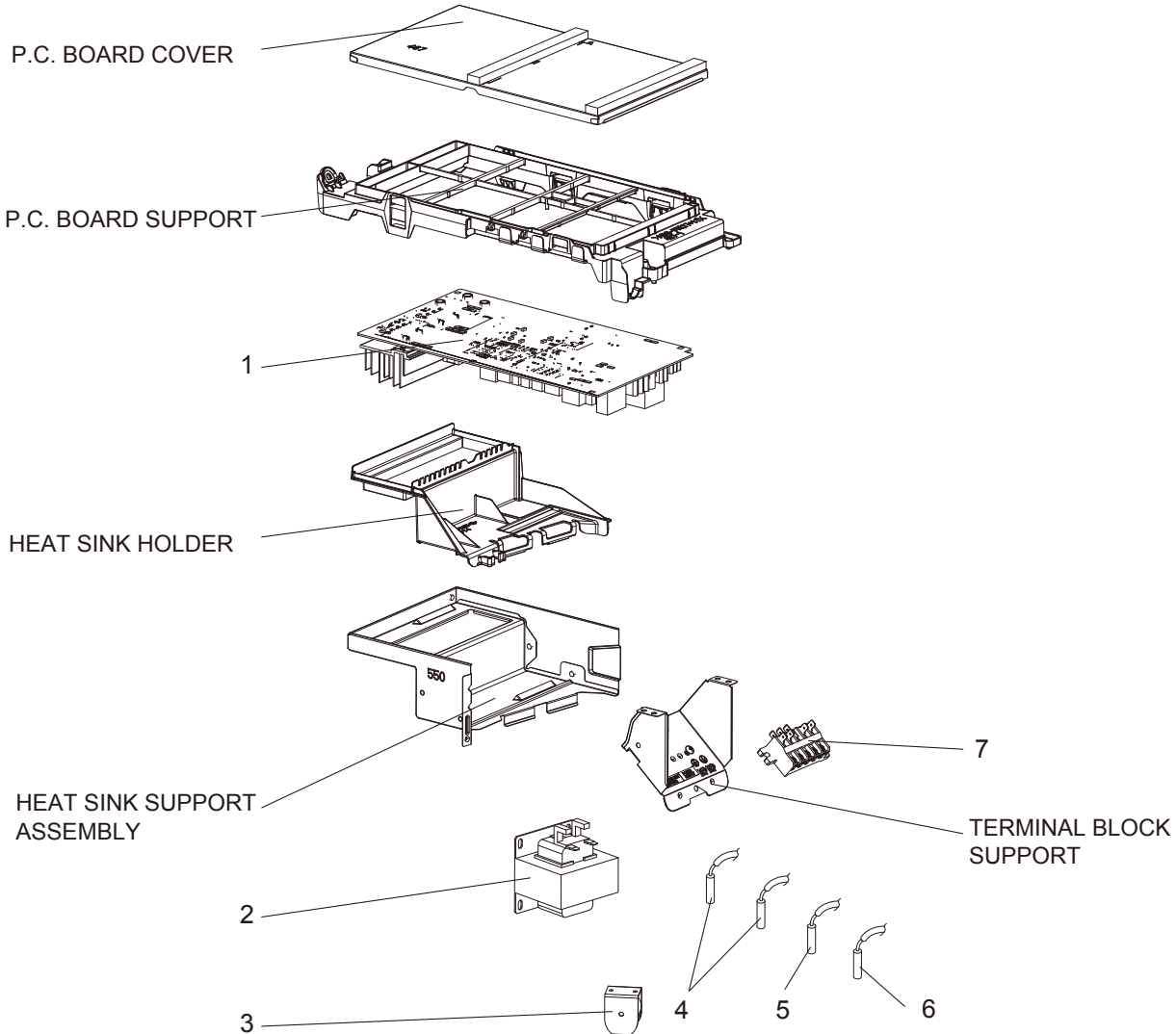
1-4. OUTDOOR UNIT STRUCTURAL PARTS AND FUNCTIONAL PARTS

1. The part quantity below indicates the required number of pieces per unit.
2. The circled No. indicates that the part is not shown in the figure.

No.	PARTS No.	Part No.	Symbol in Wiring Diagram	MUZ-BT25VG	MUZ-BT25VG	MUZ-BT25VG	MUZ-BT35VG	MUZ-BT35VG	Remarks
				-E1	-ER1	-ET1	-E1	-ER1	
1	E22 J98 297	TOP PANEL		1	1	1	1	1	
2	E22 95B 301	OUTDOOR FAN MOTOR	MF	1	1	1	1	1	RC0J20-□□
3	E22 95B 501	PROPELLER FAN		1	1	1	1	1	
4	E27 L05 508	PROPELLER FAN NUT		1	1	1	1	1	
5	E22 95B 232	CABINET		1	1	1	1	1	
6	E22 95B 521	GRILLE		1	1	1	1	1	
7	E22 J98 290	BASE		1	1	1	1	1	
8	E22 26K 293	SEPARATOR		1	1	1	1	1	
9	E22 065 506	COMPRESSOR RUBBER SET		3	3	3	3	3	3 PCS/set
10	E22 95B 900	COMPRESSOR KVB073FUXMC	MC	1	1	1	1	1	KVB073FUXMC
11	E22 26K 661	STOP VALVE (GAS)		1	1	1	1	1	ø9.52, pipe attached
12	E22 26K 662	STOP VALVE (LIQ)		1	1	1	1	1	ø6.35, pipe attached
13	E22 J98 233	BACK PANEL		1	1	1	1	1	
14	E22 J98 245	SERVICE PANEL		1	1	1	1	1	
15	E22 26K 493	EXPANSION VALVE COIL	LEV	1	1	1	1	1	
16	E22 26K 645	EXPANSION VALVE ASSEMBLY		1	1	1	1	1	Includes STOP VALVES (LIQ, GAS), LEV body, Capillary tubes
17	E22 39G 961	4-WAY VALVE		1	1	1	1	1	
18	E22 01C 523	CONDENSER WIRE NET		1	1	1	1	1	
19	E22 96B 515	MOTOR SUPPORT		1	1	1	1	1	
20	E22 27K 630	OUTDOOR HEAT EXCHANGER		1	1	1	1	1	
⑳	E22 26K 640	EXPANSION VALVE		1	1	1	1	1	LEV body
㉑	E22 95B 936	CAPILLARY TUBE		1	1	1	1	1	ø3.0×ø2.0×260, Close to Expansion valve
㉒	E22 527 936	CAPILLARY TUBE		1	1	1	1	1	ø4.0×ø2.4×100, Close to Expansion valve

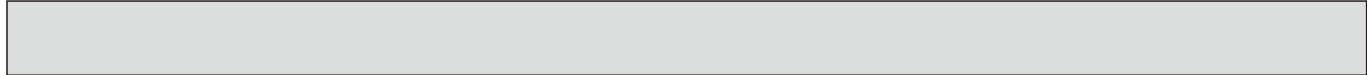
MUZ-BT25VG MUZ-BT35VG

1-5. OUTDOOR UNIT ELECTRICAL PARTS

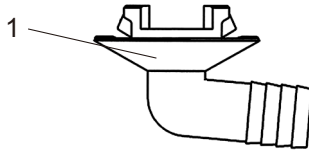


1. The part quantity below indicates the required number of pieces per unit.

No.	PARTS No.	Part Name	Symbol in Wiring Diagram	MUZ-BT25VG- E1	MUZ-BT25VG- ER1	MUZ-BT25VG- ET1	MUZ-BT35VG- E1	MUZ-BT35VG- ER1	MUZ-BT35VG- ET1	Remarks
1	E22 27K 451	INVERTER P.C. BOARD		1	1	1				Includes HEAT SINK and RT64
1	E22 28K 451	INVERTER P.C. BOARD					1	1	1	Includes HEAT SINK and RT64
2	E22 G10 337	REACTOR	L61	1	1	1	1	1	1	
3	E22 39G 490	R.V. COIL	21S4	1	1	1	1	1	1	
4	E22 26K 306	THERMISTOR SET	RT61, RT62	1	1	1	1	1	1	
5	E22 88F 307	OUTDOOR HEAT EXCHANGER TEMPERATURE THERMISTOR	RT68	1	1	1	1	1	1	
6	E22 T39 309	AMBIENT TEMPERATURE THERMISTOR	RT65	1	1	1	1	1	1	
7	E22 T95 374	TERMINAL BLOCK	TB1	1	1	1	1	1	1	5P (S1, S2, S3, L, N)



MUZ-BT25VG MUZ-BT35VG
1-6. DRAIN SOCKET

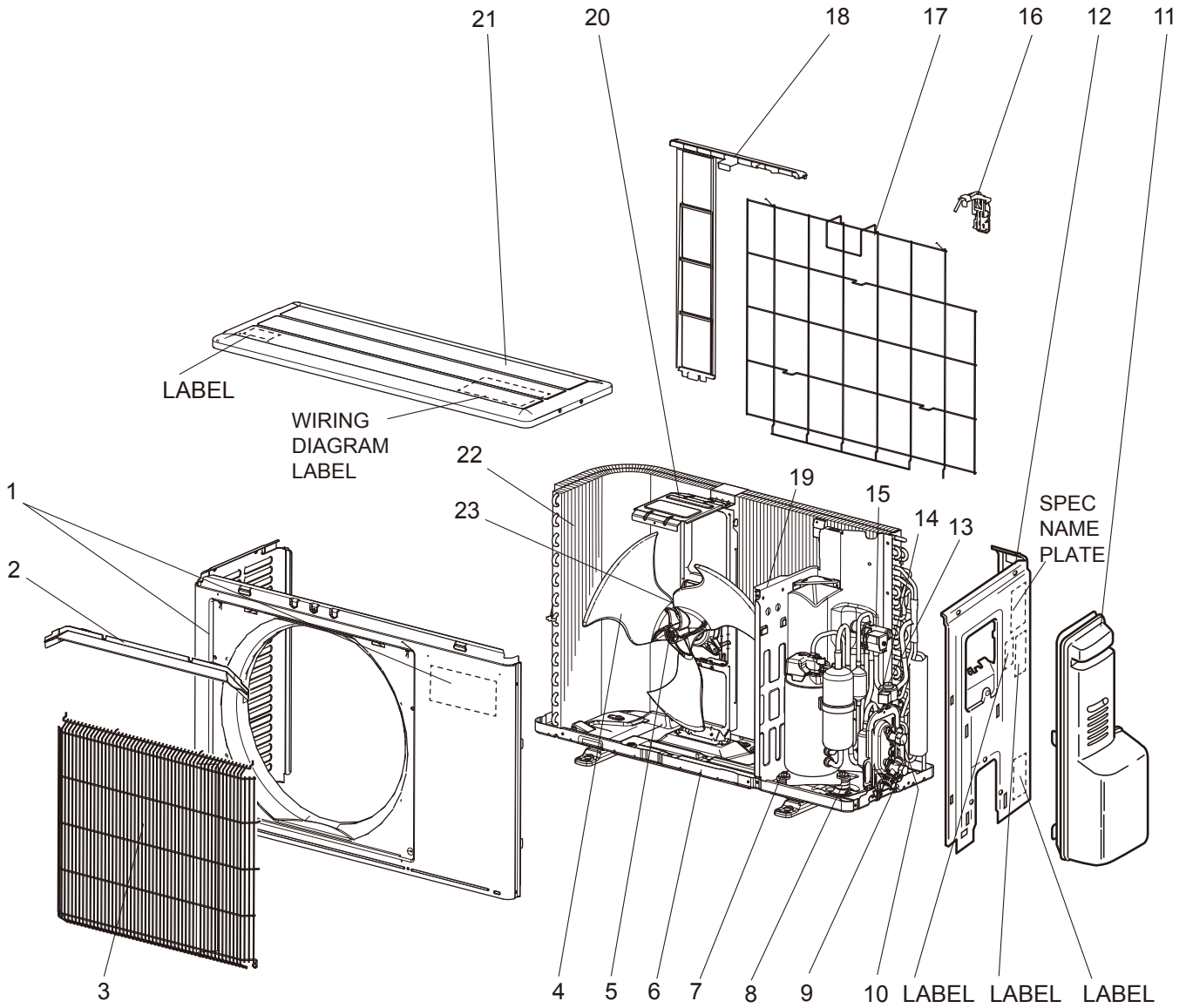


1. The part quantity below indicates the required number of pieces per unit.

No.	Part No.	Part Name	Symbol in Wiring Diagram	MUZ-BT25VG- E1	MUZ-BT25VG- ER1	MUZ-BT25VG- ET1	MUZ-BT35VG- E1	MUZ-BT35VG- ER1	MUZ-BT35VG- ET1	Remarks
				1	1	1	1	1	1	
1	E22 817 704	DRAIN SOCKET		1	1	1	1	1	1	

MUZ-BT50VG

1-4. OUTDOOR UNIT STRUCTURAL PARTS AND FUNCTIONAL PARTS



1-4. OUTDOOR UNIT STRUCTURAL PARTS AND FUNCTIONAL PARTS

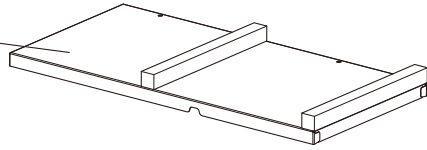
1. The part quantity below indicates the required number of pieces per unit.
2. The circled No. indicates that the part is not shown in the figure.

No.	Part No.	Part Name	Symbol in Wiring Diagram	MUZ-BT50VG- E1	MUZ-BT50VG- ER1	MUZ-BT50VG- ET1	Remarks
1	E22 J63 232	CABINET		1	1	1	
2	E22 J63 531	ICE GUARD		1	1	1	
3	E22 Y84 521	GRILLE		1	1	1	
4	E22 95B 501	PROPELLER FAN		1	1	1	
5	E27 L05 508	PROPELLER FAN NUT		1	1	1	
6	E22 Y84 290	BASE		1	1	1	
7	E22 R83 900	COMPRESSOR SVB130FBBMT	MC	1	1	1	SVB130FBBMT
8	E22 C34 506	COMPRESSOR RUBBER SET		3	3	3	3pcs/set
9	E22 29K 661	STOP VALVE (GAS)		1	1	1	ø12.7
10	E22 71M 662	STOP VALVE (LIQ)		1	1	1	ø6.35
11	E22 L59 245	SERVICE PANEL		1	1	1	
12	E22 G15 233	BACK PANEL		1	1	1	
13	E22 29K 645	EXPANSION VALVE ASSEMBLY		1	1	1	Includes LEV body, capillary tube
14	E22 29K 493	EXPANSION VALVE COIL	LEV	1	1	1	
15	E22 R81 961	4-WAY VALVE		1	1	1	
16	E22 930 079	THERMO HOLDER		1	1	1	for RT65
17	E22 930 525	CONDENSER WIRE NET		1	1	1	
18	E22 930 523	CONDENSER NET		1	1	1	
19	E22 G11 293	SEPARATOR		1	1	1	
20	E22 14F 515	MOTOR SUPPORT		1	1	1	
21	E22 L85 297	TOP PANEL		1	1	1	
22	E27 M72 630	OUTDOOR HEAT EXCHANGER		1	1	1	Includes capillary tube
23	E22 97B 301	OUTDOOR FAN MOTOR	MF	1	1	1	RC0J50-□□
②④	E27 M71 078	THERMO COVER		1	1	1	for RT65
②⑤	E22 29K 936	CAPILLARY TUBE		1	1	1	ø3.0 × ø2.0 × 240
②⑥	E22 838 704	DRAIN SOCKET		1	1	1	

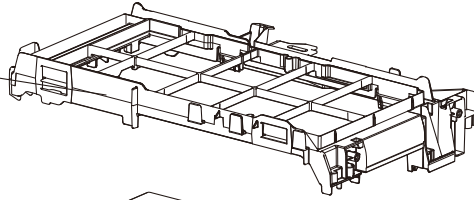
MUZ-BT50VG

1-5. OUTDOOR UNIT ELECTRICAL PARTS

P.C. BOARD COVER

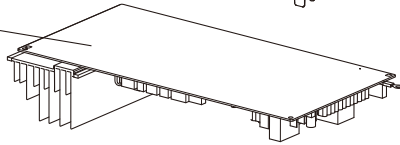


P.C. BOARD SUPPORT

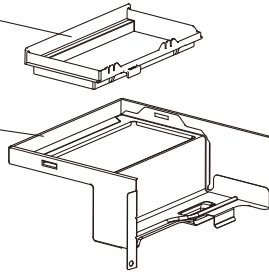


1

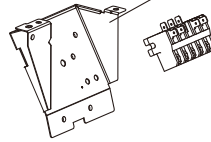
HEAT SINK
HOLDER ASSEMBLY



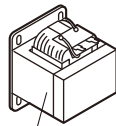
HEAT SINK
SUPPORT ASSEMBLY



TERMINAL BLOCK
SUPPORT



7



2



3



4



5



6



1-5. OUTDOOR UNIT ELECTRICAL PARTS

1. The part quantity below indicates the required number of pieces per unit.

No.	Part No.	Part Name	Symbol in Wiring Diagram	MUZ-BT50VG- E1	MUZ-BT50VG- ER1	MUZ-BT50VG- ET1	Remarks
1	E22 29K 451	INVERTER P.C. BOARD		1	1	1	Includes HEAT SINK and RT64
2	E22 20A 337	REACTOR	L61	1	1	1	
3	E22 C34 306	THERMISTOR SET	RT61,RT62	1	1	1	DEFROST, DISCHARGE
4	E22 927 308	AMBIENT TEMPERATURE THERMISTOR	RT65	1	1	1	
5	E22 C34 307	OUTDOOR HEAT EXCHANGER TEMPERATURE THERMISTOR	RT68	1	1	1	
6	E22 J47 490	R.V. COIL	21S4	1	1	1	
7	E22 T95 374	TERMINAL BLOCK	TB1	1	1	1	5P (S1, S2, S3, L, N)

MITSUBISHI ELECTRIC CORPORATION

HEAD OFFICE: TOKYO BUILDING, 2-7-3, MARUNOUCHI, CHIYODA-KU, TOKYO 100-8310, JAPAN

© Copyright 2019 MITSUBISHI ELECTRIC CORPORATION

Issued: May 2020. No. OBB850 REVISED EDITION-B

Issued: Dec. 2019. No. OBB850 REVISED EDITION-A

Published: Oct. 2019. No. OBB850

Made in Japan

Specifications are subject to change without notice.