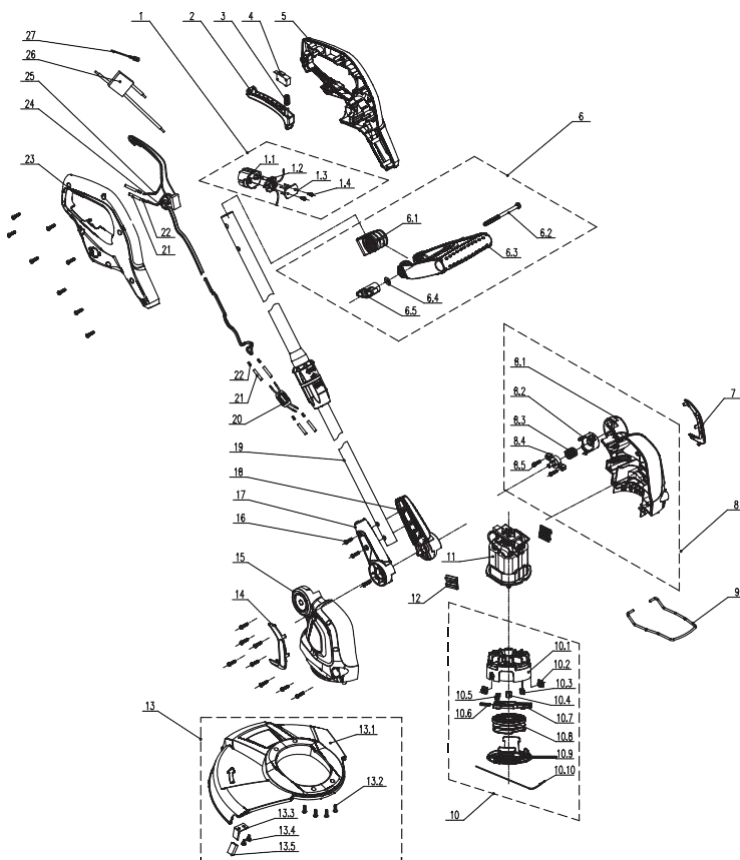


6.4 EXPLODED VIEW



POS	REFERENCE	DESCRIPTION	5	8001-522601	Left handle
1	8440-531712	Plug socket assembly	6	8440-522701	Auxiliary handle assembly
2	8044-533701	Switch trigger	7	A043022-003	Decorative cover
3	8342-740201	Button spring	8	A031034-002	Left housing assembly
4	8042-620101	The micro switch	9	8291-522701	Flower guard

POS	REFERENCE	DESCRIPTION
10	A031034-006	Trimming head assembly
11	A031034-005	Motor assembly
12	8341-692201	Rubber
13	8440-523820	Spindle guard assembly
14	A043022-004	Decorative cover
15	A031034-004	Right housing

16	8SJGB40-16	"Compound groove pan head tapping screw"
17	8024-522702	Right cover aluminum tube
18	8024-522701	Left cover aluminum tube
19	8440-523802	Connecting tube assembly
20-22		Electronic components
23	8001-522602	Right handle
24-27		Electronic components