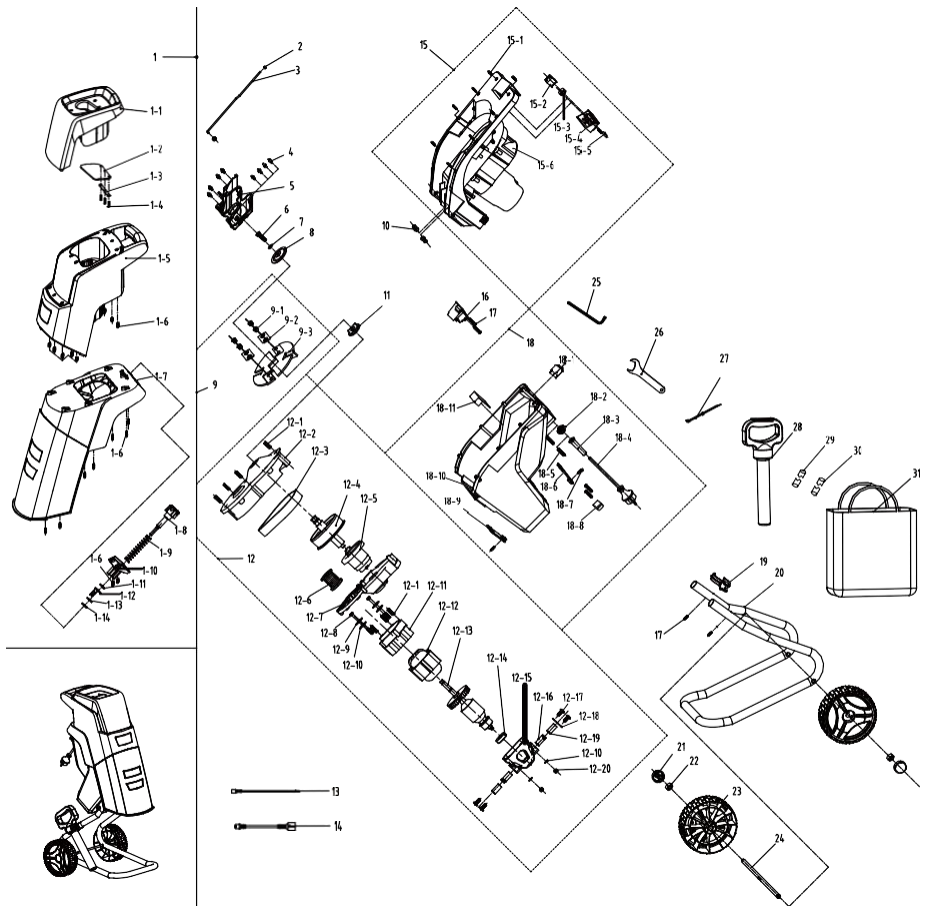


## 74 EXPLODED VIEW



| POS | DESCRIPTION       |
|-----|-------------------|
| 1   | Upperhousingassy' |
| 2   | Pin               |
| 3   | Nut               |
| 4   | Rod               |
| 5   | Screw             |
| 6   | Block board       |

|    |                    |
|----|--------------------|
| 7  | Screw              |
| 8  | Gasket             |
| 9  | Mound layer        |
| 10 | Blade assy'        |
| 11 | Transmission chunk |
| 12 | Screw              |
| 13 | Transmission chunk |

|    |                    |
|----|--------------------|
| 14 | Screw              |
| 15 | Base housing assy' |
| 16 | Wind screen        |
| 17 | Screw              |
| 18 | Shrinkable sleeve  |
| 19 | Shrinkable sleeve  |
| 20 | Connective wire    |

| POS | DESCRIPTION     |
|-----|-----------------|
| 21  | Connective wire |
| 22  | Cable ties      |

|    |                                  |
|----|----------------------------------|
| 23 | Motor box assy'                  |
| 24 | Wheel, holder, feed hopper assy' |

|    |                |
|----|----------------|
| 25 | Spanner        |
| 26 | Spanner        |
| 27 | Collection bag |