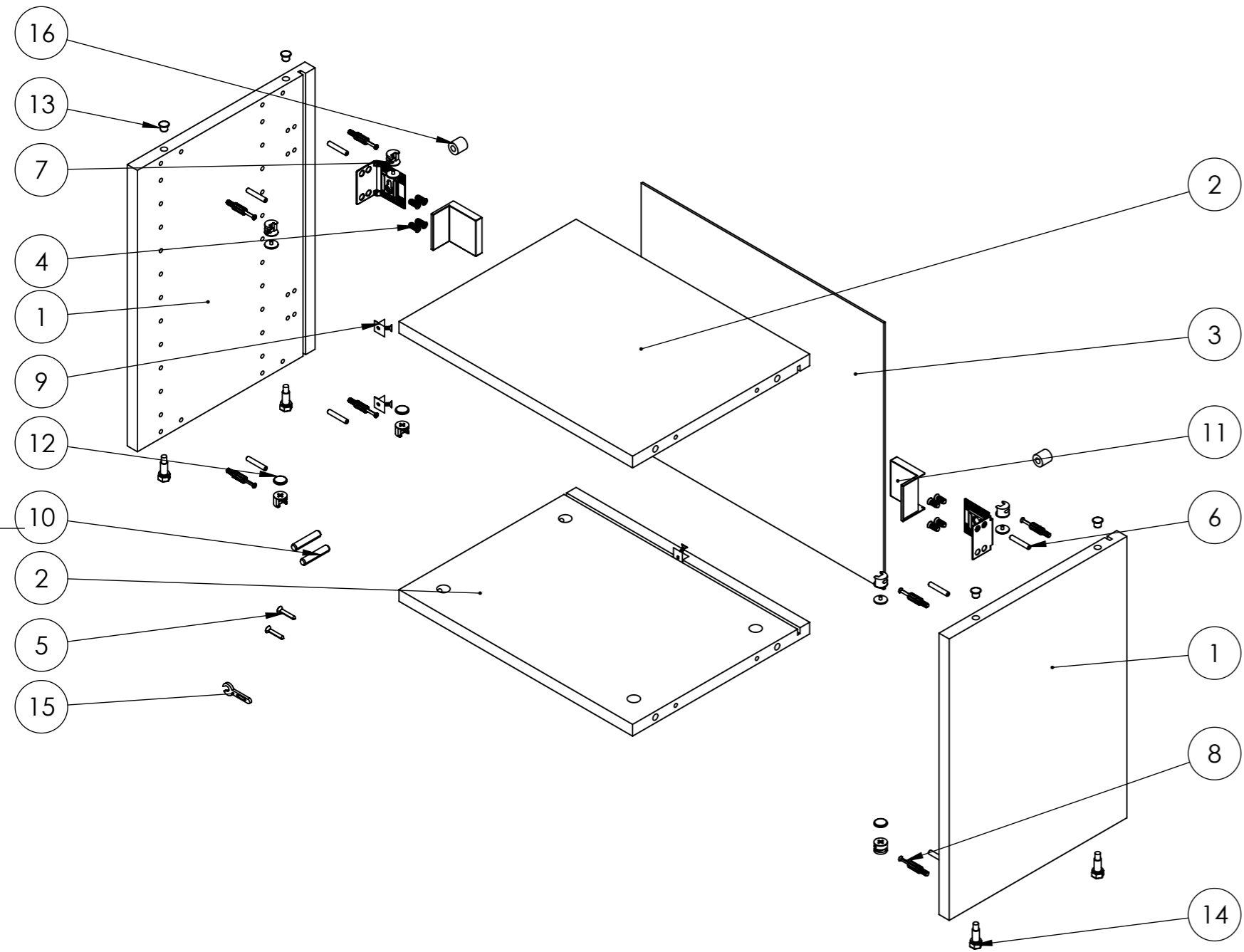
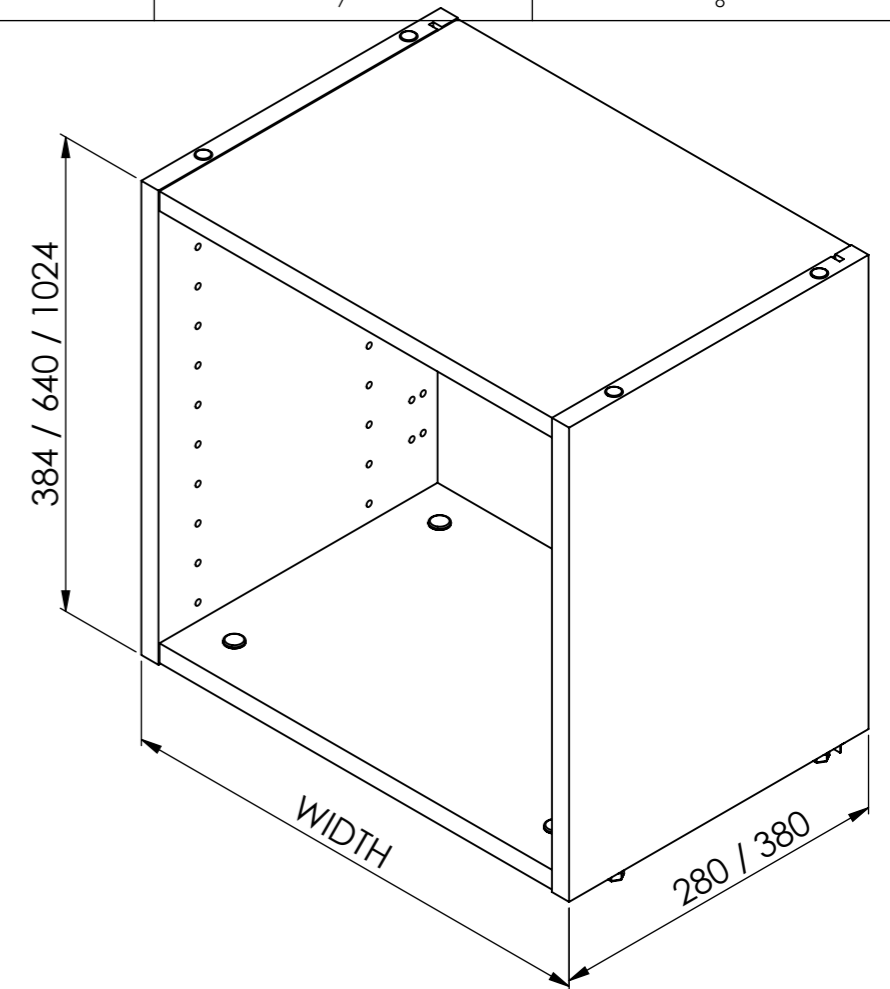


SPACEO HOME CABINETS

DEPTH 280 / 380
HEIGHT 384 / 640 / 1024



REP	QTE	PART NUMBER	REV	DESCRIPTION
1	2	23R14P03-CABI-1	D	SIDE PANEL - PARAMETRIC
2	2	23R14P03-CABI-2	E	TOP / BOTTOM PANEL - PARAMETRIC
3	1	23R14P03-CABI-3	F	BACK PANEL - PARAMETRIC
4	8	ADEO-0001-0002	B	EuroscREW D6.2x13.5
5	2	ADEO-0001-0046	C	Wood screw Ø4x25
6	8	ADEO-0002-0002	B	Wood dowel
7	8	ADEO-0002-0003	C	Eccentric box P12 D15
8	8	ADEO-0002-0004	C	Eccentric axle L34
9	6	ADEO-0002-0008	B	Back panel lock
10	2	ADEO-0002-0010	A	Wood dowel Ø 8x40
11	2	ADEO-0003-0009	C	Wall bracket
12	8	ADEO-0005-0002	A	Cover cap Ø 15
13	4	ADEO-0005-0003	A	Cover cap Ø 8
14	4	ADEO-0006-0004	A	Foot adjustable
15	1	ADEO-0007-0002	A	Open-ended spanner
16	2	ADEO-0008-0002	C	SPACER

Romain DEBOVE

Yann THEIL



MATERIAL:		DO NOT SCALE DRAWING		SHEET 2 OF 8
SURFACE:		REFERENCE:		
LINEAR TOLERANCE: mm		23R14P03-CABI-0 I		
ANGULAR TOLERANCE: deg				
WEIGHT: 5885.65 g		DESCRIPTION:		
SCALE: 1:10	UNIT: mm	CABINET - PARAMETRIC		
AUTOR: A.Przadka	CHECKER: A.Przadka	This drawing is the exclusive property of ADEO. Any reproduction in part or whole without the written permission of ADEO is prohibited.		
STATUS:				
DATE: 14/09/2022				